

### SPECIFICATION:

**MATERIAL:**

Main construction - Mild Steel  
Sheeting - Colourbond Corrugated BMT 0.42mm 762mm

**DIMENSIONS:**

mm unless otherwise stated

**FINISH:**

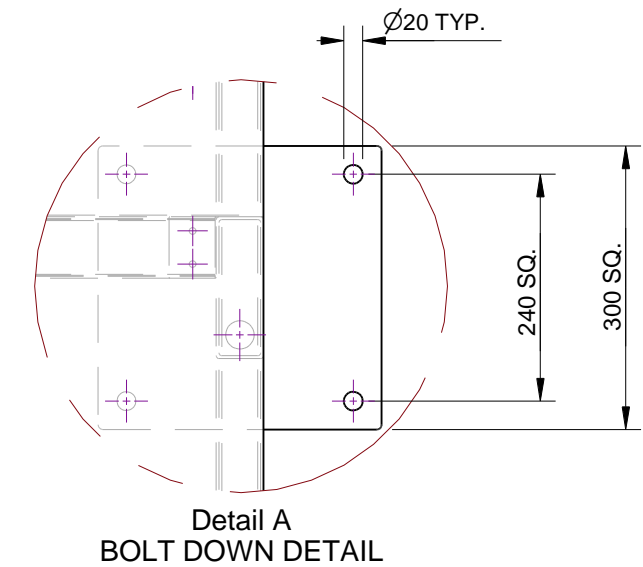
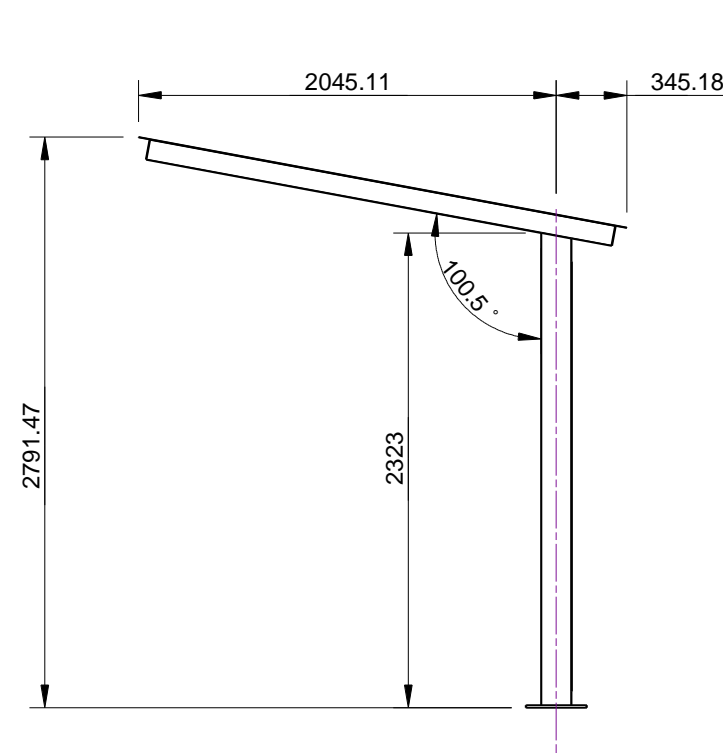
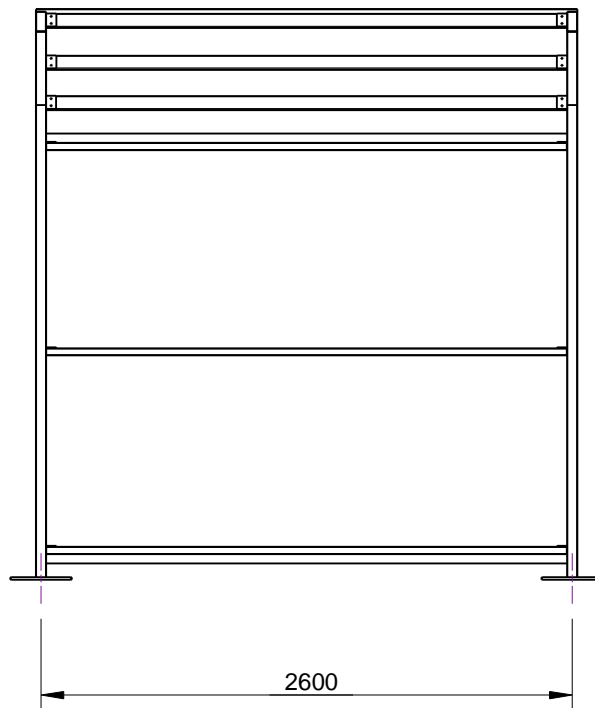
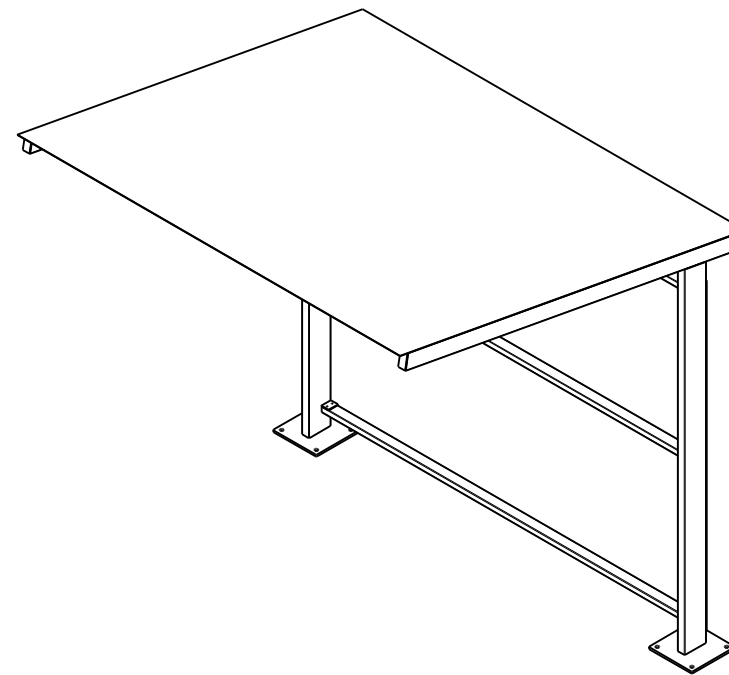
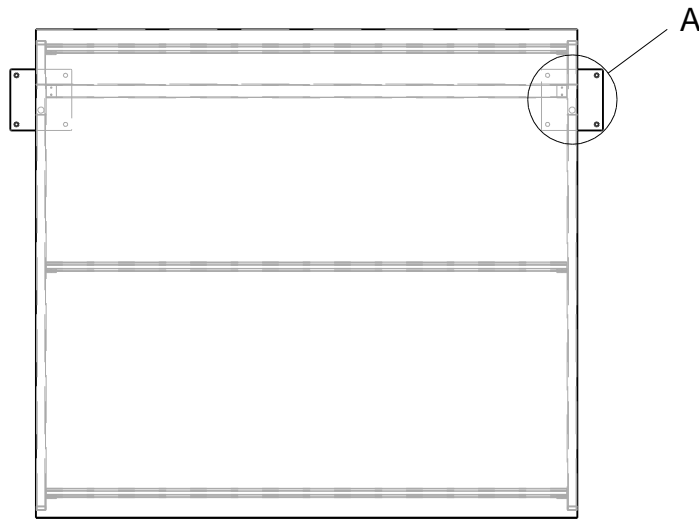
Steel - Galvanised with optional powdercoat  
Sheeting - Colourbond (optional colours)

**GROUND ATTACHEMENT:**

Bolt down

**STRUCTURAL ENGINEERING:**

Job No. 090313 - GC Nixon & Associates  
Drawing No. S2 Rev A, Dated 17-06-09



REVISION #	DESCRIPTION	BY	DATE	DRAWN	DRAWN DATE	CHECKED	CHECKED DATE	SCALE	A3
1	ORIGINAL DRAWING	SJ	14.2.11	R.CRUGHTON	11.2.14			N/A	
2	FULL PRODUCT REVIEW	RBC	11.2.14						
3									
4									
5									

CANTILEVER SHELTER 2600mm CENTRES SPEC.

FFSB005001

REV. 2 SHEET 1 OF 3

**SPECIFICATION:**

**MATERIAL:**

Main construction - Mild Steel  
Sheeting - Colourbond Corrugated BMT 0.42mm 762mm

**DIMENSIONS:**

mm unless otherwise stated

**FINISH:**

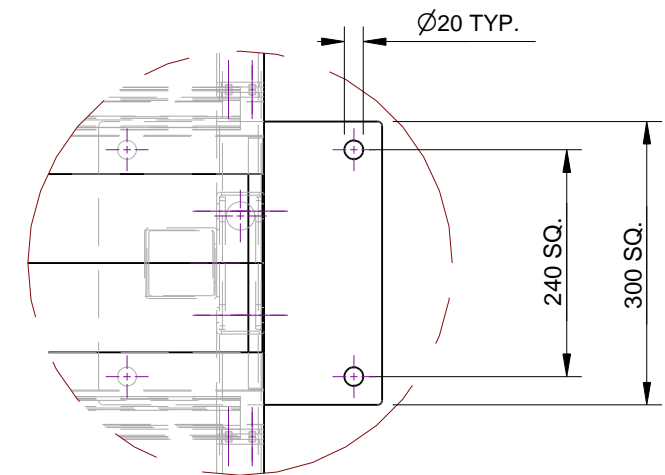
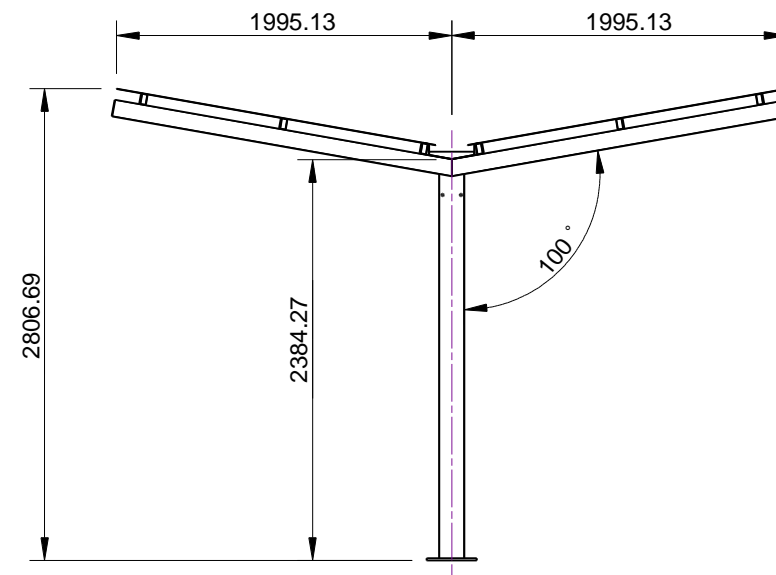
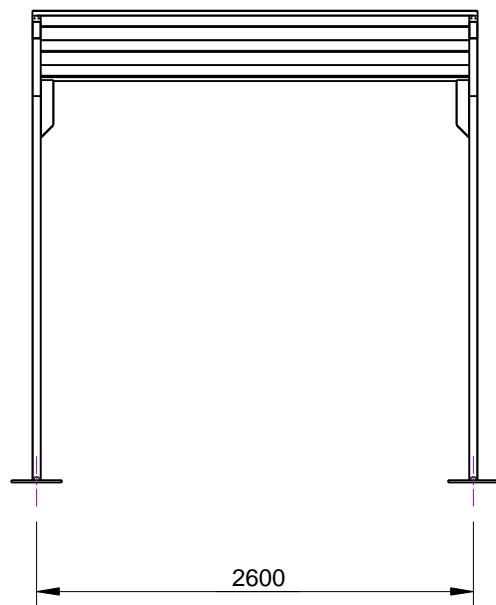
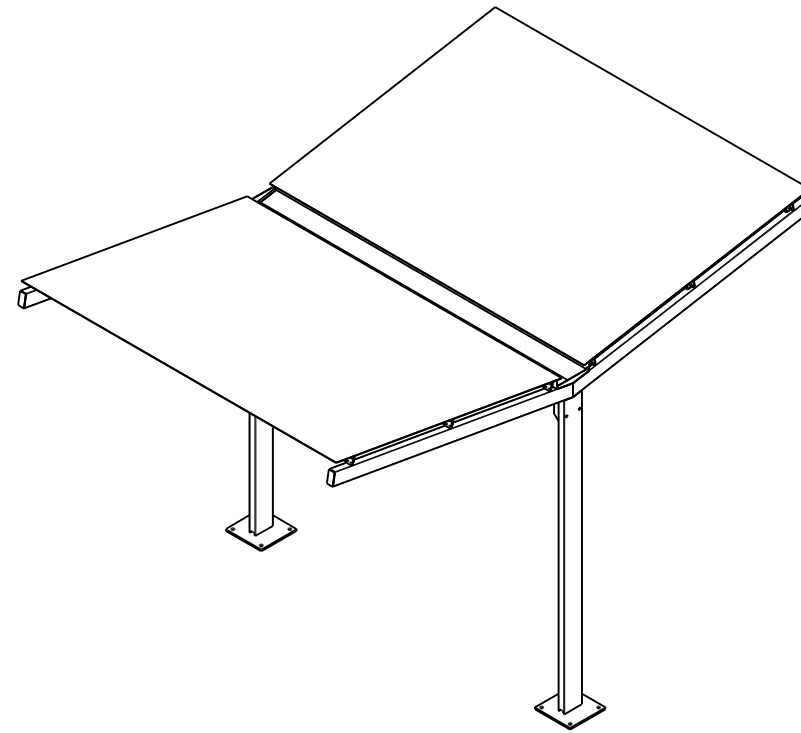
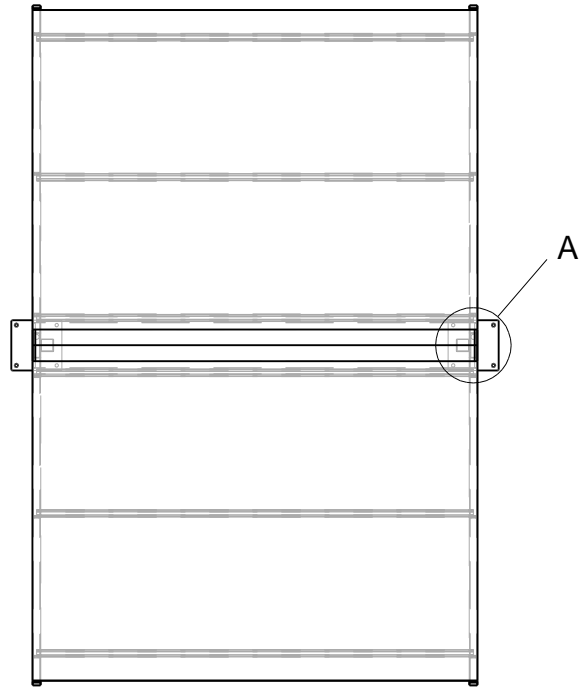
Steel - Galvanised with optional powdercoat  
Sheeting - Colourbond (optional colours)

**GROUND ATTACHEMENT:**

Bolt down

**STRUCTURAL ENGINEERING:**

Job No. 100511 - GC Nixon & Associates



Detail A  
BOLT DOWN DETAIL

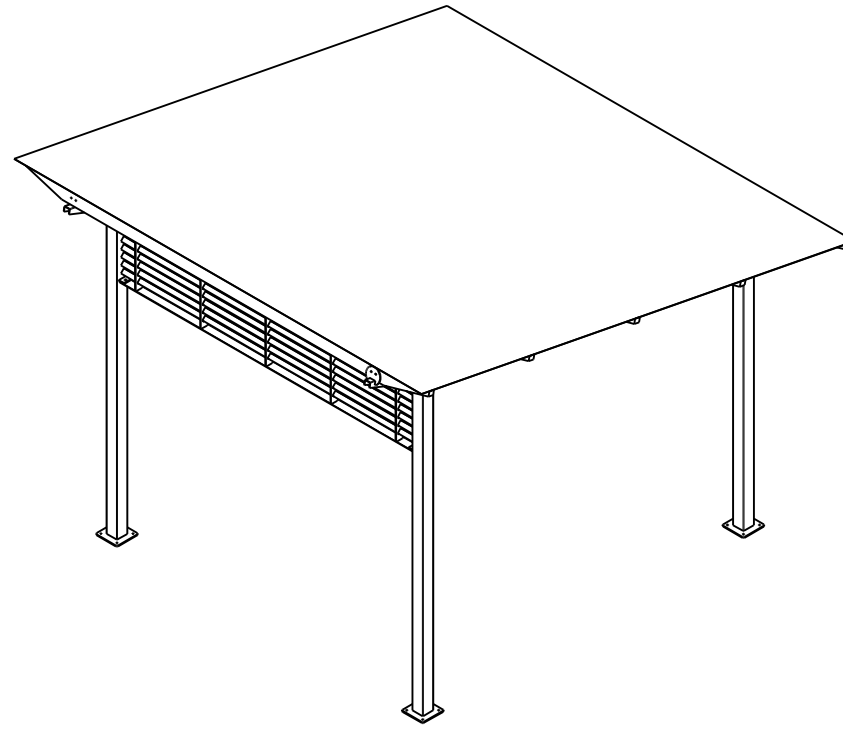
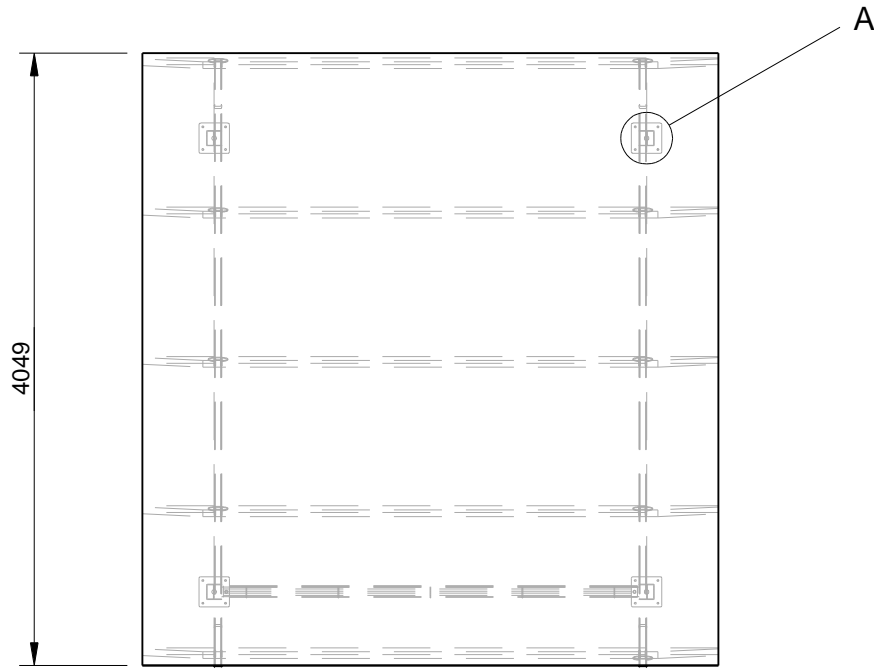
REVISION #	DESCRIPTION	BY	DATE	DRAWN	DRAWN DATE	CHECKED	CHECKED DATE	SCALE
1	ORIGINAL DRAWING	SJ	7.7.10	R.CRUGHTON	13.2.14			N/A
2	FULL PRODUCT REVIEW	RBC	13.2.14					
3								
4								
5								

DUAL CANTILEVER SHELTER 2600mm CENTRES SPEC.

FFSB005006

REV. 2

SHEET 1 OF 3



**SPECIFICATION:**

**MATERIAL:**

Main construction - Mild Steel & Timber  
Sheeting - Colourbond Corrugated BMT 0.42mm 762mm

**DIMENSIONS:**

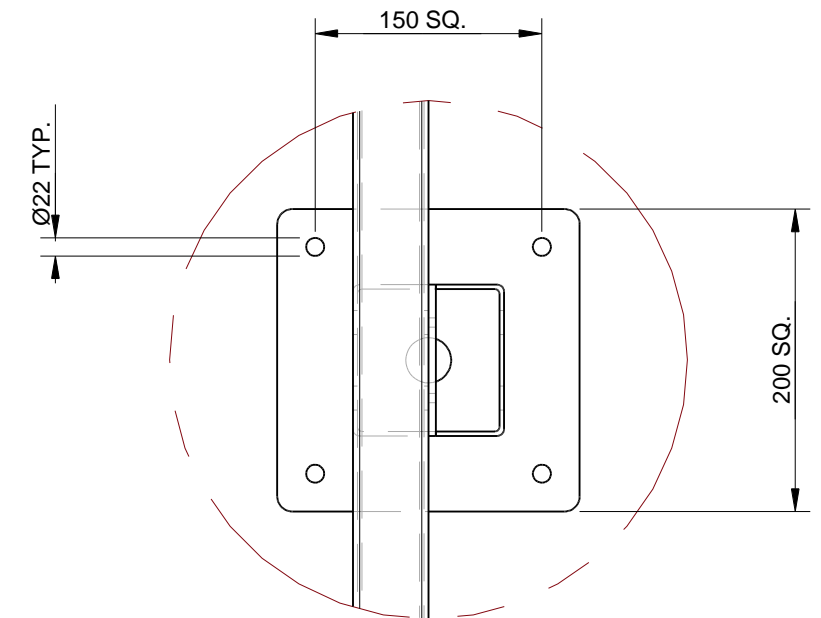
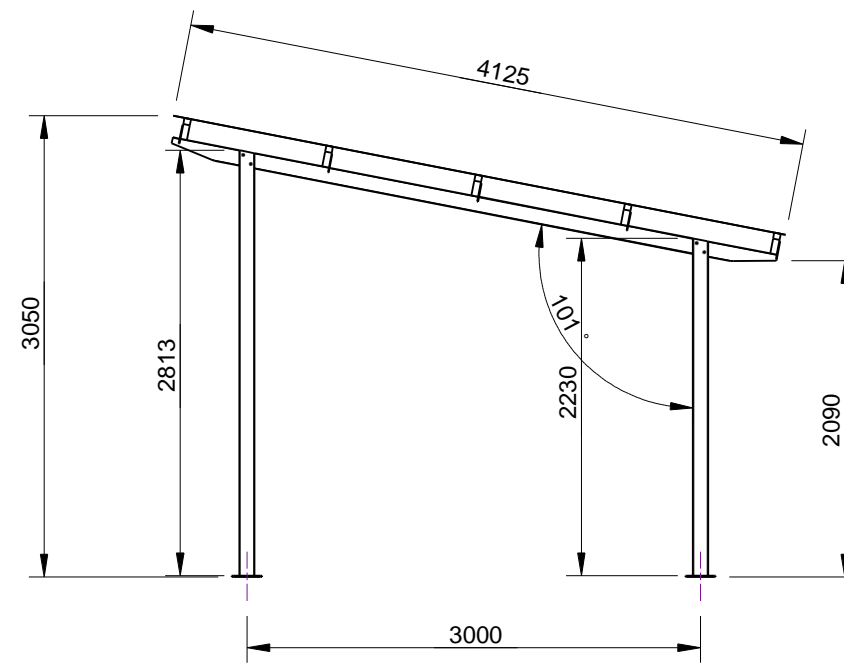
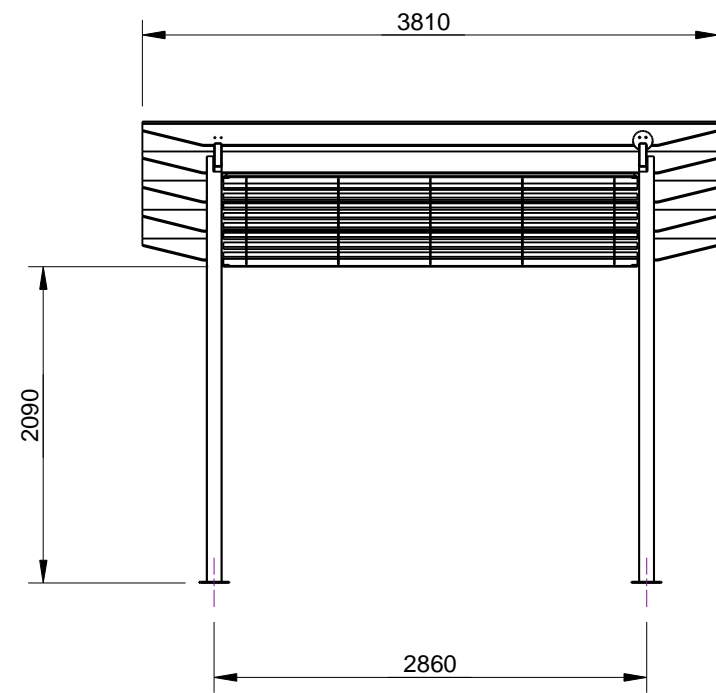
mm unless otherwise stated

**FINISH:**

Steel - Galvanised with optional powdercoat  
Sheeting - Colourbond (optional colours)  
Timber - Treated Pine

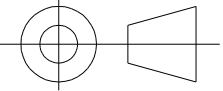
**GROUND ATTACHMENT:**


Bolt down



Detail A  
BOLT DOWN DETAIL  
ROOF HIDDEN FOR CLARRITY

REVISION #	DESCRIPTION	BY	DATE	DRAWN	DRAWN DATE	CHECKED	CHECKED DATE	SCALE
1	ORIGINAL DRAWING	SJ	10.4.10	R.CRUGHTON	25.2.14			N/A
2	FULL PRODUCT REVIEW	RBC	25.2.14					
3								
4								
5								



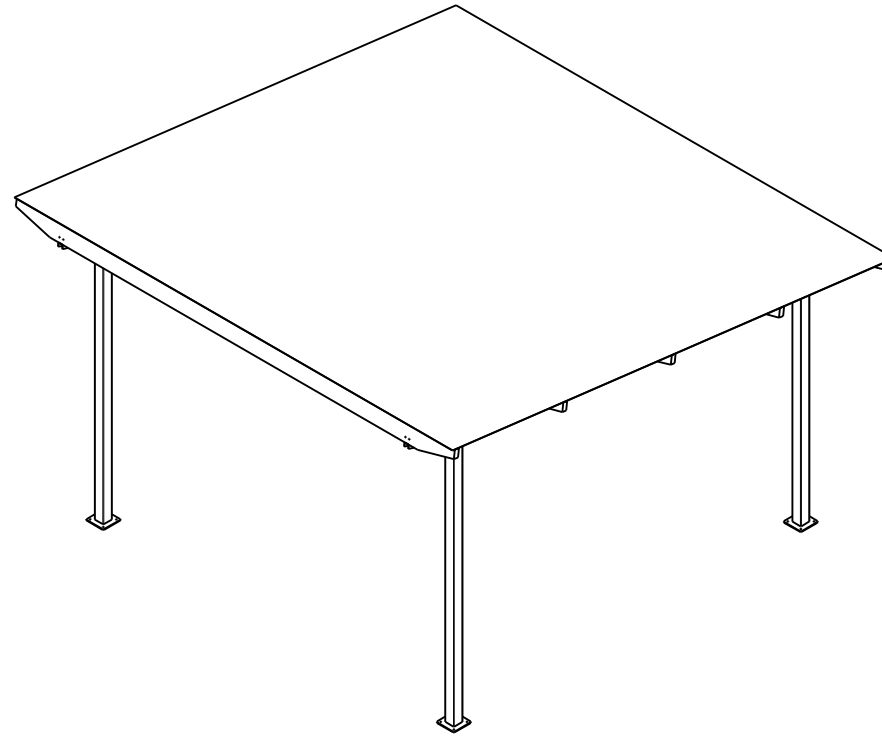
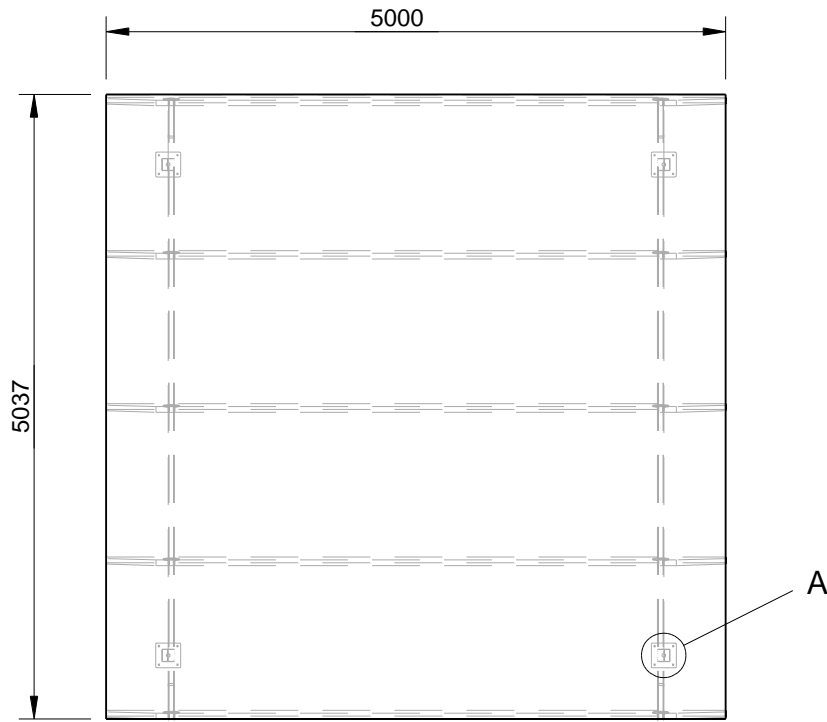


PROVINCIAL SHELTER  
SPEC.

FFSB005011

REV. 2

SHEET 1 OF 3



**SPECIFICATION:**

**MATERIAL:**

Main construction - Mild Steel & Timber  
Sheeting - Colourbond Corrugated BMT 0.42mm 762mm

**DIMENSIONS:**

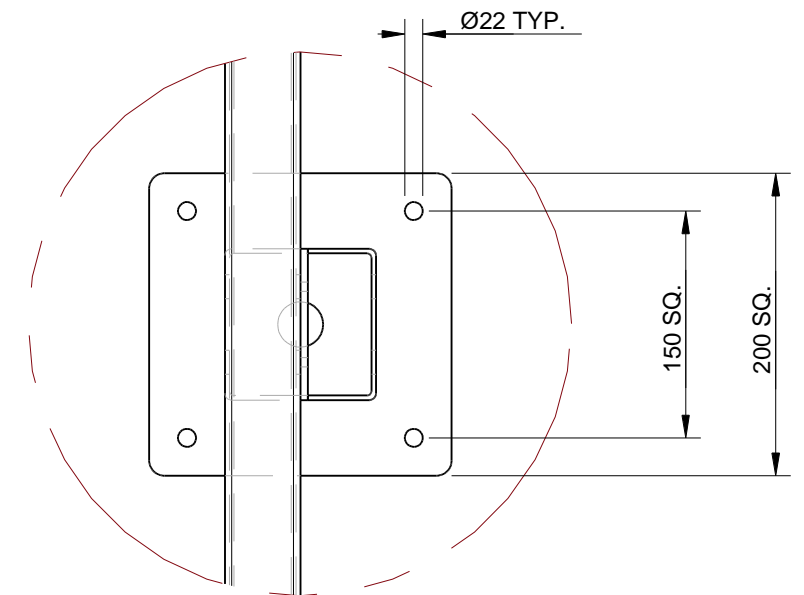
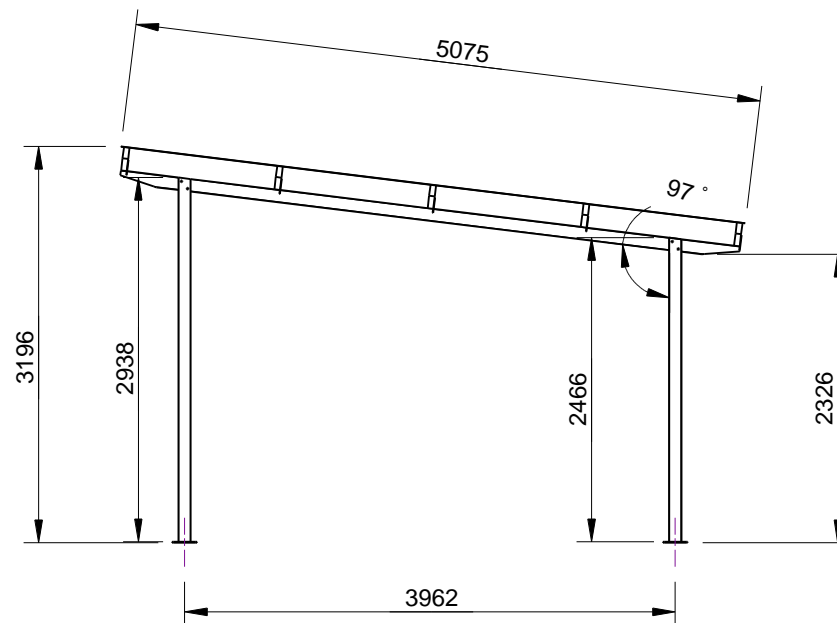
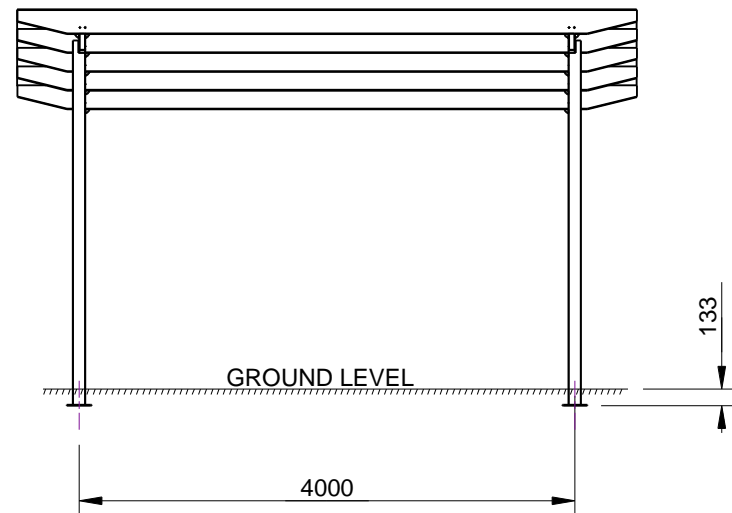
mm unless otherwise stated

**FINISH:**

Steel - Galvanised with optional powdercoat  
Sheeting - Colourbond (optional colours)  
Timber - Treated Pine

**GROUND ATTACHEMENT:**

Bolt down (Sub surface)



Detail A  
BOLT DOWN DETAIL  
ROOF HIDDEN FOR CLARRITY

REVISION #	DESCRIPTION	BY	DATE	DRAWN	DRAWN DATE	CHECKED	CHECKED DATE	SCALE
1	ORIGINAL DRAWING	SJ	20.10.10	R.CRUGHTON	4.3.14			N/A
2	FULL PRODUCT REVIEW	RBC	3.4.14					
3								
4								
5								

PROVINCIAL SHELTER (5x5)  
SPEC.

FFSB005018

REV. 2

SHEET 1 OF 3