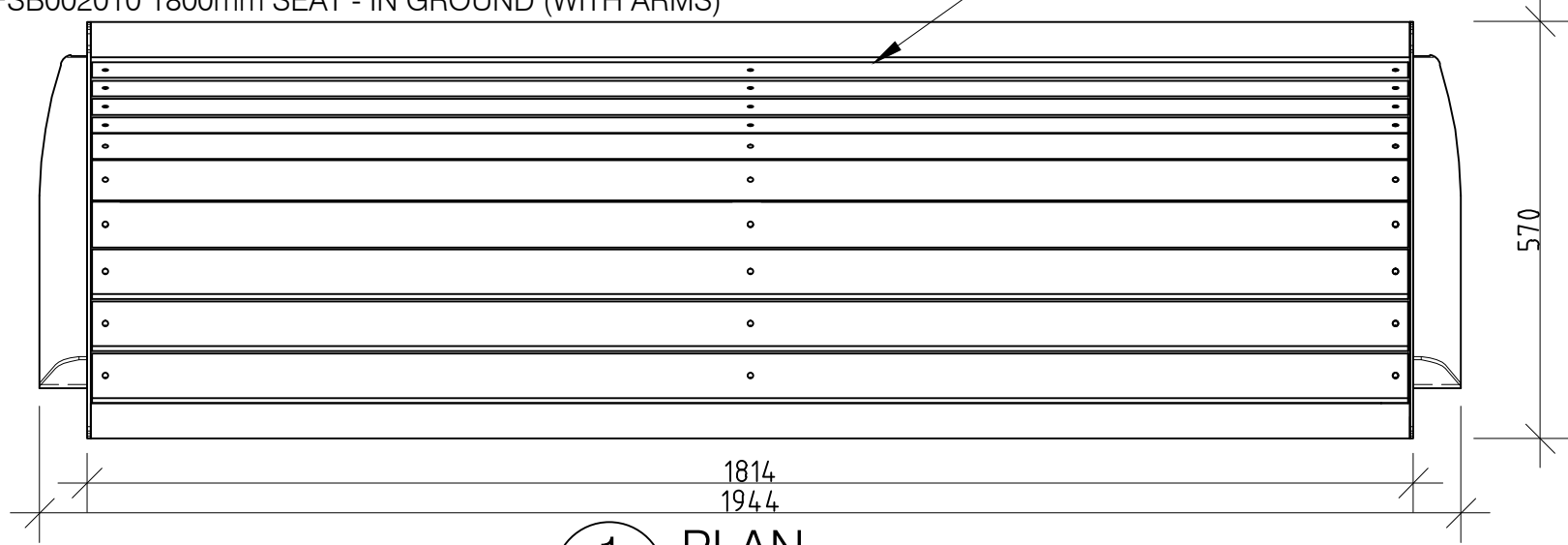


# WOODGROVE SETTING SERIES

FFSB002010 1800mm SEAT - IN GROUND (WITH ARMS)

ALL DIMENSIONS IN MILLIMETRES - DO NOT SCALE

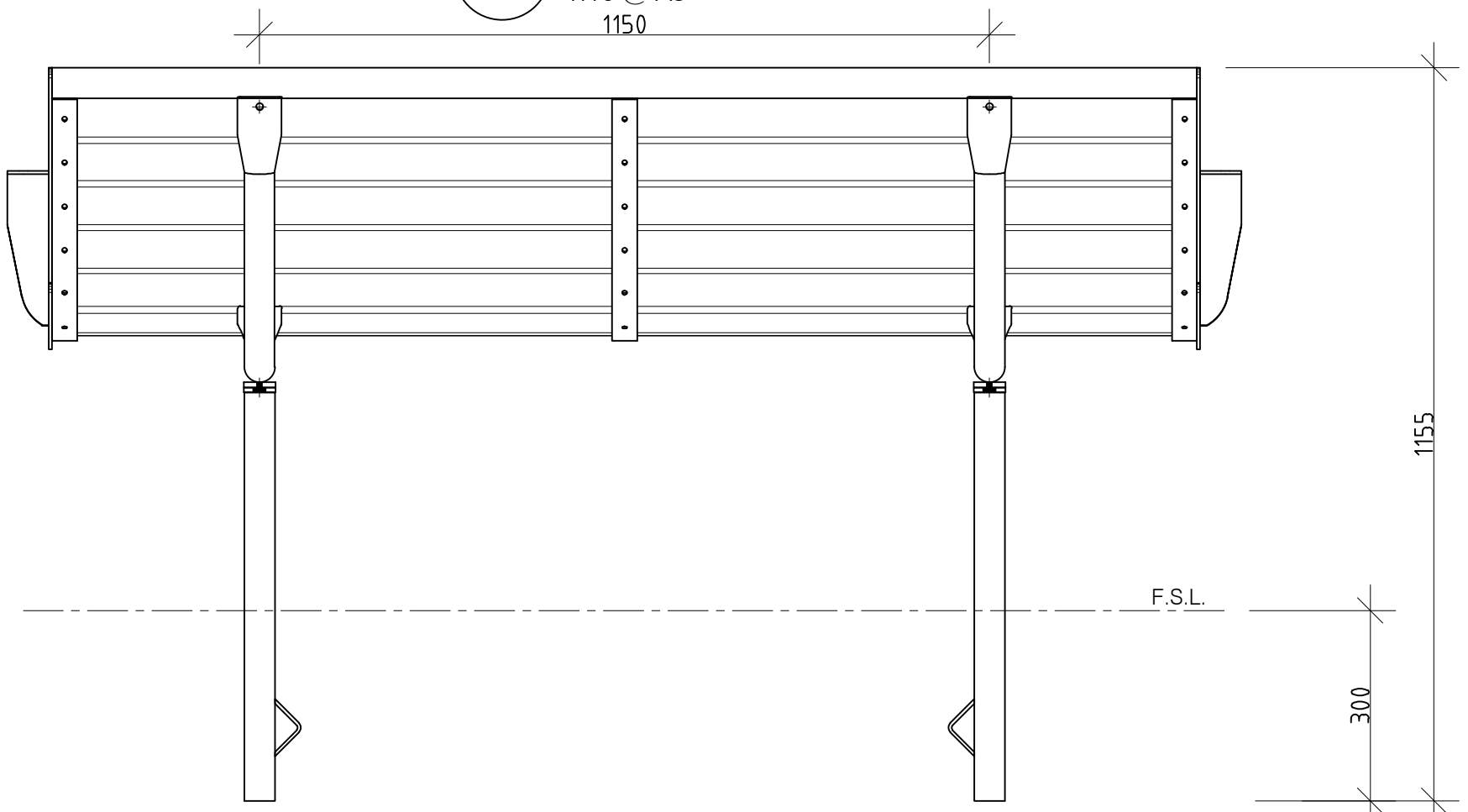
HWD TIMBER SLATS FOR BENCH FIXED TO STEEL SUPPORTS



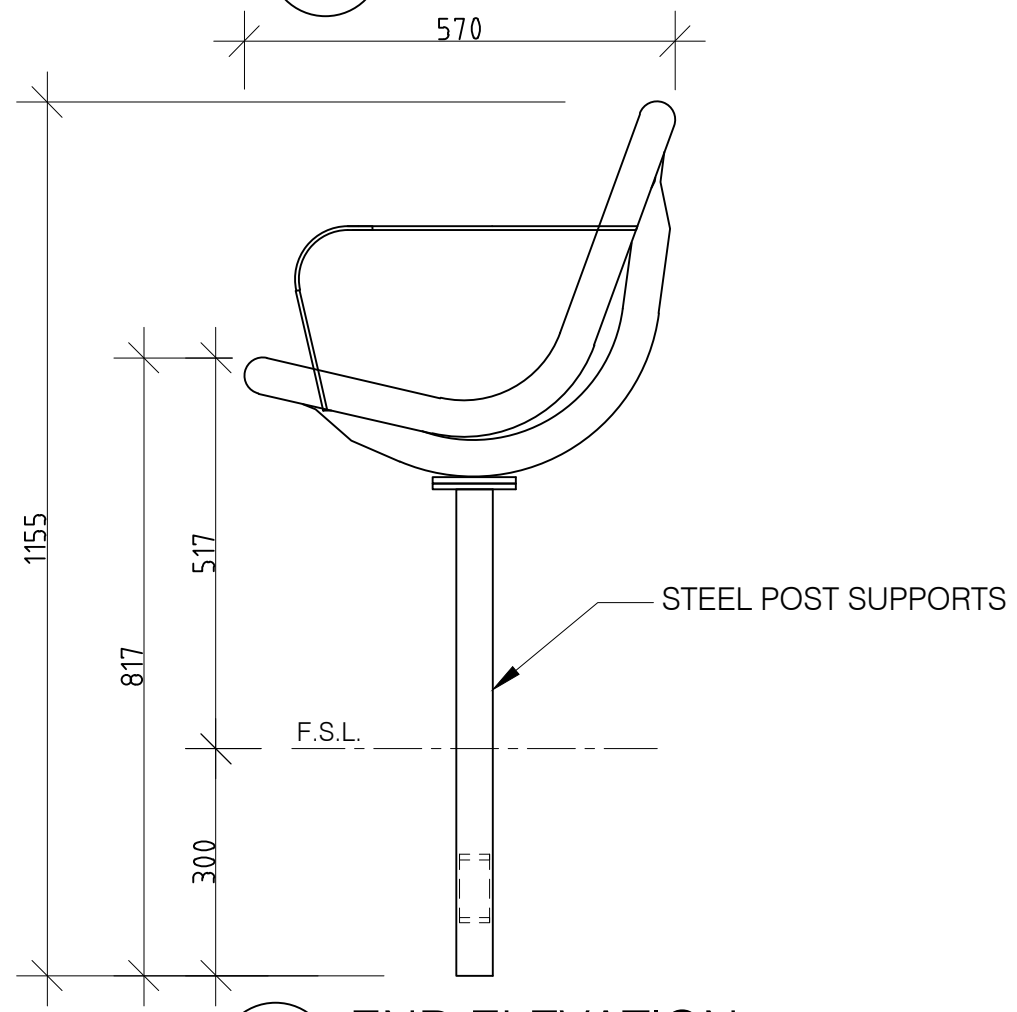
**1 PLAN**  
1:10 @ A3  
1150



**4 PERSPECTIVE**  
N.T.S.  
570



**2 REAR ELEVATION**  
1:10 @ A3



**3 END ELEVATION**  
1:10 @ A3

REVISION	DATE:	DRAWN BY:
6		
5		
4		
3		
2		
1		

**FURPHY FOUNDRY PTY LTD**  
THIS DOCUMENT IS AND SHALL REMAIN THE PROPERTY OF FURPHY FOUNDRY. UNAUTHORISED USE OF THIS DOCUMENT IN ANY FORM IS PROHIBITED.

Furphy Foundry Pty Ltd PH: (03) 5831 2777  
A.B.N. 24 007 195 913 FAX: (03) 5831 2681  
21 Drummond Rd, www.furphyfoundry.com.au  
Shepparton VIC 3630 sales@furphyfoundry.com.au

CLIENT NAME <b>FURPHY FOUNDRY</b>	PROJECT No. <b>FFSB002010</b>	PAGE <b>A3</b>
PROJECT <b>WOODGROVE SEAT - IN GROUND (WITH ARMS)</b>	DATE: <b>05-03-19</b>	DRAWN <b>PS</b>
DRAWING TITLE <b>PRELIMINARY</b>	DRAWING No. <b>006</b>	SCALE <b>NOTED</b>
	SHEET No. <b>001</b>	REV. <b>1</b>