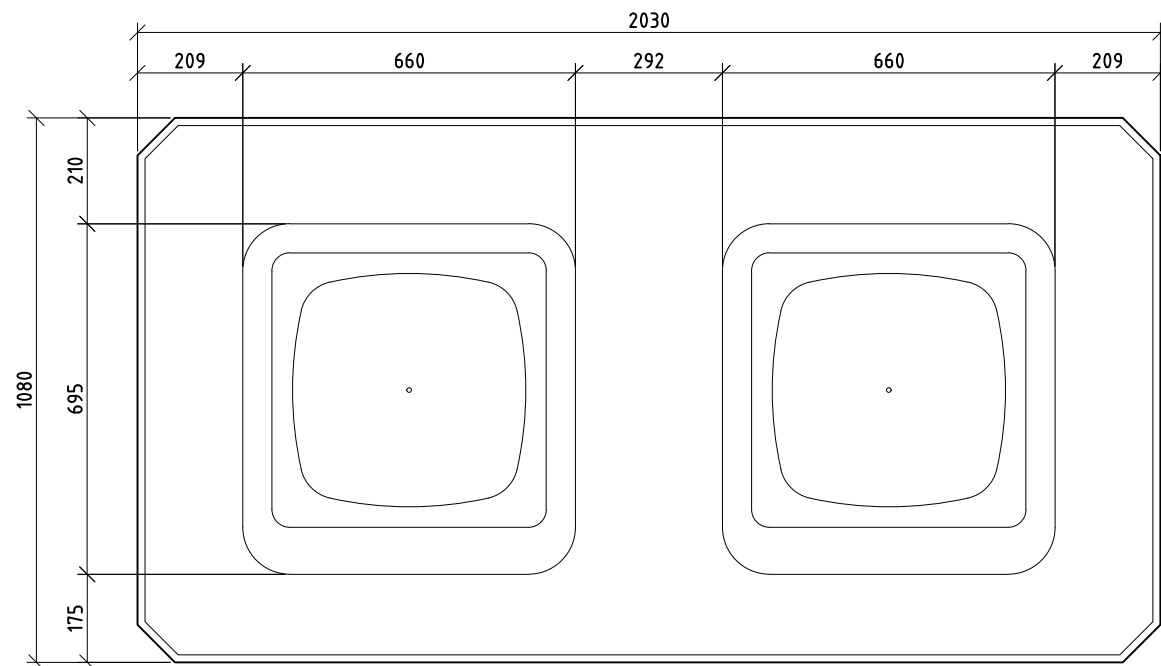


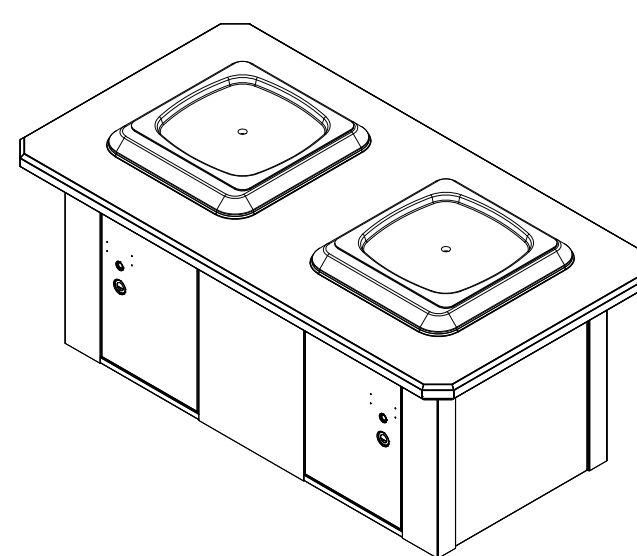
ALL DIMENSIONS IN MILLIMETRES - DO NOT SCALE

# PREMIUM DOUBLE BBQ

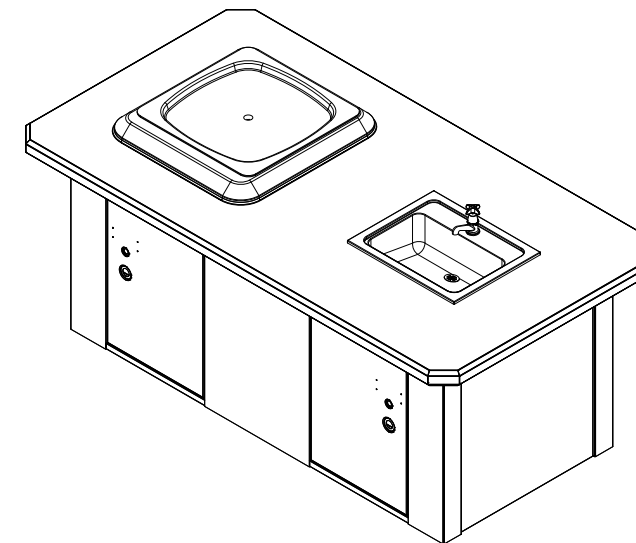
- KB502 Double hotplate
- KB503 Hotplate & Sink



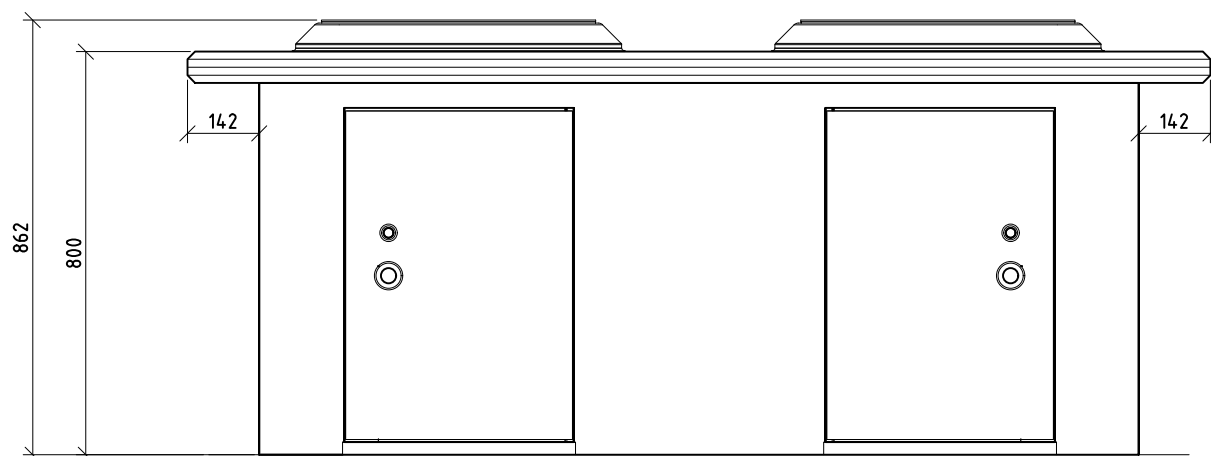
1 PLAN  
SCALE (1:15)



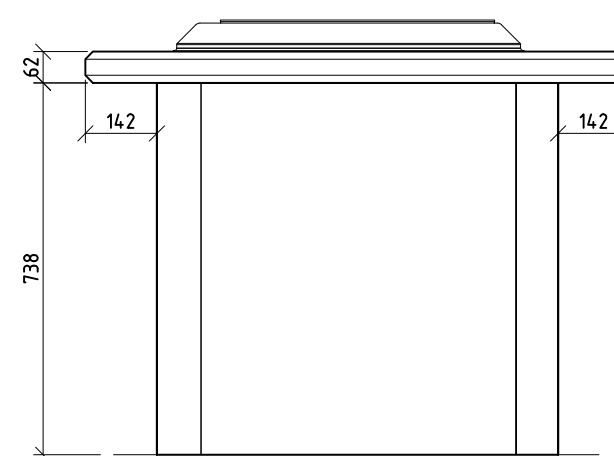
KB502 Double hotplate



KB503 Hotplate & Sink

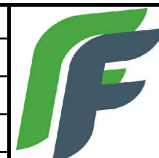


2 FRONT ELEVATION  
SCALE (1:15)



3 SIDE ELEVATION  
SCALE (1:15)

| REVISION | DATE: | DRAWN BY. |
|----------|-------|-----------|
| 6        |       |           |
| 5        |       |           |
| 4        |       |           |
| 3        |       |           |
| 2        |       |           |
| 1        |       |           |



© FURPHY FOUNDRY PTY LTD  
THIS DOCUMENT IS AND SHALL REMAIN THE PROPERTY OF FURPHY FOUNDRY. UNAUTHORISED USE OF THIS DOCUMENT IN ANY FORM IS PROHIBITED.



Furphy Foundry Pty Ltd PH: (03) 5831 2777  
A.B.N. 24 007 195 913 FAX: (03) 5831 2681  
21 Drummond Rd, www.furphyfoundry.com.au  
Shepparton VIC 3630 sales@furphyfoundry.com.au

| CLIENT NAME    | PROJECT            | DRAWING TITLE | PROJECT No.            | PAGE           |
|----------------|--------------------|---------------|------------------------|----------------|
| FURPHY FOUNDRY | PREMIUM DOUBLE BBQ | PRELIMINARY   | KB502/3                | A3             |
|                |                    |               | DATE:<br>20-04-20      | DRAWN<br>JAR   |
|                |                    |               | DRAWING No.<br>KB502/3 | SCALE<br>NOTED |
|                |                    |               | SHEET No.<br>001       | REV.<br>0      |