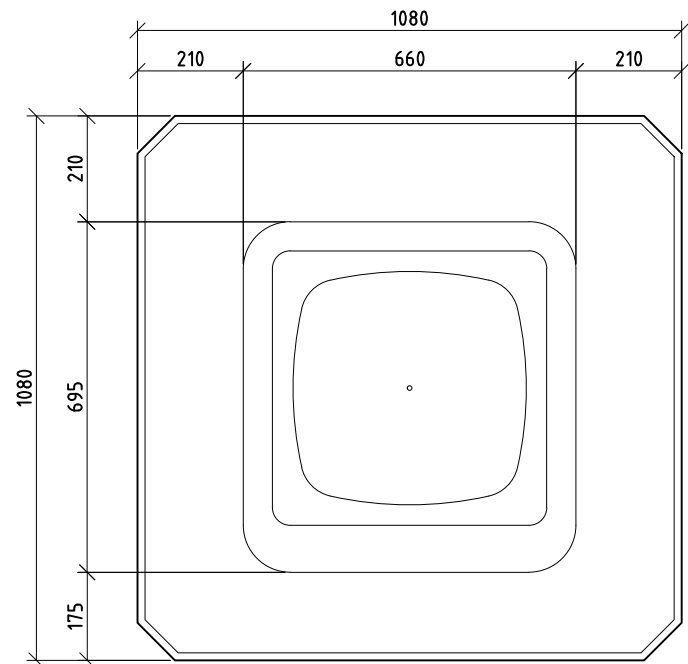


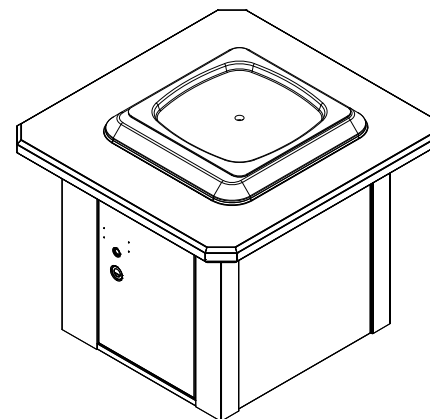
ALL DIMENSIONS IN MILLIMETRES - DO NOT SCALE

PREMIUM SINGLE BBQ

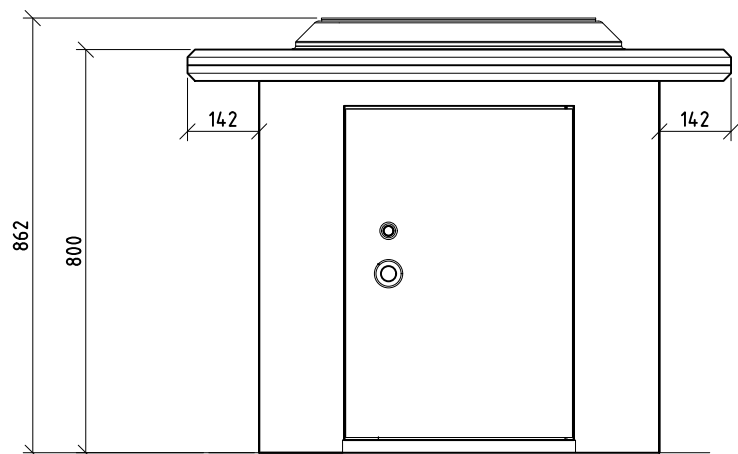
- KB501 Single hotplate



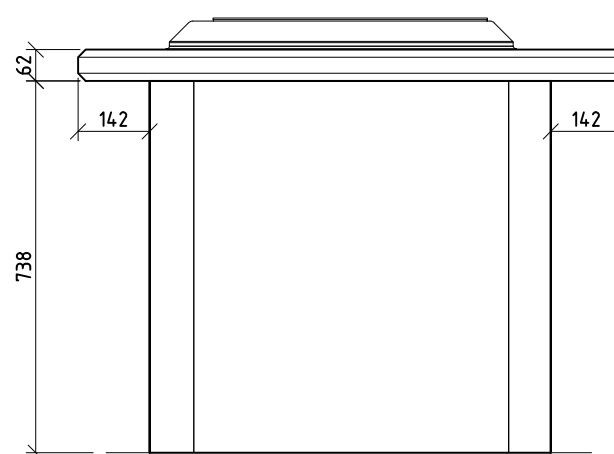
1 PLAN
SCALE (1:15)



KB501 Single




2 FRONT ELEVATION
SCALE (1:15)



3 SIDE ELEVATION
SCALE (1:15)

REVISION	DATE:	DRAWN BY.
6		
5		
4		
3		
2		
1		

DATE:	DRAWN BY.



© FURPHY FOUNDRY PTY LTD
THIS DOCUMENT IS AND SHALL REMAIN THE PROPERTY OF FURPHY FOUNDRY. UNAUTHORISED USE OF THIS DOCUMENT IN ANY FORM IS PROHIBITED.



Furphy Foundry Pty Ltd PH: (03) 5831 2777
A.B.N. 24 007 195 913 FAX: (03) 5831 2681
21 Drummond Rd, www.furphyfoundry.com.au
Shepparton VIC 3630 sales@furphyfoundry.com.au

CLIENT NAME FURPHY FOUNDRY	PROJECT No. KB501	PAGE A3
PROJECT PREMIUM SINGLE BBQ	DATE: 20-04-20	DRAWN JAR
DRAWING TITLE PRELIMINARY	DRAWING No. KB501	SCALE NOTED
	SHEET No. 001	REV. 0