

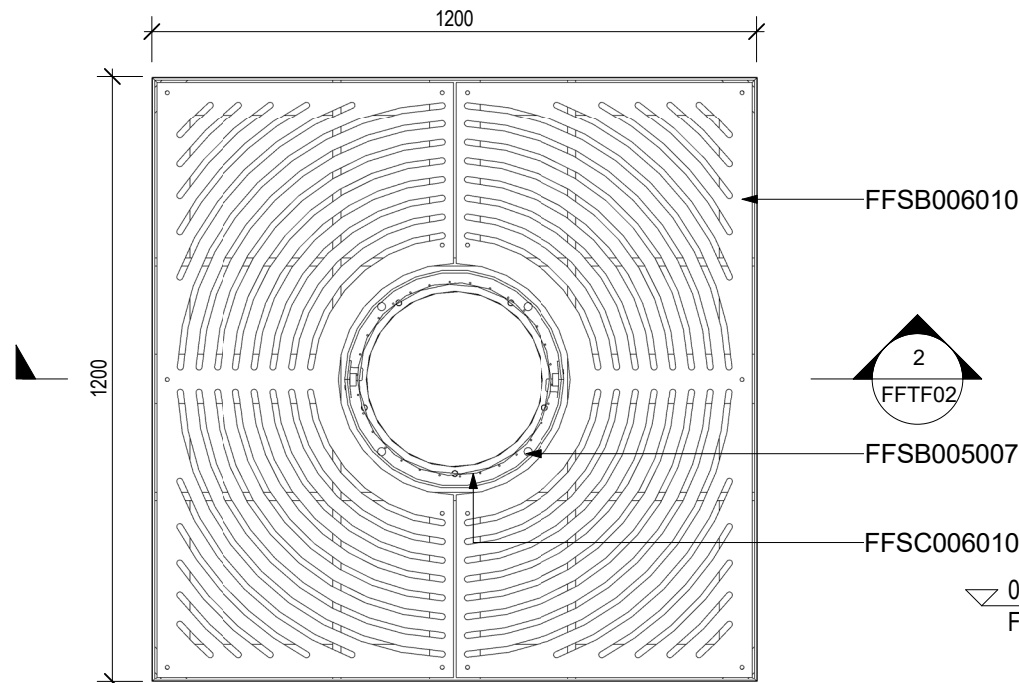
TREE FURNITURE CODES:

CODE NO.	DESCRIPTION
FFSB005007	TREE GUARD - CIRCULAR (OPTION COMPATIBLE WITH CIRCULAR GRATES)
FFSB006010	TREE GRATE - CIRCULAR PATTERN - TYPE B (COMPLETE WITH HDG BASE FRAME)
FFSC006010	TOPIARY MESH GUARD CIRCULAR (OPTION COMPATIBLE WITH SQUARE & CIRCULAR GRATES)

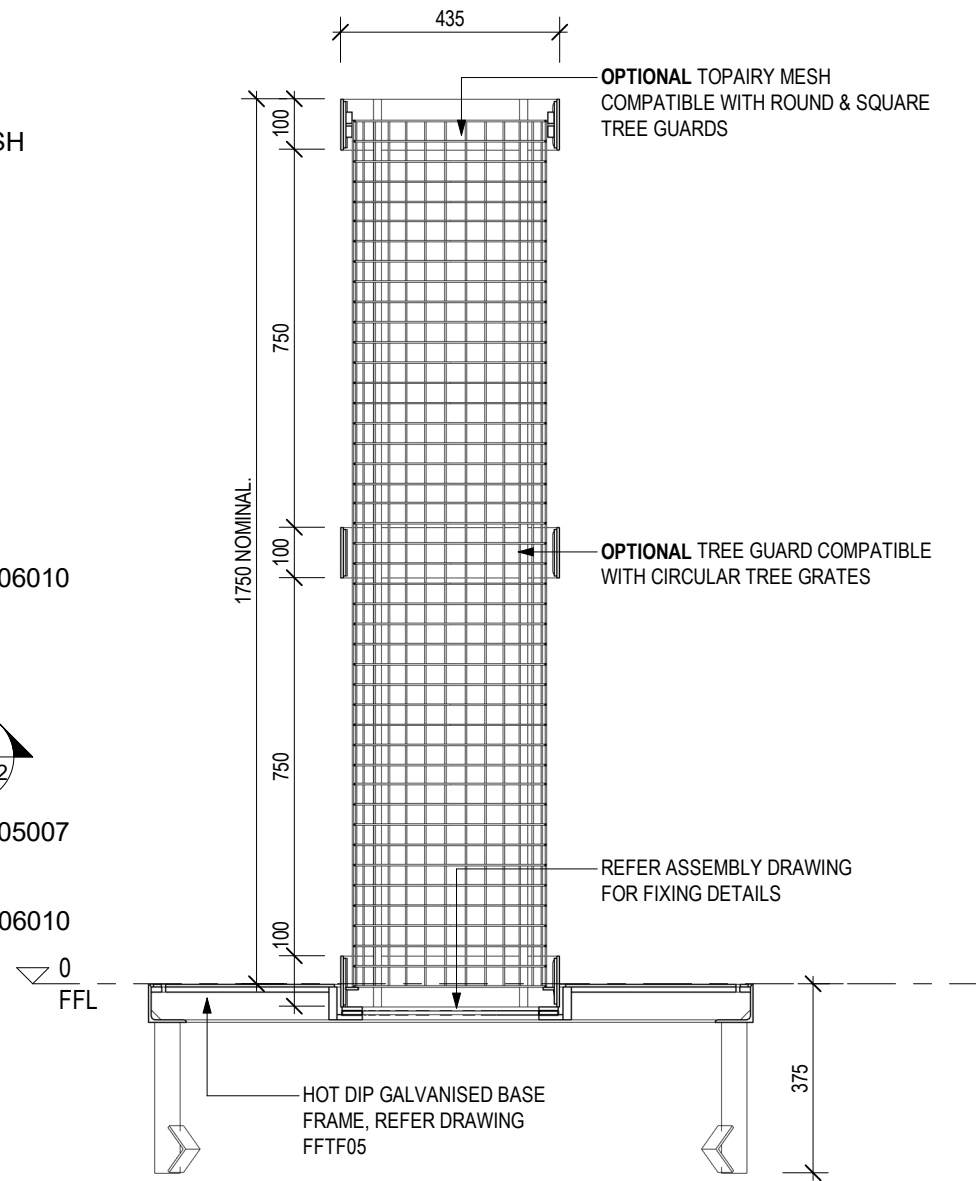
SPECIFICATION:

MATERIALS / FINISHES:

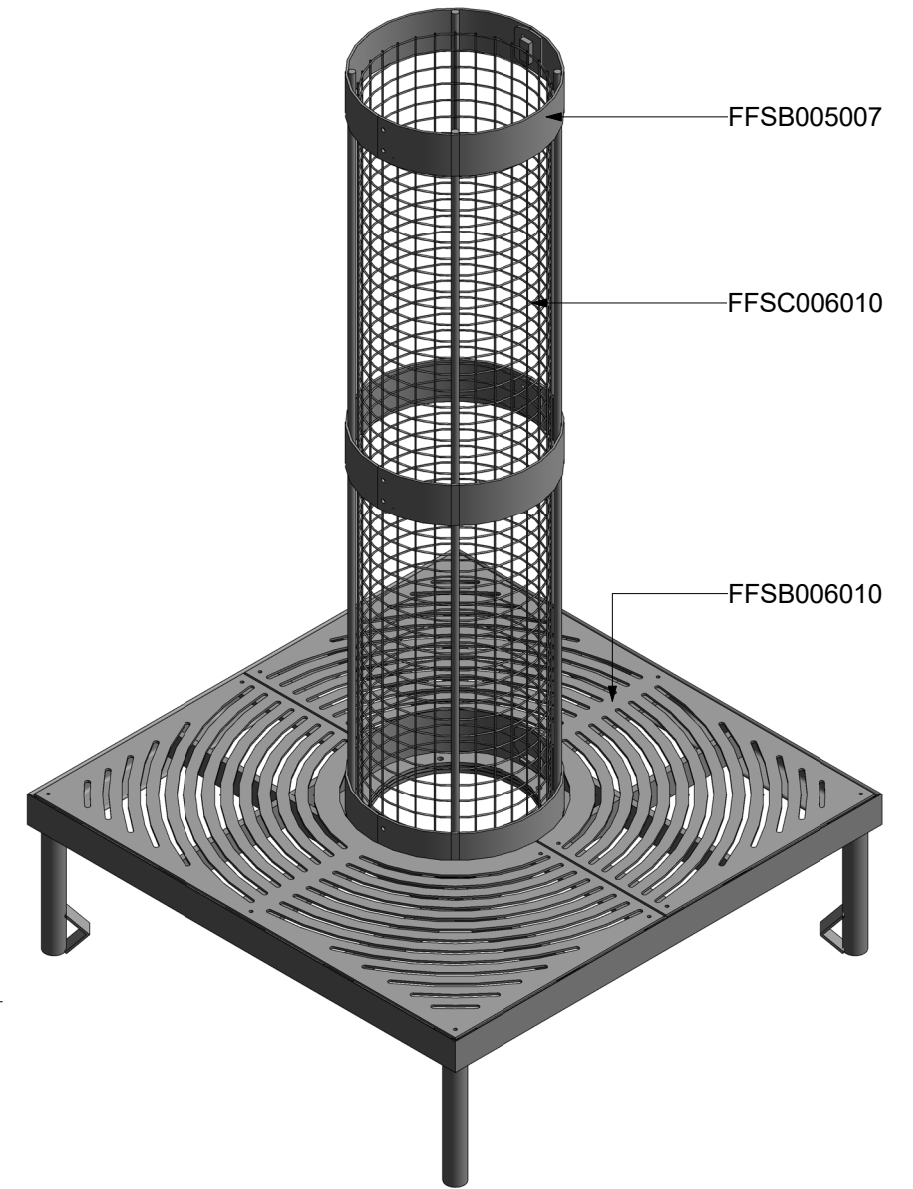
TREE GUARDS - HOT DIP GALVANISED STEEL & POWDERCOAT FINISH
 TREE GRATES - 304GR STAINLESS STEEL & POWDERCOAT FINISH
 TREE GUARD BASE FRAME - HOT DIP GALVANISED STEEL
 TOPIARY MESH - 304GR STAINLESS STEEL



1 PLAN VIEW



2 SECTIONAL VIEW



3 ISOMETRIC VIEW

REVISION	DATE	DRAWN
2	10-11-21	JAR
1	01-11-21	JAR

FURPHY FOUNDRY PTY LTD
 PH: (03) 5831 2777
 FAX: (03) 5831 2681
 A.B.N. 24 007 195 913
 www.furphyfoundry.com.au
 21 Drummond Rd, Shepparton VIC 3630
 sales@furphyfoundry.com.au

THIS DOCUMENT IS AND SHALL REMAIN THE PROPERTY OF FURPHY FOUNDRY. UNAUTHORISED USE OF THIS DOCUMENT IN ANY FORM IS PROHIBITED.



CLIENT NAME
FURPHY FOUNDRY PTY LTD

PROJECT
 21 DRUMMOND RD, SHEPPARTON VIC 3630

CIRCULAR GUARD & GRATE TYPE 2

DRAWING TITLE
SPECIFICATION DRAWING

PROJECT No.	PAGE
FFTF02	A3
DATE	DRAWN
21-10-21	JAR
DRAWING No.	SCALE
FFTF02	As indicated
SHEET No.	REV.
001	2