

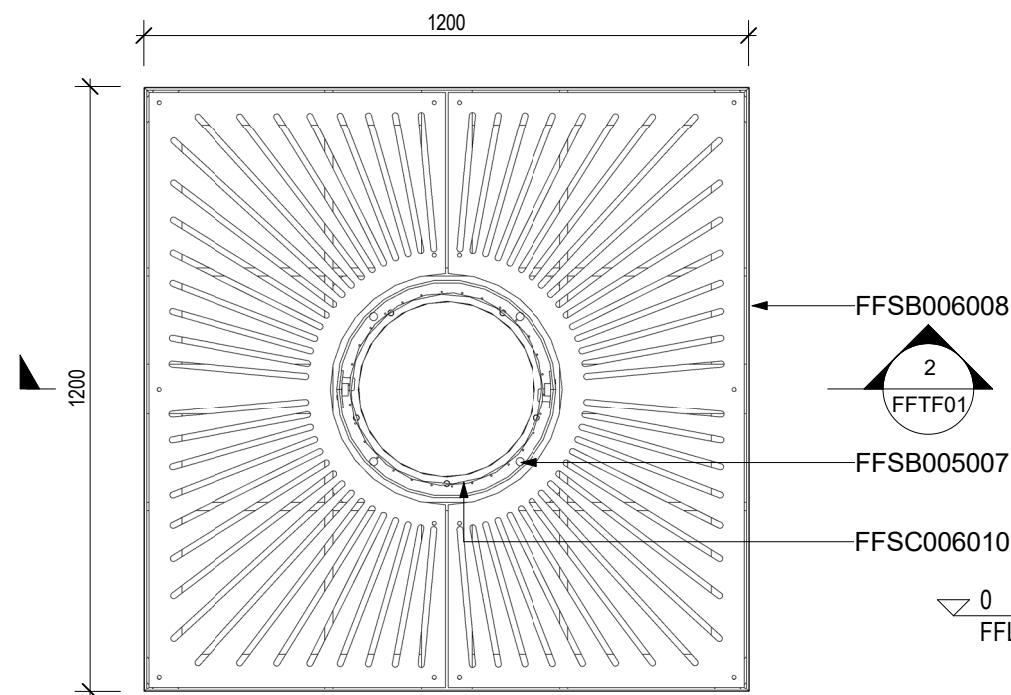
TREE FURNITURE CODES:

CODE NO.	DESCRIPTION
FFSB005007	TREE GUARD - CIRCULAR (OPTION COMPATIBLE WITH CIRCULAR GRATES)
FFSB006008	TREE GRATE - CIRCULAR PATTERN - TYPE A (COMPLETE WITH HDG BASE FRAME)
FFSC006010	TOPIARY MESH GUARD CIRCULAR (OPTION COMPATIBLE WITH SQUARE & CIRCULAR GRATES)

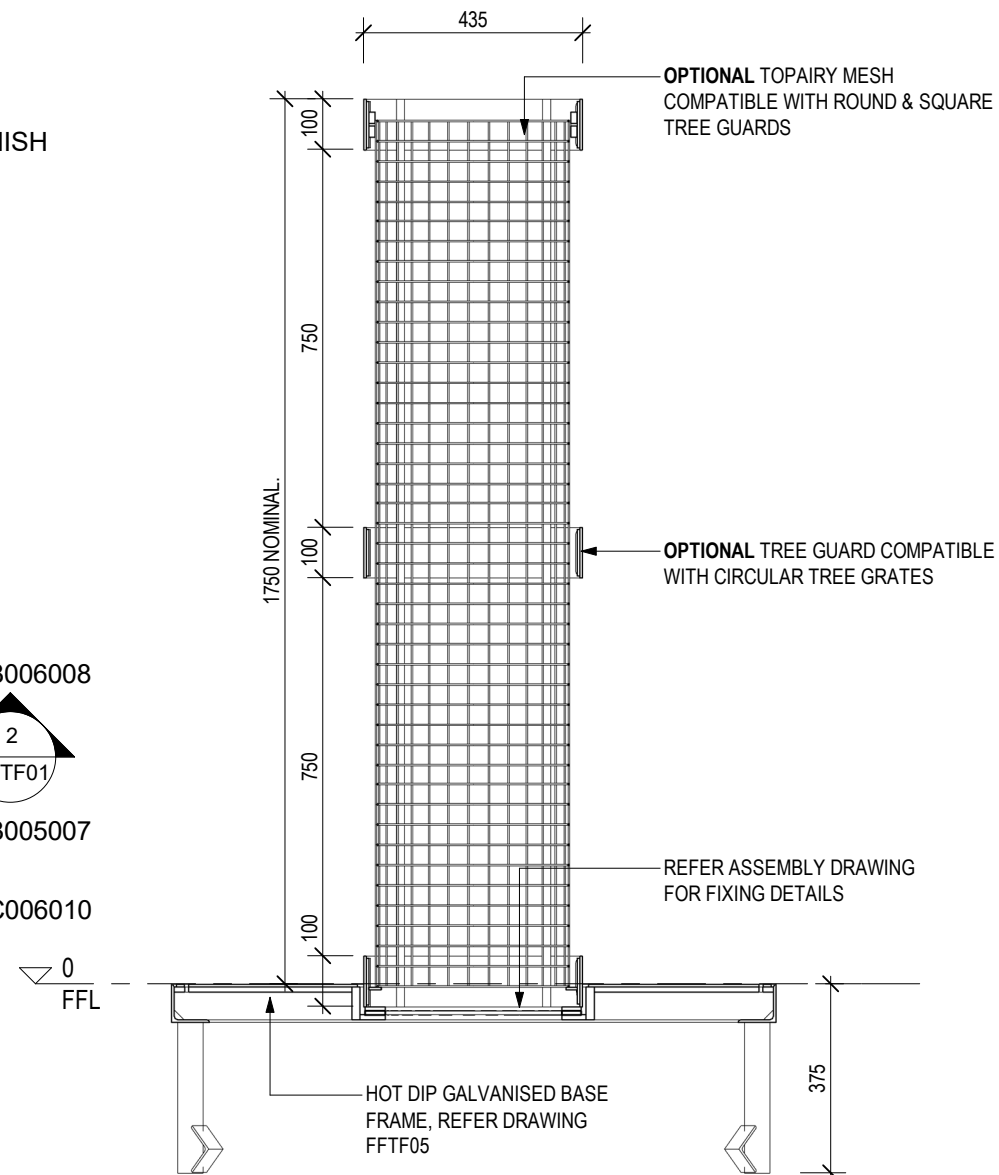
SPECIFICATION:

MATERIALS / FINISHES:

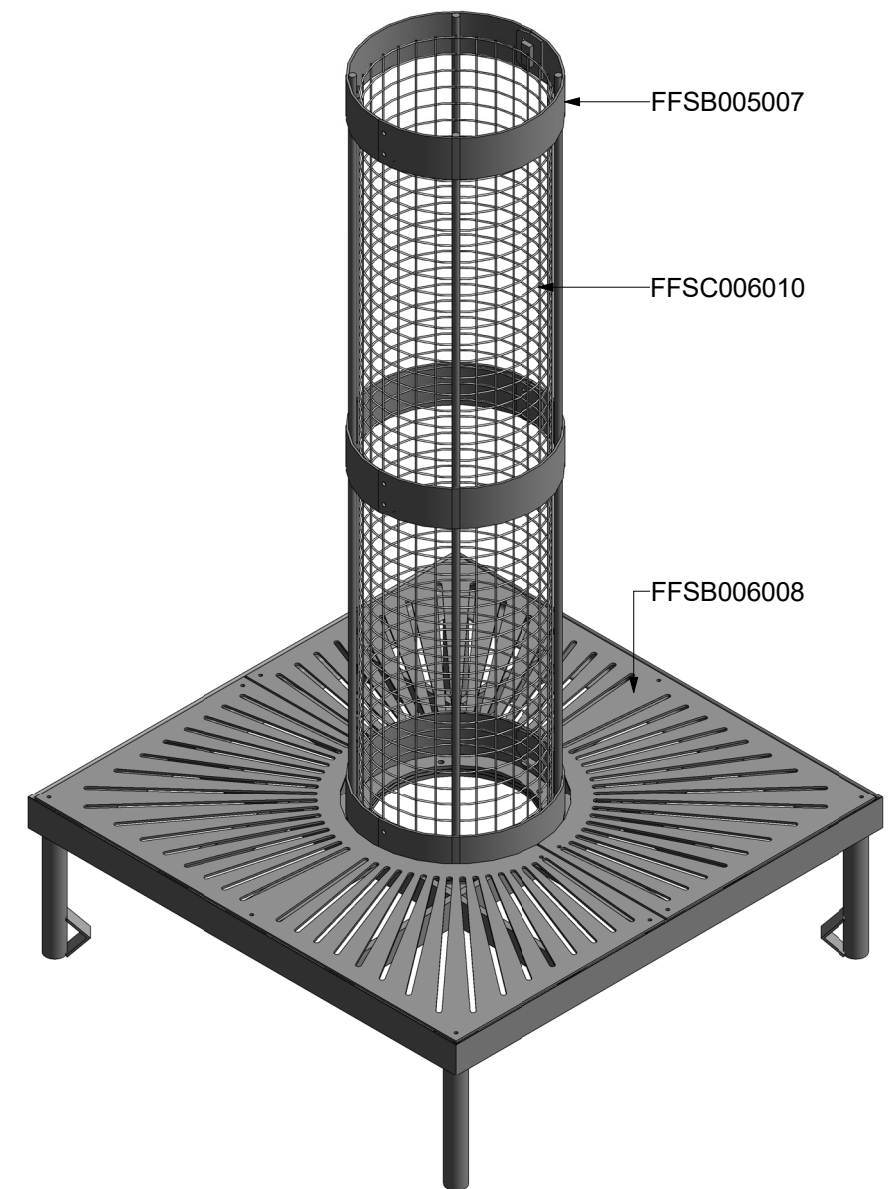
TREE GUARDS - HOT DIP GALVANISED STEEL & POWDERCOAT FINISH
 TREE GRATES - 304GR STAINLESS STEEL & POWDERCOAT FINISH
 TREE GUARD BASE FRAME - HOT DIP GALVANISED STEEL
 TOPIARY MESH - 304GR STAINLESS STEEL



1 PLAN VIEW



2 SECTIONAL VIEW
FFTF01



3 ISOMETRIC VIEW

REVISION	DATE	DRAWN	CLIENT NAME	PROJECT	DRAWING No.	PROJECT No.	PAGE
2	10-11-21	JAR	FURPHY FOUNDRY PTY LTD	21 DRUMMOND RD, SHEPPARTON VIC 3630	FFTF01	FFTF01	A3
1	01-11-21	JAR			FFTF01		JAR
							SCALE As indicated
							REV. 2

FURPHY FOUNDRY PTY LTD
 PH: (03) 5831 2777
 FAX: (03) 5831 2681
 A.B.N. 24 007 195 913
 www.furphyfoundry.com.au
 21 Drummond Rd, Shepparton VIC 3630
 sales@furphyfoundry.com.au



CLIENT NAME
FURPHY FOUNDRY PTY LTD

PROJECT
 21 DRUMMOND RD, SHEPPARTON VIC 3630

DRAWING TITLE
CIRCULAR GUARD & GRATE TYPE 1

DRAWING TITLE
SPECIFICATION DRAWING

THIS DOCUMENT IS AND SHALL REMAIN THE PROPERTY OF FURPHY FOUNDRY. UNAUTHORISED USE OF THIS DOCUMENT IN ANY FORM IS PROHIBITED.