

SPECIFICATION:

MATERIAL:

Stainless steel unless otherwise stated
(304 with an option of 316)

DIMENSIONS:

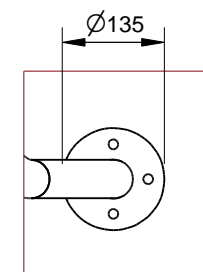
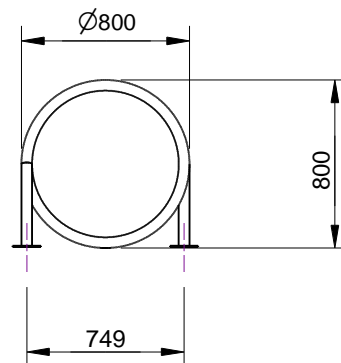
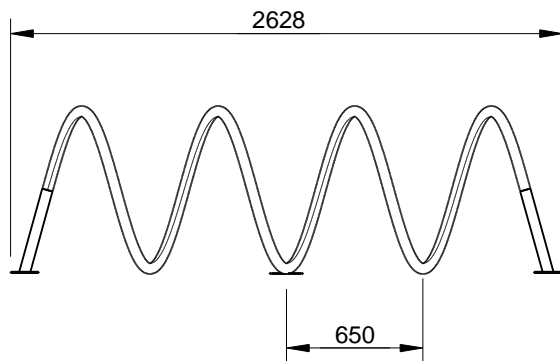
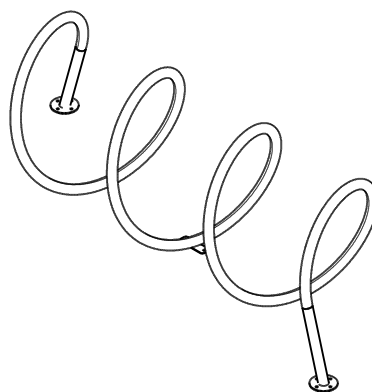
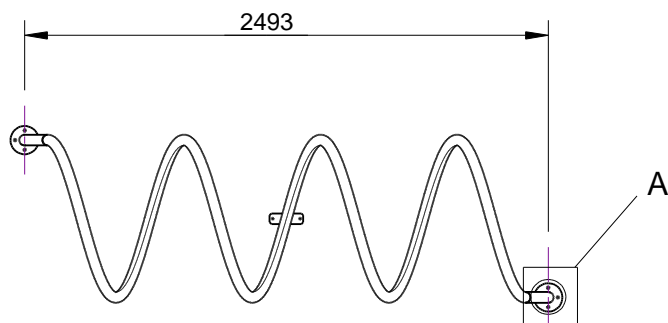
mm unless otherwise stated

FINISH:

Stainless steel components - Polished

GROUND ATTACHEMENT:

Bolt down



Detail A

© copyright

CONFIDENTIAL

REVISION #	DESCRIPTION	BY	DATE	DRAWN	DRAWN DATE	CHECKED	CHECKED DATE	SCALE		
								A4		
1	ORIGINAL DRAWING	DN	30.9.10	R.CRIGTON	7.2.14			N/A		
2	FULL PRODUCT REVIEW	RBC	7.2.14					SPIRAL BIKE RACK (4 BAYS) - BOLT DOWN SPEC.		
3										
4										
5								FFSC010005	REV. 2	SHEET 1 OF 1

