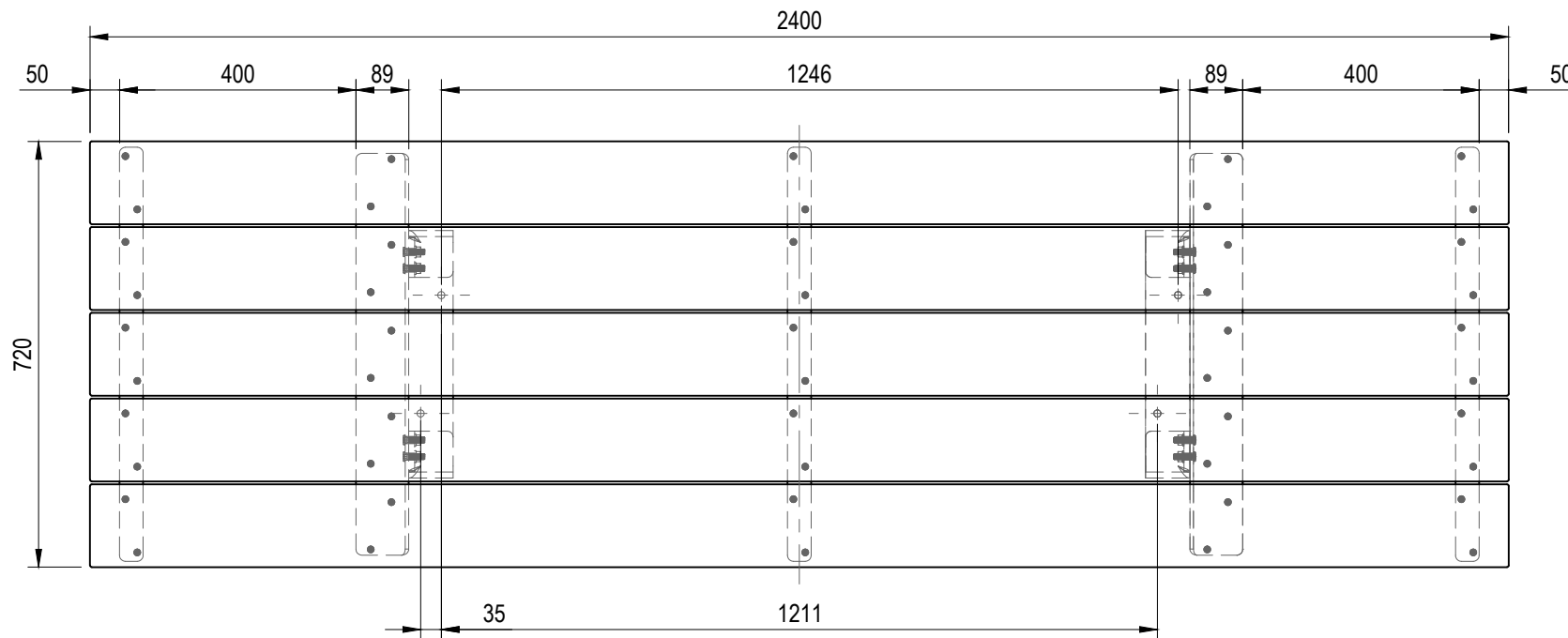
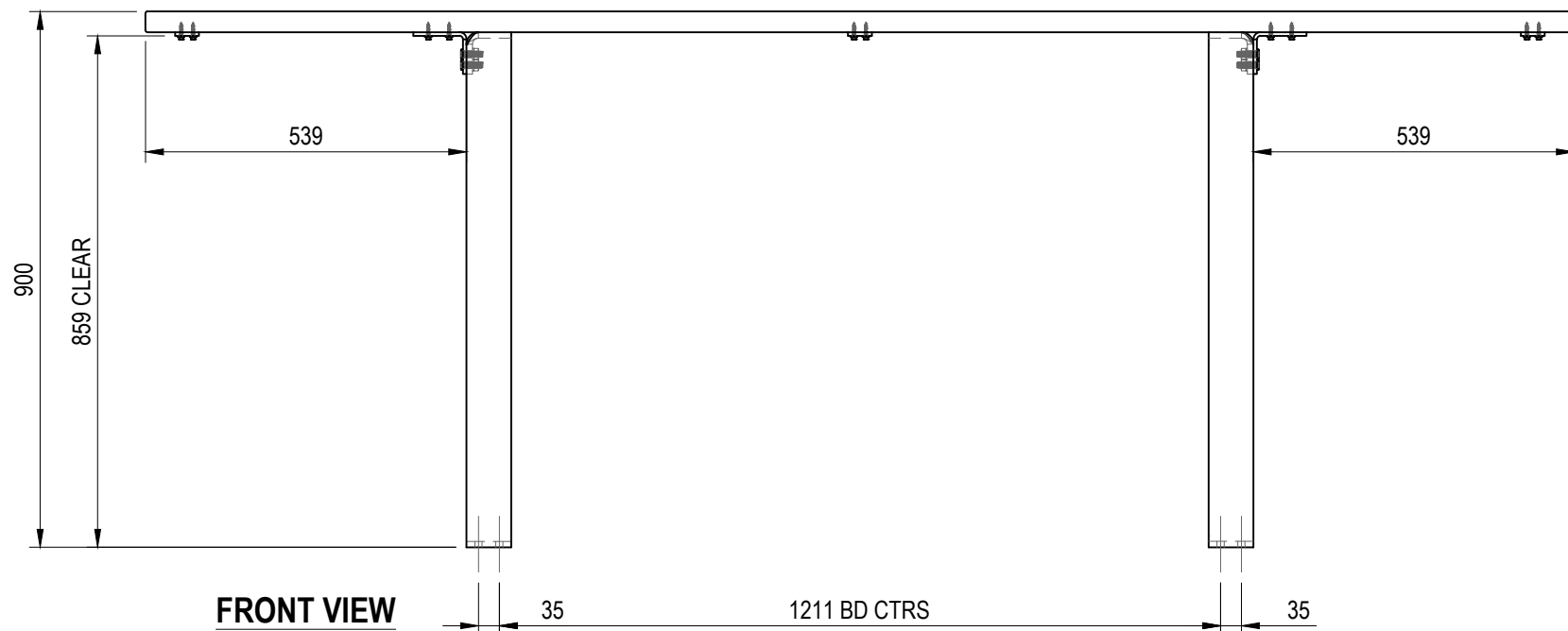


# AXIS BAR TABLE

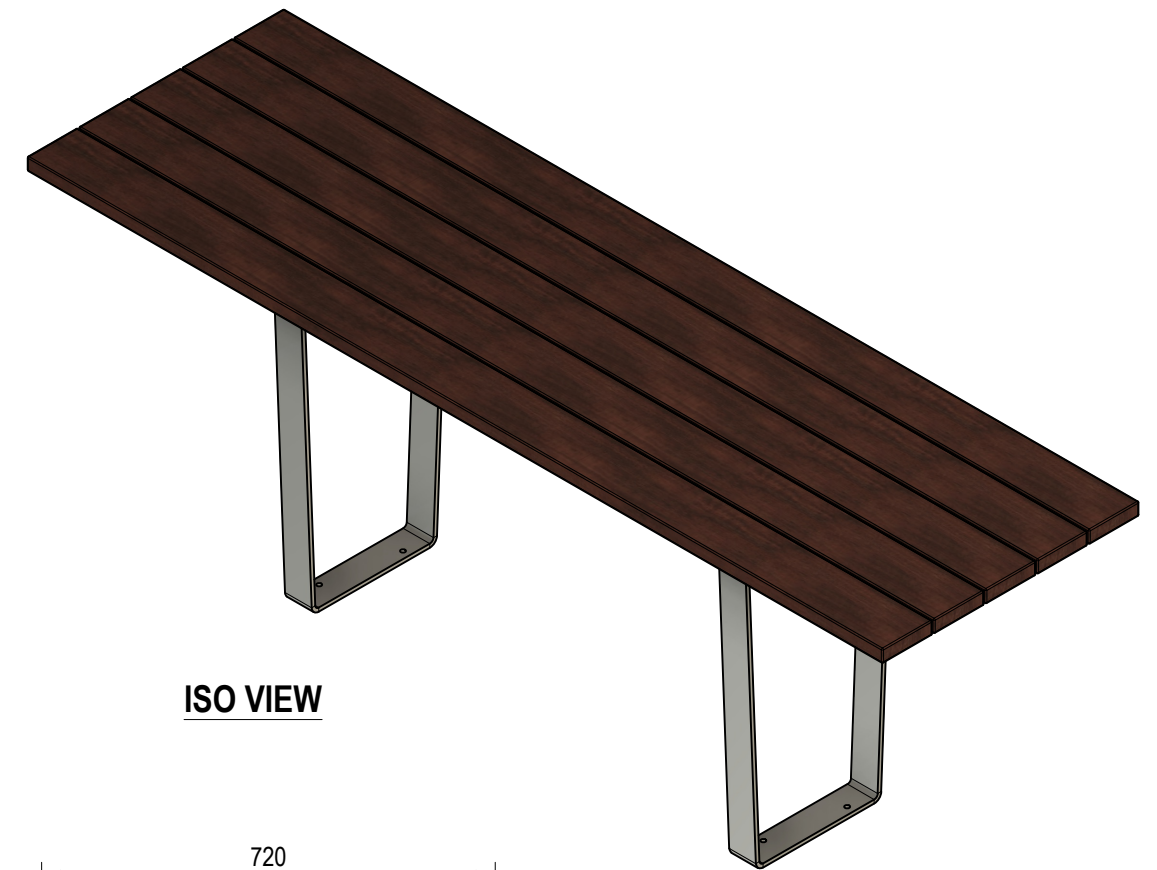
FFSC003090 - 2400mm Bar Table



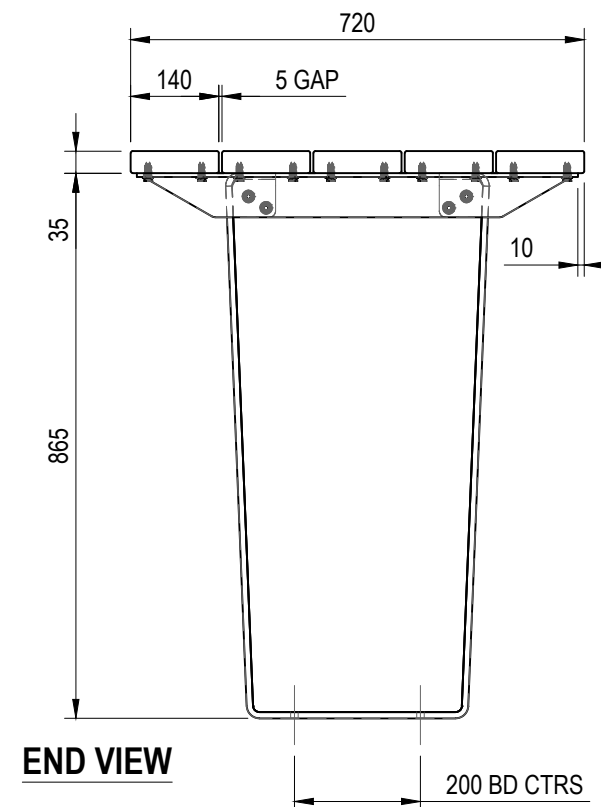
TOP VIEW



FRONT VIEW



ISO VIEW



END VIEW

**SPECIFICATIONS:**

- FRAME:** STAINLESS STEEL 304 GRADE & POWDERCOAT FINISH
- FIXINGS:** STAINLESS STEEL UNLESS NOTED OTHERWISE
- SLATS:** KILN DRIED HARDWOOD DRESSED ALL SIDES WITH PENCIL ROUNDED EDGES

**Revision History**

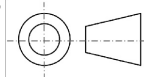
Rev	Description	Date	Approved
-----	-------------	------	----------



© FURPHY FOUNDRY PTY LTD.

THIS DOCUMENT IS AND SHALL REMAIN THE PROPERTY OF FURPHY FOUNDRY. UNAUTHORISED USE OF THIS DOCUMENT IN ANY FORM IS PROHIBITED.

UNLESS OTHERWISE SPECIFIED, DIMENSIONS ARE IN mm  
**DO NOT SCALE**  
BREAK ALL SHARP EDGES AND REMOVE BURRS



TOLERANCES  
X: ±0.25  
XX: ±0.1  
ANGLES: ±0.1°



Furphy Foundry Pty Ltd  
A.B.N. 24 007 195 913  
21 Drummond Rd,  
Shepparton VIC 3630

PH: (03) 5831 2777  
FAX: (03) 5831 2681  
www.furphyfoundry.com.au  
sales@furphyfoundry.com.au

CLIENT NAME FURPHY FOUNDRY	PROJECT No. FFSC003090	PAGE A3
PROJECT Axis Furniture Range FFSC003090 - 2400mm Bar Table	DATE: 19/09/2024	DRAWN Joel Rose
DRAWING TITLE 2400mm Bar Table	DRAWING No. FFSC003090	SCALE 1:15
PART No. FFSC003090	SHEET No. 1/1	REV.