

# AXIS SEAT - CURVED - MODULAR

FFSC002090 - Modular Curved Seat

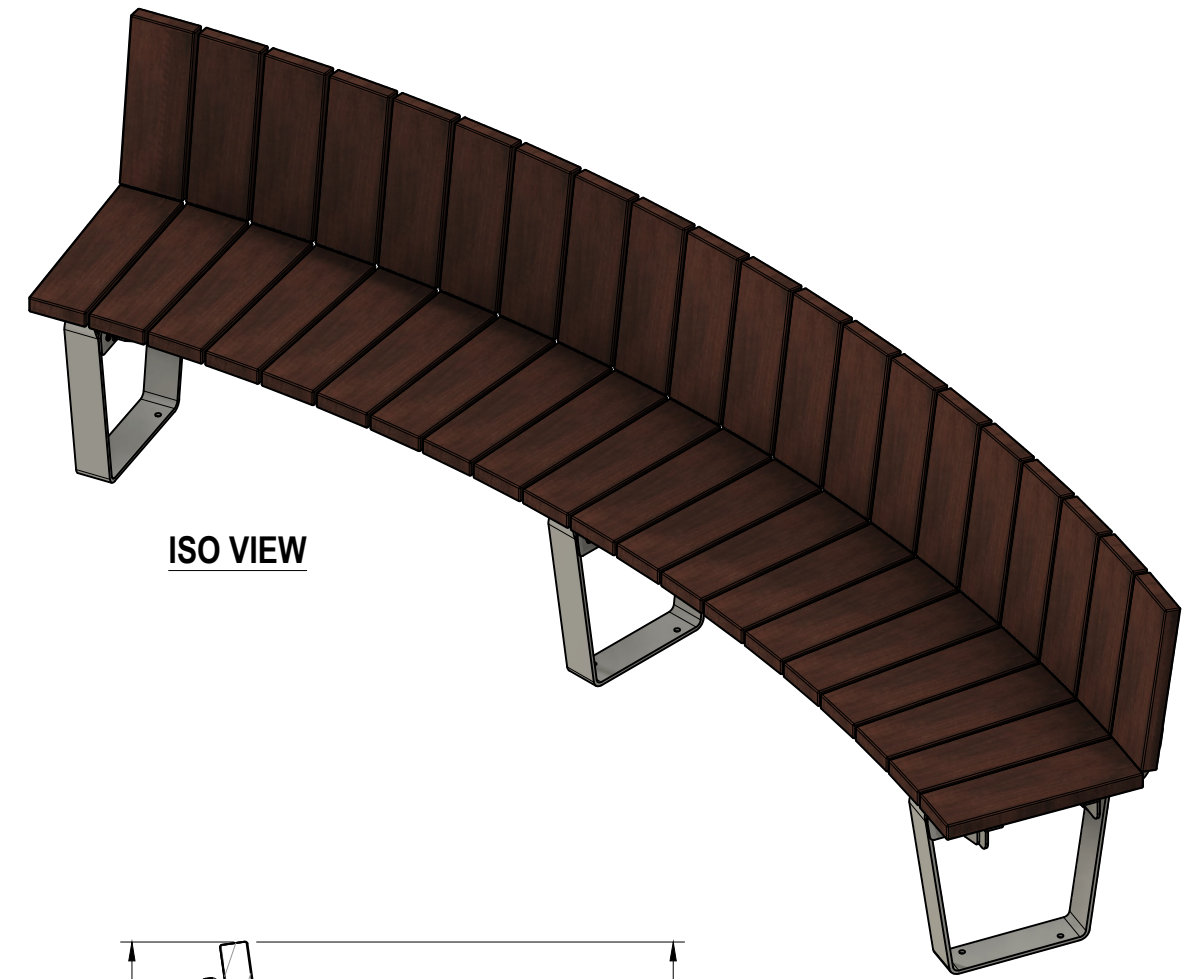
**NOTE:** MODULAR CONFIGURATION SHOWN IS FOR EXAMPLE PURPOSES ONLY. SITE-SPECIFIC DRAWINGS WILL BE REQUIRED BASED ON THE FINAL ORDER AND FURNITURE CONFIGURATION

## SPECIFICATIONS:

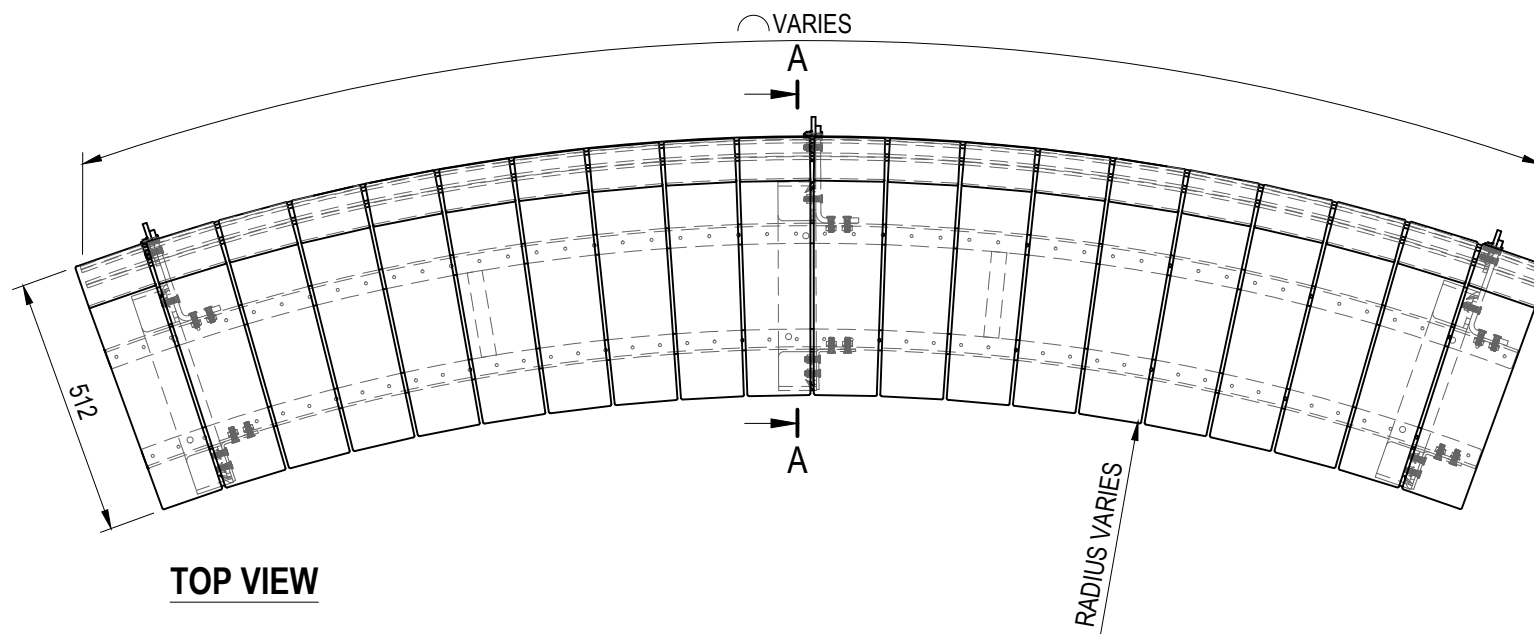
**FRAME:** STAINLESS STEEL 304 GRADE & POWDERCOAT FINISH

**FIXINGS:** STAINLESS STEEL UNLESS NOTED OTHERWISE

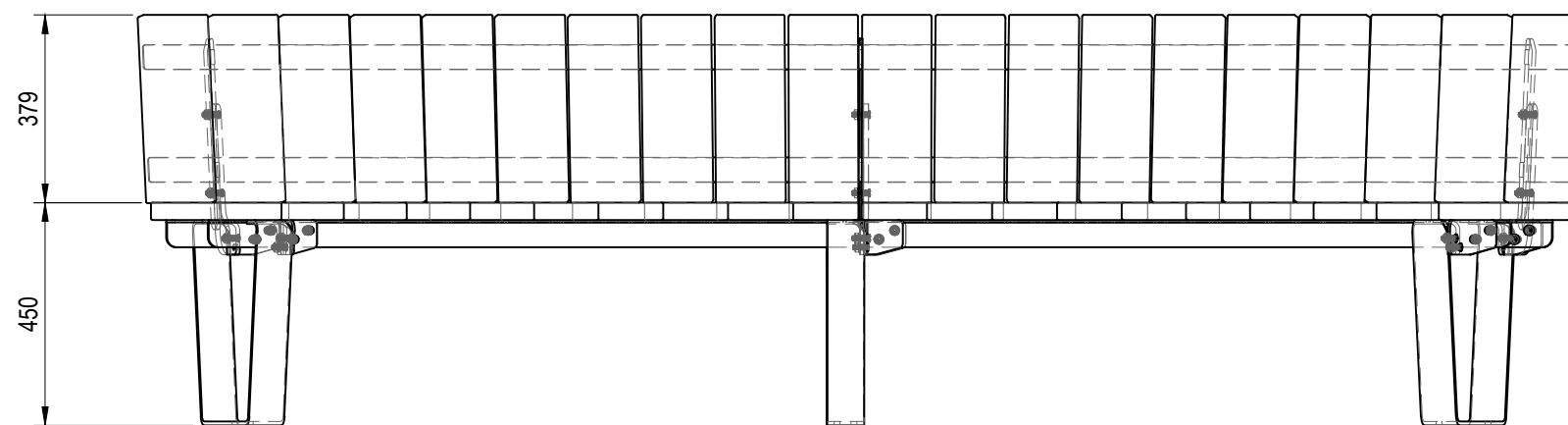
**SLATS:** KILN DRIED HARDWOOD DRESSED ALL SIDES WITH PENCIL ROUNDED EDGES



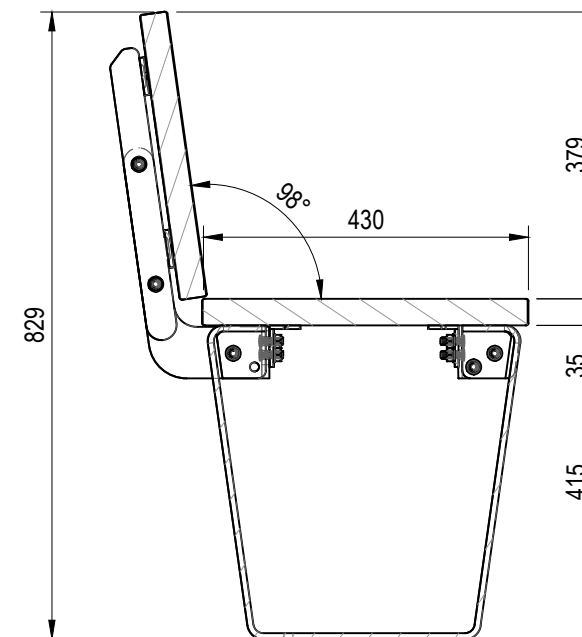
ISO VIEW



TOP VIEW




FRONT VIEW



SECTION A-A (1:10)

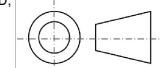
**Revision History**

Rev	Description	Date	Approved
-----	-------------	------	----------



© FURPHY FOUNDRY PTY LTD.  
 THIS DOCUMENT IS AND SHALL REMAIN THE PROPERTY OF FURPHY FOUNDRY. UNAUTHORISED USE OF THIS DOCUMENT IN ANY FORM IS PROHIBITED.

UNLESS OTHERWISE SPECIFIED, DIMENSIONS ARE IN mm  
**DO NOT SCALE**  
 BREAK ALL SHARP EDGES AND REMOVE BURRS



TOLERANCES  
 X: ±0.25  
 Y: ±0.1  
 XX: ±0.05  
 ANGLES: ±0.1°



Furphy Foundry Pty Ltd  
 A.B.N. 24 007 195 913  
 21 Drummond Rd,  
 Shepparton VIC 3630

PH: (03) 5831 2777  
 FAX: (03) 5831 2681  
 www.furphyfoundry.com.au  
 sales@furphyfoundry.com.au

CLIENT NAME FURPHY FOUNDRY	PROJECT No. FFSC002090	PAGE A3
PROJECT Axis Furniture Range FFSC002090 - Modular Curved Seat	DATE: 19/09/2024	DRAWN Joel Rose
DRAWING TITLE Modular Curved Seat	DRAWING No. FFSC002090	SCALE 1:15
PART No. FFSC002090	SHEET No. 1/1	REV.