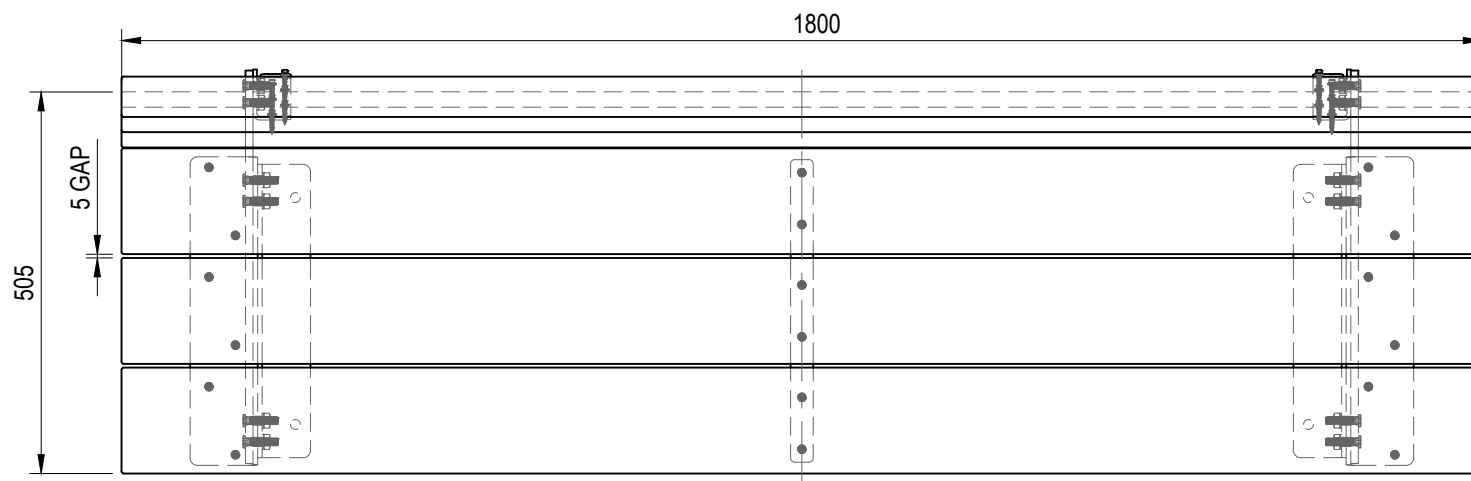
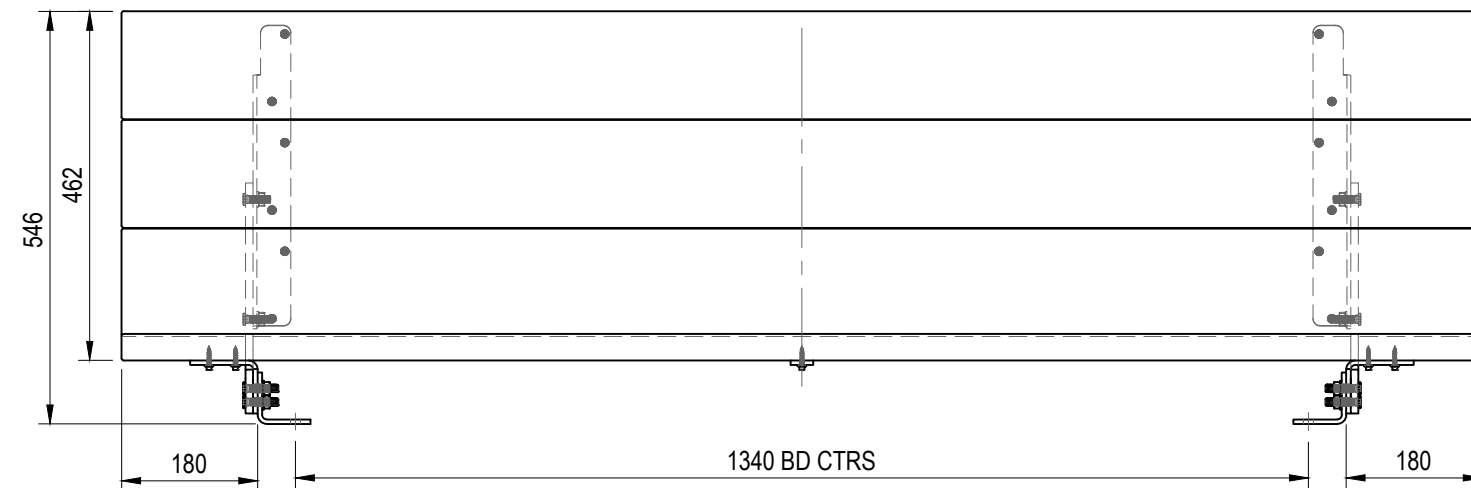


AXIS SEAT - PLINTH MOUNT

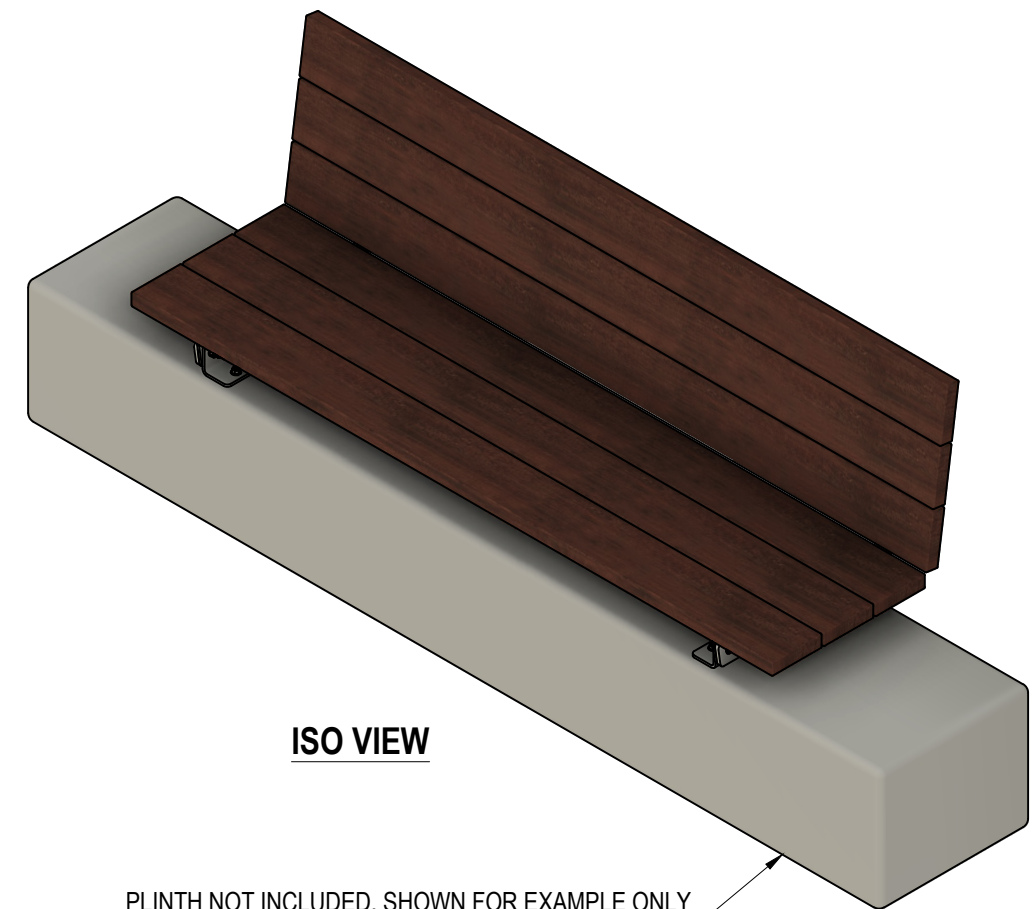
FFSC002081 - 1800mm Seat - Plinth Mount



TOP VIEW

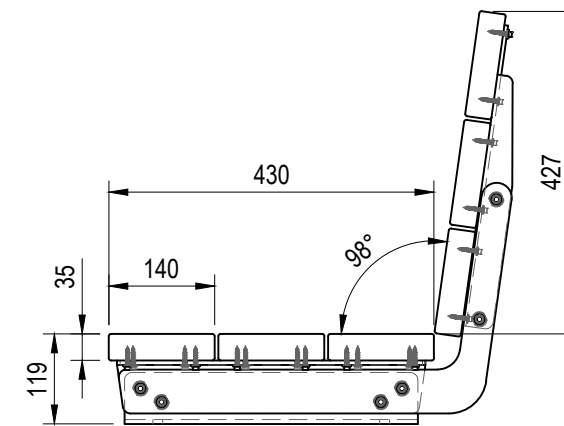


FRONT VIEW



ISO VIEW

PLINTH NOT INCLUDED, SHOWN FOR EXAMPLE ONLY



END VIEW

SPECIFICATIONS:

- FRAME:** STAINLESS STEEL 304 GRADE & POWDERCOAT FINISH
- FIXINGS:** STAINLESS STEEL UNLESS NOTED OTHERWISE
- SLATS:** KILN DRIED HARDWOOD DRESSED ALL SIDES WITH PENCIL ROUNDED EDGES

Revision History

Rev	Description	Date	Approved

FURPHY FOUNDRY PTY LTD.

THIS DOCUMENT IS AND SHALL REMAIN THE PROPERTY OF FURPHY FOUNDRY. UNAUTHORISED USE OF THIS DOCUMENT IN ANY FORM IS PROHIBITED.

UNLESS OTHERWISE SPECIFIED, DIMENSIONS ARE IN mm
DO NOT SCALE
 BREAK ALL SHARP EDGES AND REMOVE BURRS

TOLERANCES
 X: ±0.25
 Y: ±0.1
 XX: ±0.05
 ANGLES: ±0.1°

FURPHY
 FOUNDRY EST. 1864

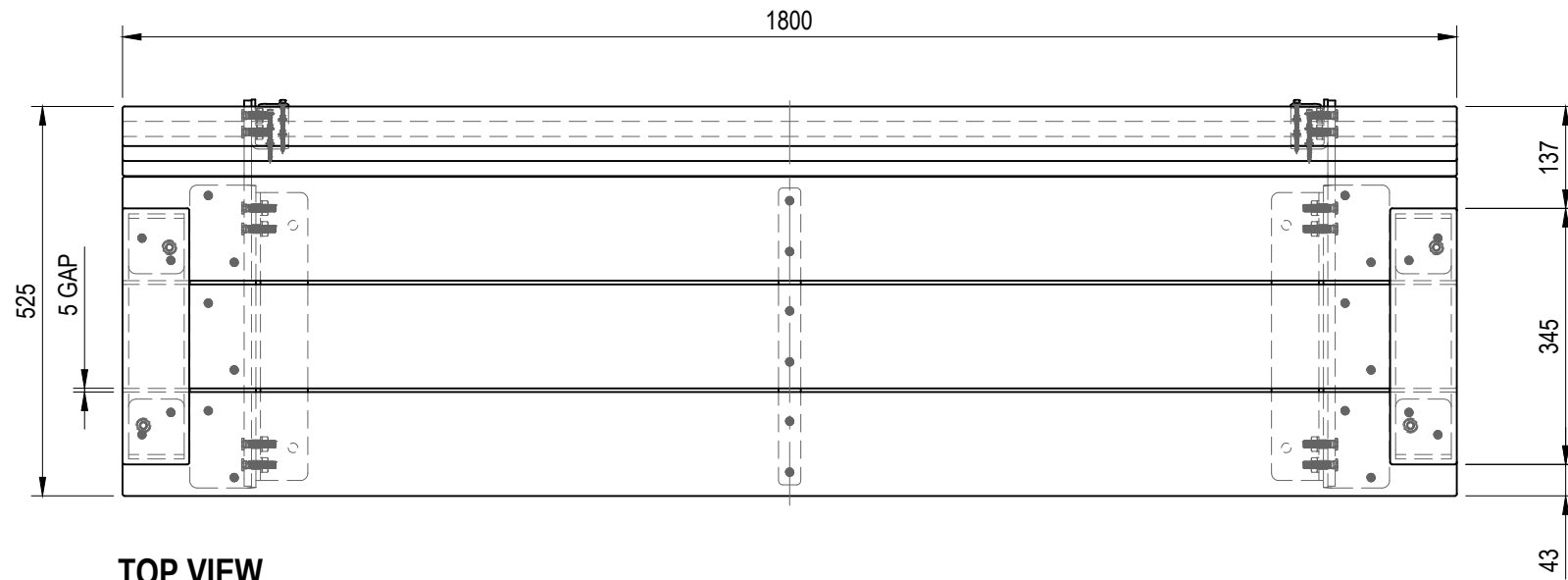
Furphy Foundry Pty Ltd
 A.B.N. 24 007 195 913
 21 Drummond Rd,
 Shepparton VIC 3630

PH: (03) 5831 2777
 FAX: (03) 5831 2681
 www.furphyfoundry.com.au
 sales@furphyfoundry.com.au

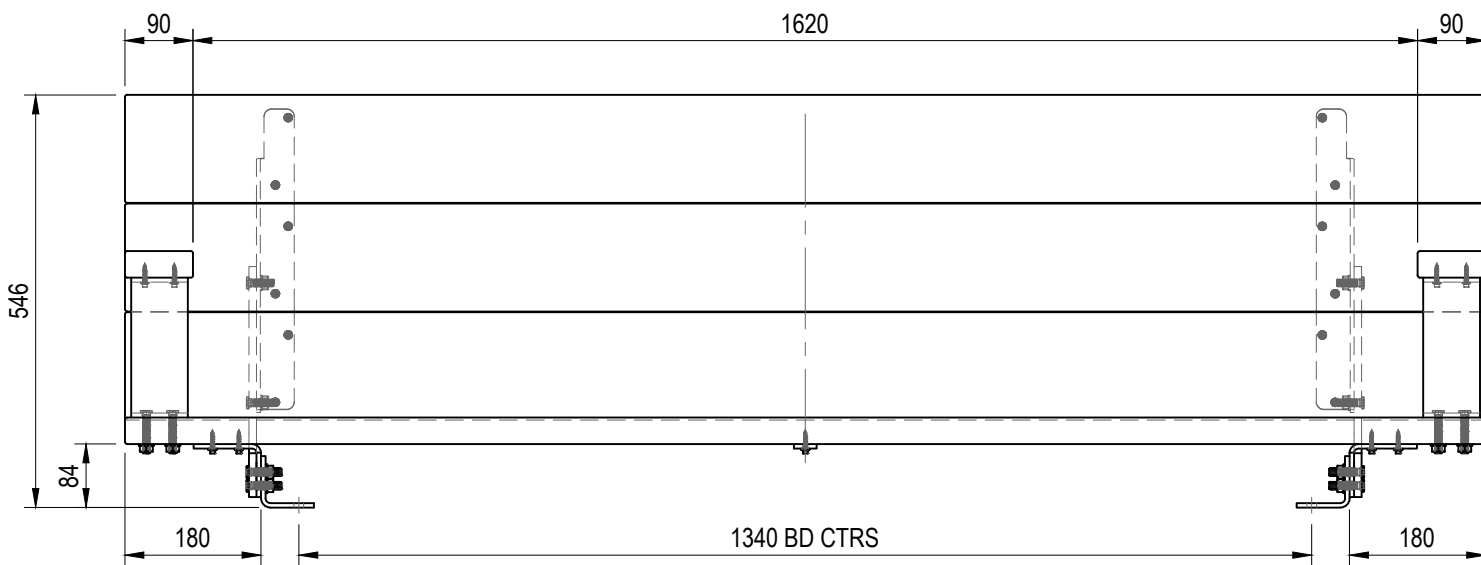
CLIENT NAME FURPHY FOUNDRY	PROJECT No. FFSC002081	PAGE A3
PROJECT Axis Furniture Range FFSC002081 - 1800mm Seat - Plinth Mount	DATE: 1/08/2024	DRAWN Joel Rose
DRAWING TITLE 1800mm Seat - Plinth Mount	DRAWING No. FFSC002081	SCALE 1:10
PART No. FFSC002081	SHEET No. 1/2	REV.

AXIS SEAT - PLINTH MOUNT

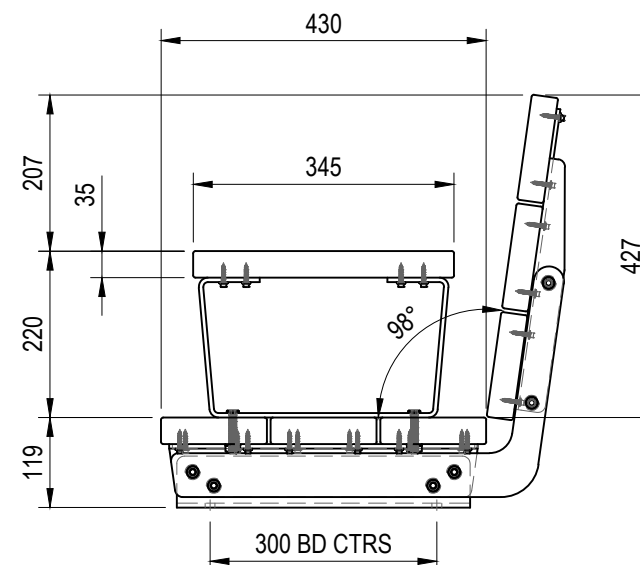
FFSC002081 - 1800mm Seat - Plinth Mount - Arm Rest



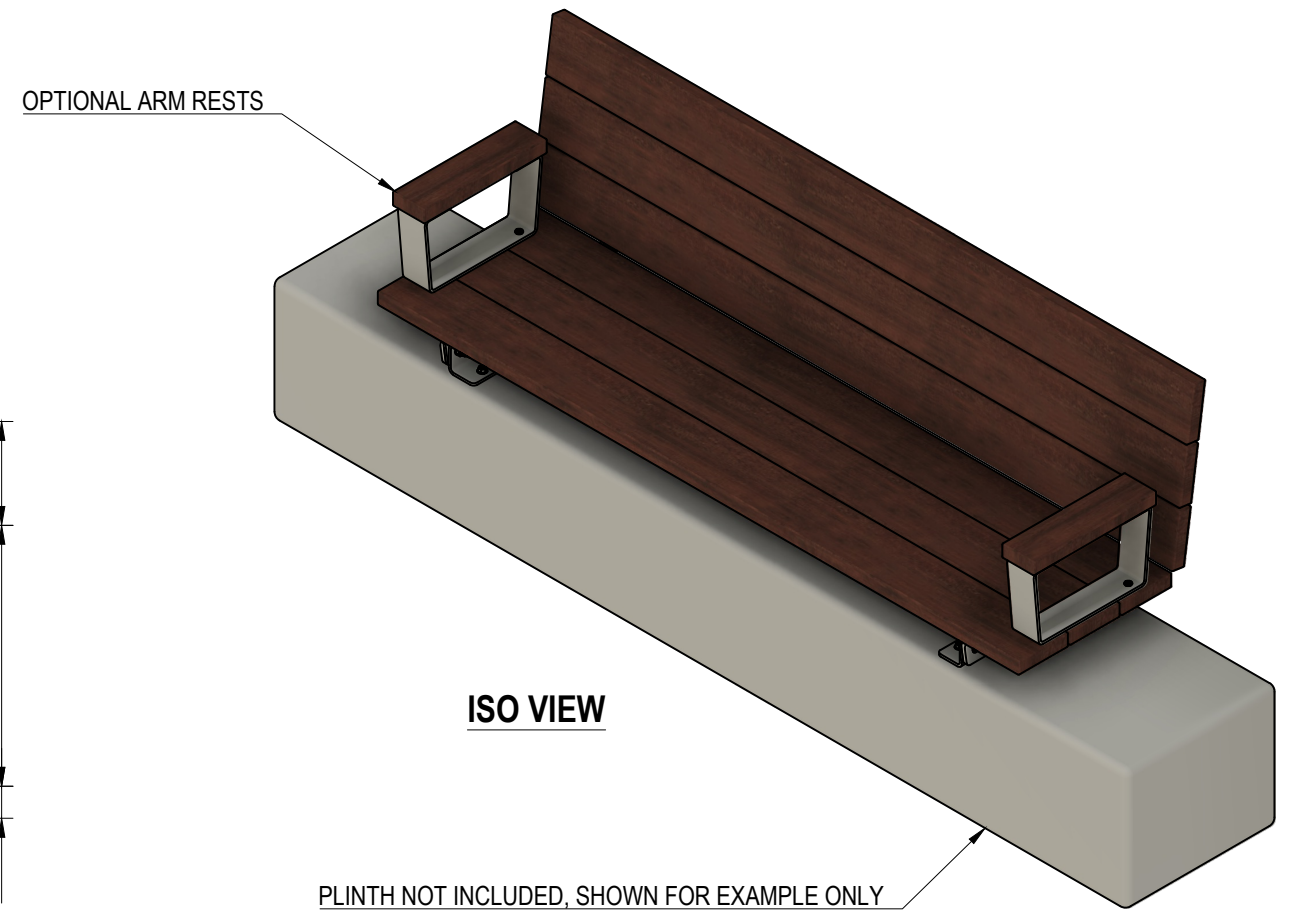
TOP VIEW



FRONT VIEW



END VIEW



ISO VIEW

PLINTH NOT INCLUDED, SHOWN FOR EXAMPLE ONLY

SPECIFICATIONS:

- FRAME:** STAINLESS STEEL 304 GRADE & POWDERCOAT FINISH
- FIXINGS:** STAINLESS STEEL UNLESS NOTED OTHERWISE
- SLATS:** KILN DRIED HARDWOOD DRESSED ALL SIDES WITH PENCIL ROUNDED EDGES

Revision History

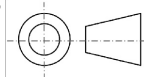
Rev	Description	Date	Approved
-----	-------------	------	----------



© FURPHY FOUNDRY PTY LTD.

THIS DOCUMENT IS AND SHALL REMAIN THE PROPERTY OF FURPHY FOUNDRY. UNAUTHORISED USE OF THIS DOCUMENT IN ANY FORM IS PROHIBITED.

UNLESS OTHERWISE SPECIFIED, DIMENSIONS ARE IN mm
DO NOT SCALE
BREAK ALL SHARP EDGES AND REMOVE BURRS



TOLERANCES
X: ±0.25
Y: ±0.1
XX: ±0.05
ANGLES: ±0.1°



Furphy Foundry Pty Ltd
A.B.N. 24 007 195 913
21 Drummond Rd,
Shepparton VIC 3630
PH: (03) 5831 2777
FAX: (03) 5831 2681
www.furphyfoundry.com.au
sales@furphyfoundry.com.au

CLIENT NAME FURPHY FOUNDRY		PROJECT No. FFSC002081	PAGE A3
PROJECT Axis Furniture Range FFSC002081 - 1800mm Seat - Plinth Mount - Arm Rests		DATE: 1/08/2024	DRAWN Joel Rose
DRAWING TITLE 1800mm Seat - Plinth Mount		DRAWING No. FFSC002081	SCALE 1:10 (From parent)
PART No. FFSC002081		SHEET No. 2/2	REV.