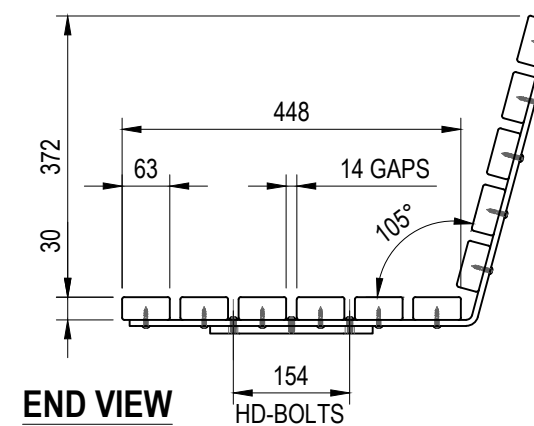
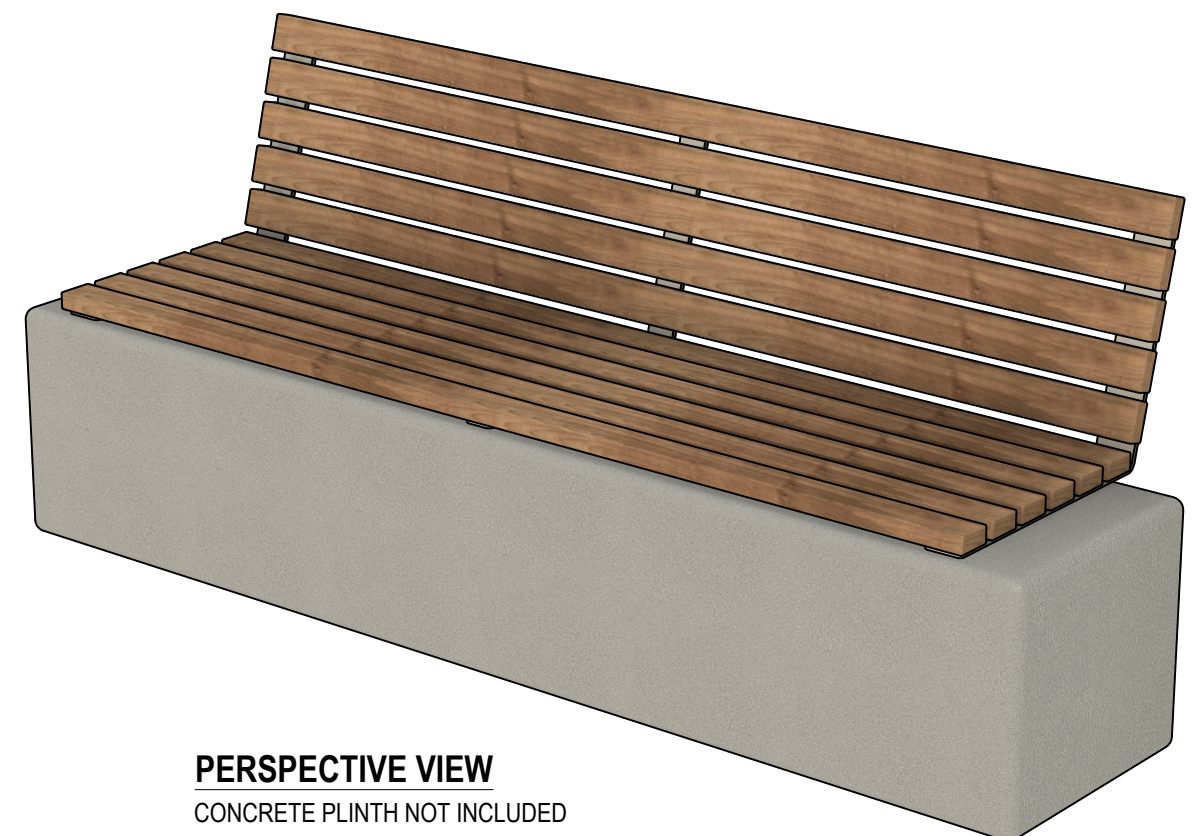
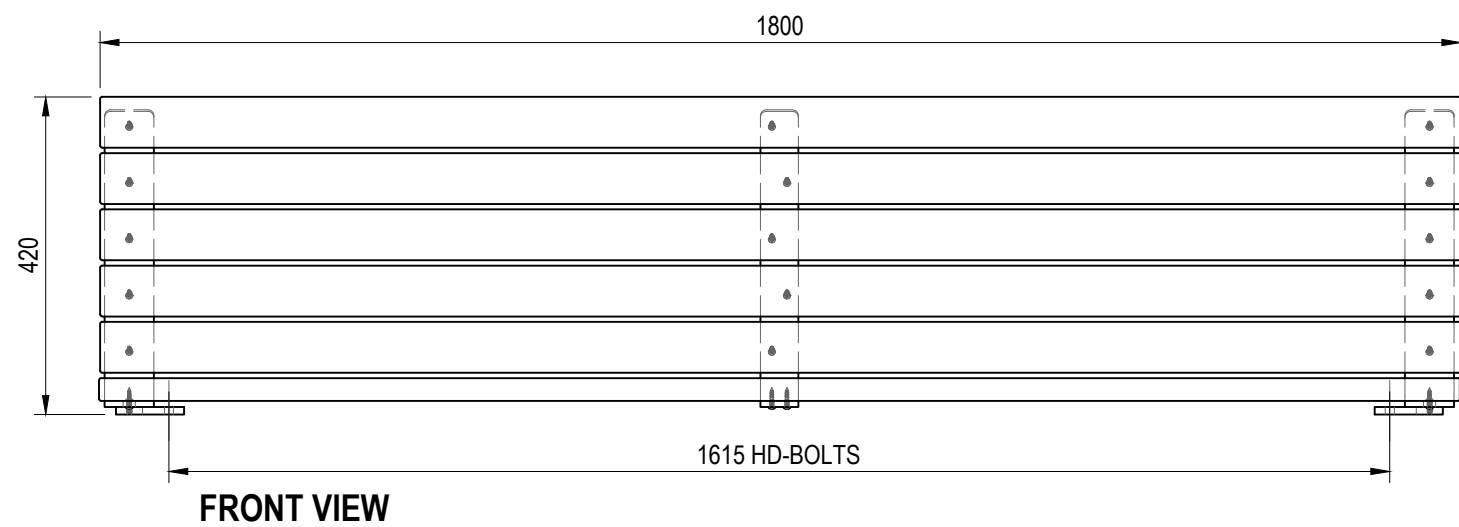
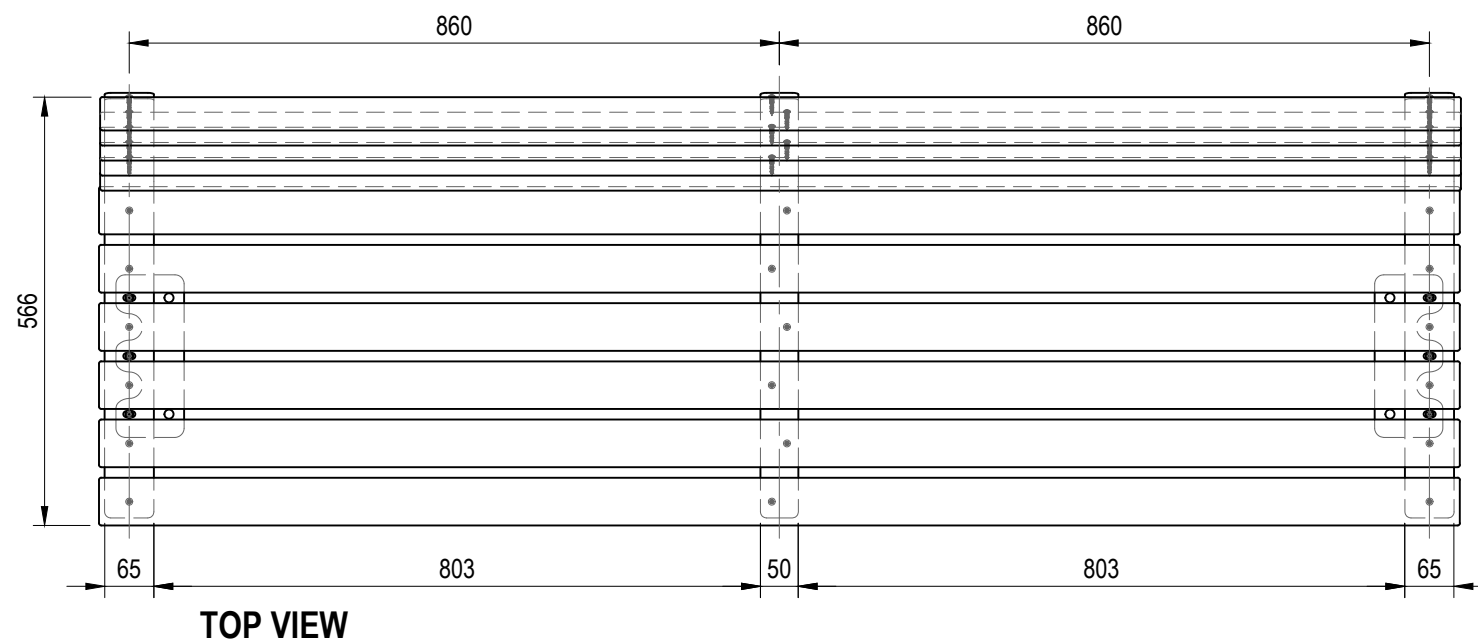


ECLIPSE SEAT

FFSC002015X - Eclipse - Seat - No/Armrests - 1800mm - Plinth Mount

SPECIFICATIONS SLATS

CODE	MATERIAL SLATS	FINISH SLATS	MATERIAL FIXINGS
FFSC002015	HARDWOOD TIMBER	STANDARD STAIN	STAINLESS STEEL
FFSC002015A	ALUMINIUM	CLEAR ANODISED	STAINLESS STEEL
FFSC002015APC	ALUMINIUM	POWDER COATED	STAINLESS STEEL
FFSC002015ATE	ALUMINIUM	TIMBER EFFECT	STAINLESS STEEL



SPECIFICATIONS:

MAIN CONSTRUCTION

MATERIALS:

- Legs - Stainless Steel 304
- Brackets - Stainless Steel 304

FINISH:

- STANDARD:
- Powder coated

GROUND FIXING OPTIONS

- Bolt Down (BD): M10 x 75mm Screwbolt Anchor GAL
- In Ground (IG): HD Bolt Kit GAL

Revision History

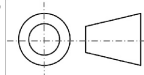
Rev	Description	Date	Approved



© FURPHY FOUNDRY PTY LTD.

THIS DOCUMENT IS AND SHALL REMAIN THE PROPERTY OF FURPHY FOUNDRY. UNAUTHORISED USE OF THIS DOCUMENT IN ANY FORM IS PROHIBITED.

UNLESS OTHERWISE SPECIFIED, DIMENSIONS ARE IN mm
DO NOT SCALE
BREAK ALL SHARP EDGES AND REMOVE BURRS



TOLERANCES
X: ±0.25
Y: ±0.1
XX: ±0.05
ANGLES: ±0.1°



Furphy Foundry Pty Ltd
A.B.N. 24 007 195 913
21 Drummond Rd,
Shepparton VIC 3630
PH: (03) 5831 2777
FAX: (03) 5831 2681
www.furphyfoundry.com.au
sales@furphyfoundry.com.au

CLIENT NAME	PROJECT No.	PAGE	
Furphy Foundry	ECLI-1011	A3	
PROJECT	DATE:	DRAWN	
Eclipse Furniture Range FFSC002015X Seat No/Armrests - 1800mm - Plinth Mount	26/11/2024	Joel Rose	
DRAWING TITLE	DRAWING No.	SCALE	
Eclipse - Seat - No/Armrests - 1800mm - Plinth Mount - Specification	ECLI-00009-SPE	1:20	
DRAWING TITLE	PART No.	SHEET No.	REV.
Eclipse - Seat - No/Armrests - 1800mm - Plinth Mount - Specification	FFSC002015X	1/1	---