



Quality
ISO 9001
SAI GLOBAL

SPECIFICATION:

MATERIAL:

Main construction - 304 Stainless steel
Slats - Hardwood timber
Fixings - Stainless steel

DIMENSIONS:

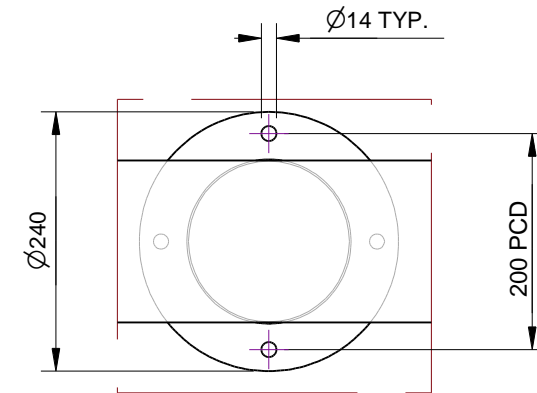
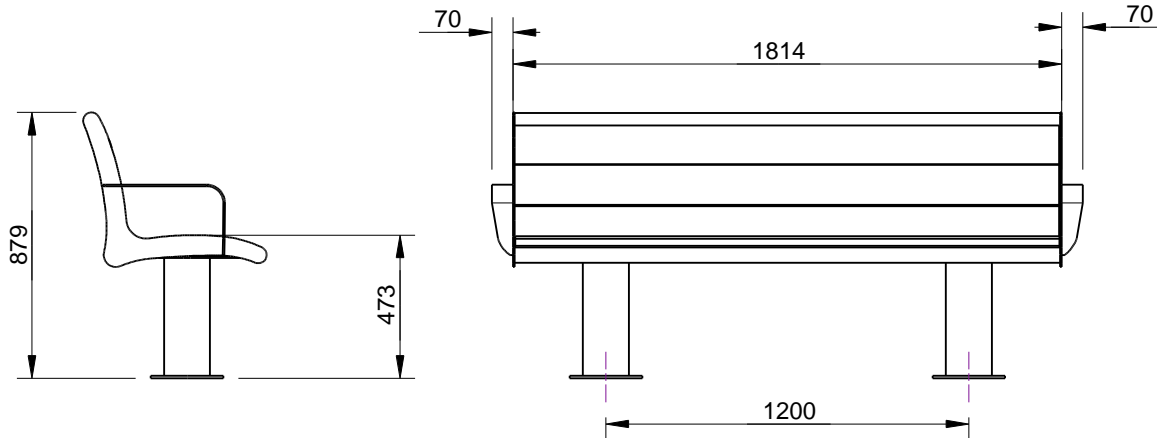
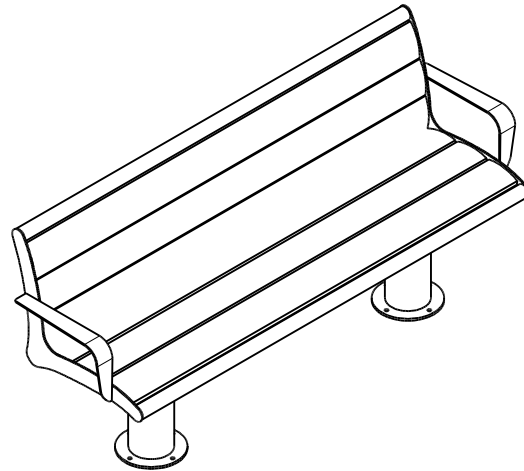
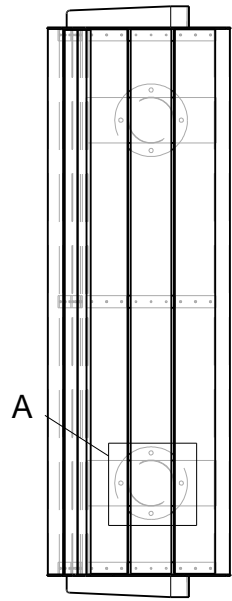
mm unless otherwise stated

FINISH:

Stainless steel components - Polished
Timbers - Oil based

GROUND ATTACHEMENT:

Bolt down

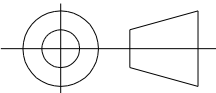


Detail A
BOLT DOWN DETAIL
SLATS REMOVED
FOR CLARITY



CONFIDENTIAL

REVISION	#	DESCRIPTION	BY	DATE	DRAWN	DRAWN DATE	CHECKED	CHECKED DATE	SCALE	A4
	1	ORIGINAL DRAWING	DN	30.9.10	R.CRIGTON	4.2.14			N/A	
2	FULL PRODUCT REVIEW	RBC	4.2.14							
3										
4										
5										



LYNDARUM SEAT (ARM RESTS) - BOLT DOWN SPEC.

FFSC002003

REV.
2

SHEET
1 OF 3