

SPECIFICATION:

MATERIAL:

Main construction - 304 Stainless steel
 Slats - Hardwood timber
 Fixings - Stainless steel

DIMENSIONS:

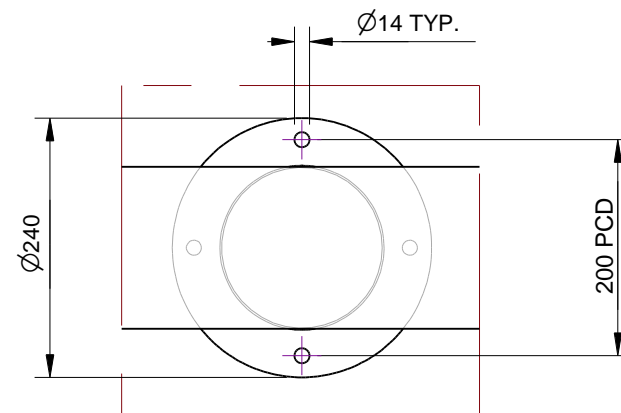
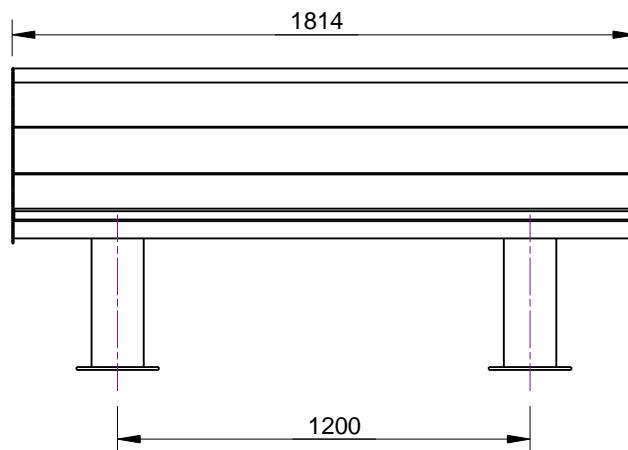
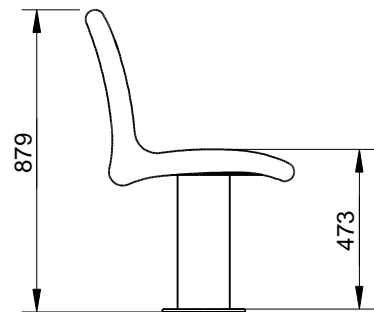
mm unless otherwise stated

FINISH:

Stainless steel components - Polished
 Timbers - Oil based

GROUND ATTACHEMENT:

Bolt down



Detail A
 BOLT DOWN DETAIL
 SLATS REMOVED
 FOR CLARITY

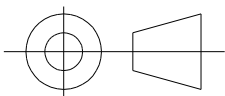


Quality
 ISO 9001



CONFIDENTIAL

REVISION #	DESCRIPTION	BY	DATE	DRAWN	DRAWN DATE	CHECKED	CHECKED DATE	SCALE	A4
2	FULL PRODUCT REVIEW	RBC	4.2.14						
3									
4									
5									



LYNDARUM SEAT - BOLT DOWN SPEC.
 FFSC002001
 REV. 2
 SHEET 1 OF 3