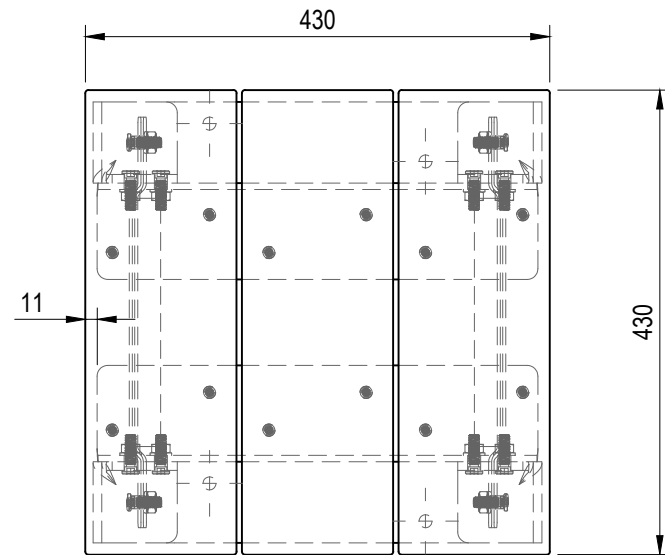
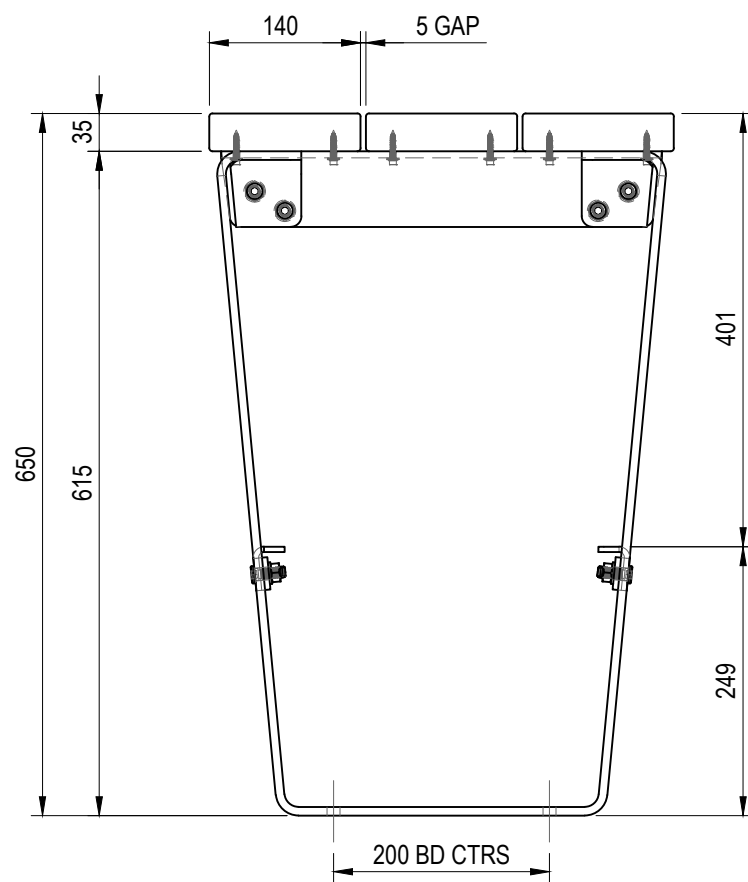


# AXIS SQUARE BAR STOOL

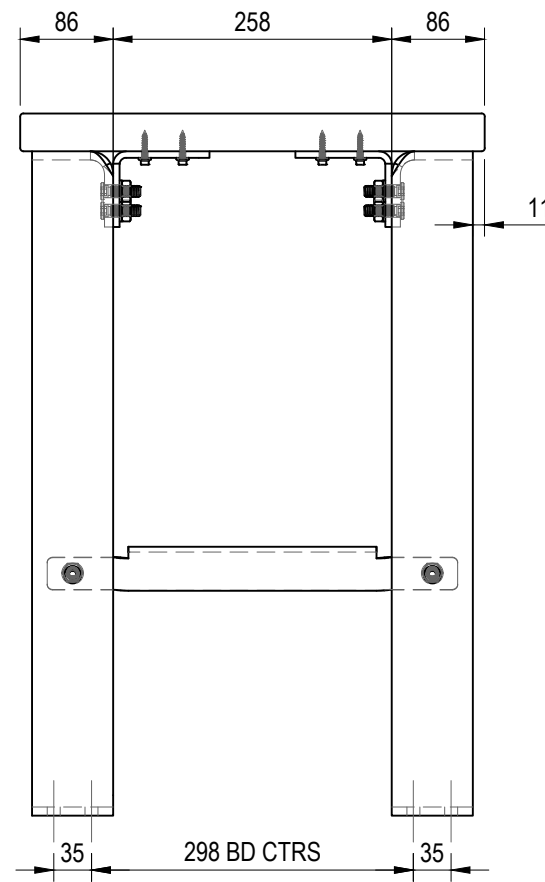
FFSC001096 - Square Bar Stool - 430mm



TOP VIEW



FRONT VIEW



END VIEW



ISO VIEW

### SPECIFICATIONS:

- FRAME:** STAINLESS STEEL 304 GRADE & POWDERCOAT FINISH
- FIXINGS:** STAINLESS STEEL UNLESS NOTED OTHERWISE
- SLATS:** KILN DRIED HARDWOOD DRESSED ALL SIDES WITH PENCIL ROUNDED EDGES

### Revision History

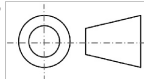
Rev	Description	Date	Approved
-----	-------------	------	----------



© FURPHY FOUNDRY PTY LTD.

THIS DOCUMENT IS AND SHALL REMAIN THE PROPERTY OF FURPHY FOUNDRY. UNAUTHORISED USE OF THIS DOCUMENT IN ANY FORM IS PROHIBITED.

UNLESS OTHERWISE SPECIFIED, DIMENSIONS ARE IN mm  
**DO NOT SCALE**  
BREAK ALL SHARP EDGES AND REMOVE BURRS



TOLERANCES  
X: ±0.25  
Y: ±0.1  
XX: ±0.05  
ANGLES: ±0.1°



Furphy Foundry Pty Ltd  
A.B.N. 24 007 195 913  
21 Drummond Rd,  
Shepparton VIC 3630  
PH: (03) 5831 2777  
FAX: (03) 5831 2681  
www.furphyfoundry.com.au  
sales@furphyfoundry.com.au

CLIENT NAME FURPHY FOUNDRY		PROJECT No. FFSC001096	PAGE A3
PROJECT Axis Furniture Range FFSC001096 - Square Bar Stool - 430mm		DATE: 19/09/2024	DRAWN Joel Rose
DRAWING TITLE Square Bar Stool - 430mm		DRAWING No. FFSC001096	SCALE 1:10
PART No. FFSC001096		SHEET No. 1/1	REV.