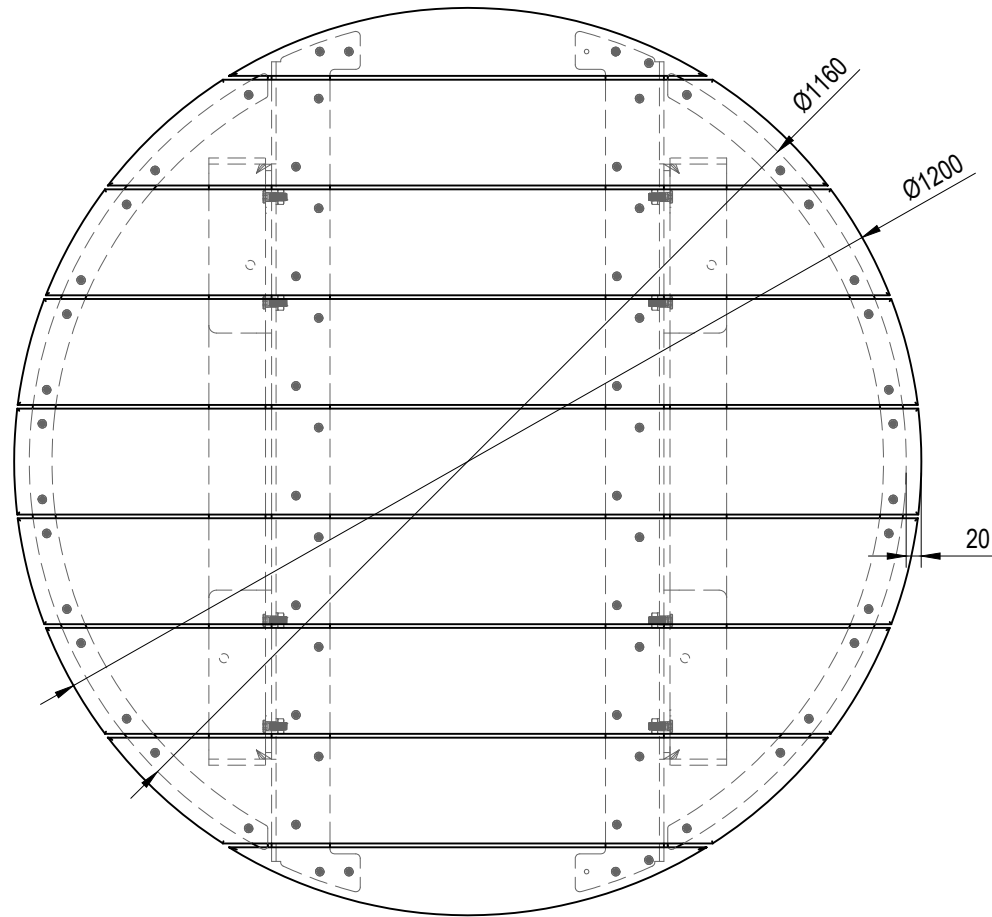


AXIS ROUND POD BENCH

FFSC001094 - Round Pod Bench 1.2m DIA

SPECIFICATIONS:

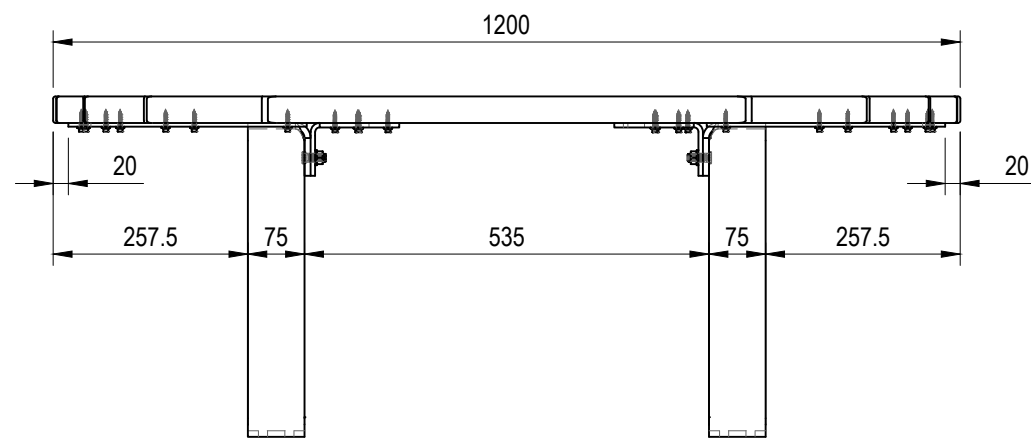
- FRAME:** STAINLESS STEEL 304 GRADE & POWDERCOAT FINISH
- FIXINGS:** STAINLESS STEEL UNLESS NOTED OTHERWISE
- SLATS:** KILN DRIED HARDWOOD DRESSED ALL SIDES WITH PENCIL ROUNDED EDGES



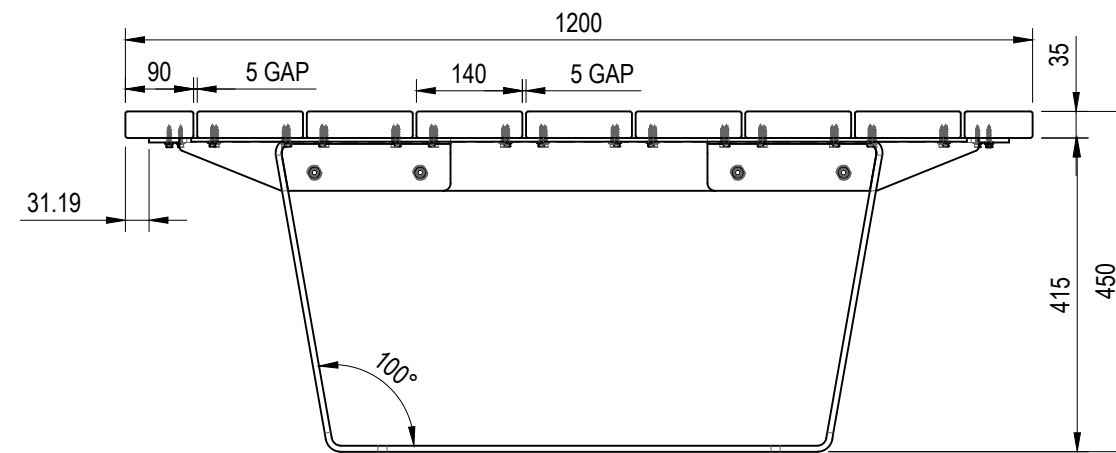
TOP VIEW



ISO VIEW



FRONT VIEW



SIDE VIEW

Revision History			
Rev	Description	Date	Approved

FURPHY FOUNDRY PTY LTD.

THIS DOCUMENT IS AND SHALL REMAIN THE PROPERTY OF FURPHY FOUNDRY. UNAUTHORISED USE OF THIS DOCUMENT IN ANY FORM IS PROHIBITED.

UNLESS OTHERWISE SPECIFIED, DIMENSIONS ARE IN mm
DO NOT SCALE
 BREAK ALL SHARP EDGES AND REMOVE BURRS

TOLERANCES
 X: ±0.25
 Y: ±0.1
 XX: ±0.05
 ANGLES: ±0.1°

FURPHY
 FOUNDRY EST. 1864

Furphy Foundry Pty Ltd
 A.B.N. 24 007 195 913
 21 Drummond Rd,
 Shepparton VIC 3630

PH: (03) 5831 2777
 FAX: (03) 5831 2681
 www.furphyfoundry.com.au
 sales@furphyfoundry.com.au

CLIENT NAME FURPHY FOUNDRY	PROJECT No. FFSC001094	PAGE A3
PROJECT Axis Furniture Range FFSC001094 - Round Pod Bench 1.2m dia	DATE: 5/09/2024	DRAWN Joel Rose
DRAWING TITLE Round Pod Bench 1.2m DIA	DRAWING No. FFSC001094	SCALE 1:10
PART No. FFSC001094	SHEET No. 1/1	REV.