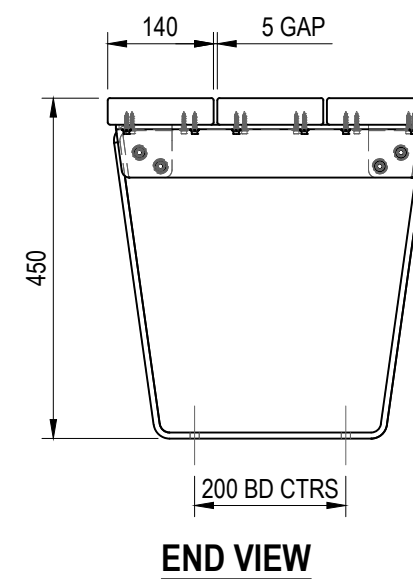
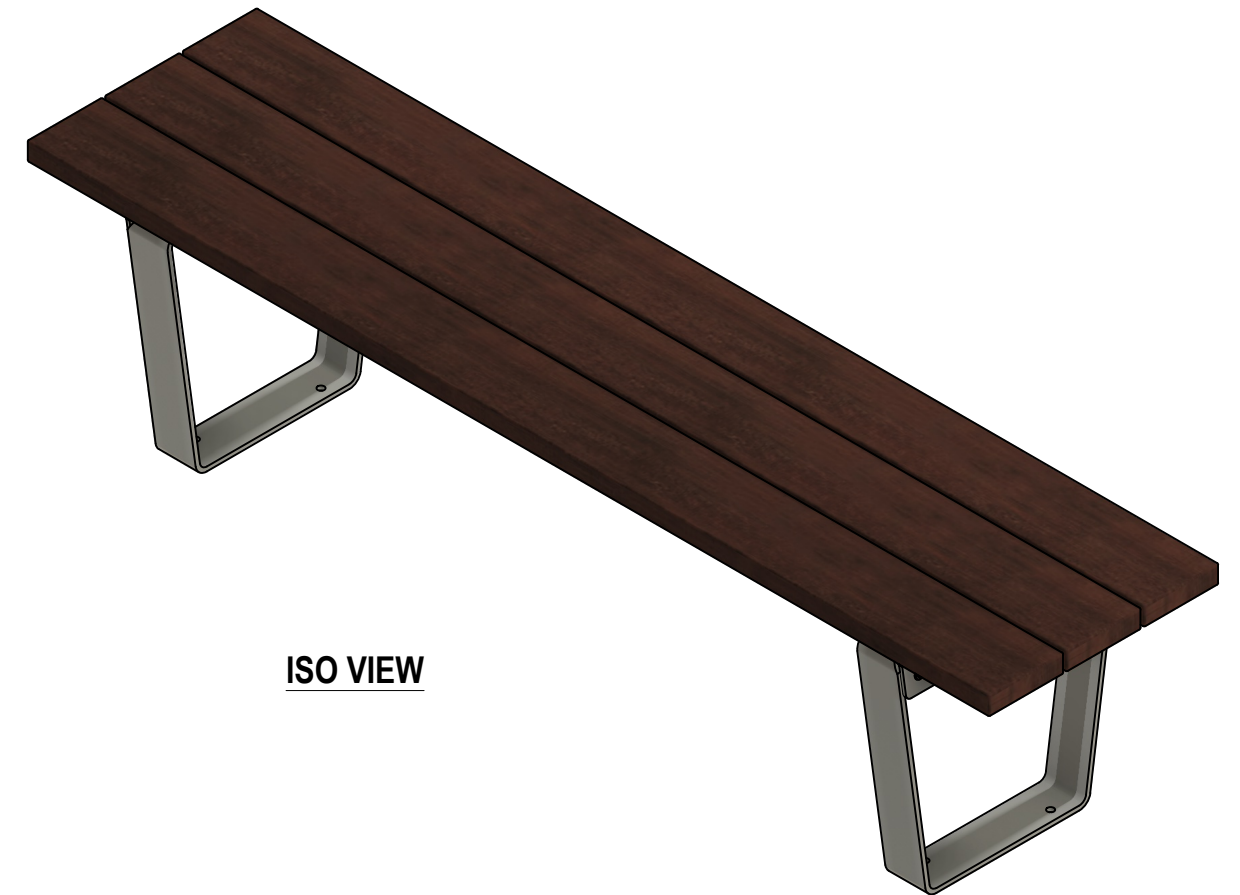
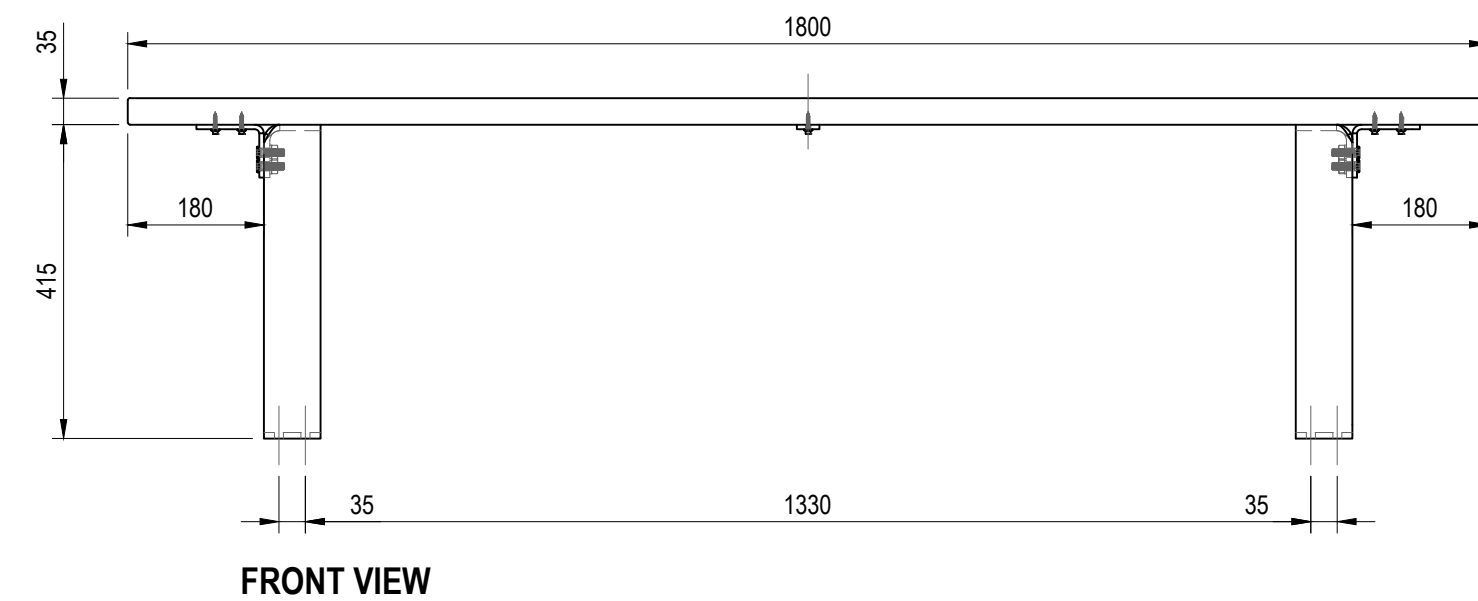
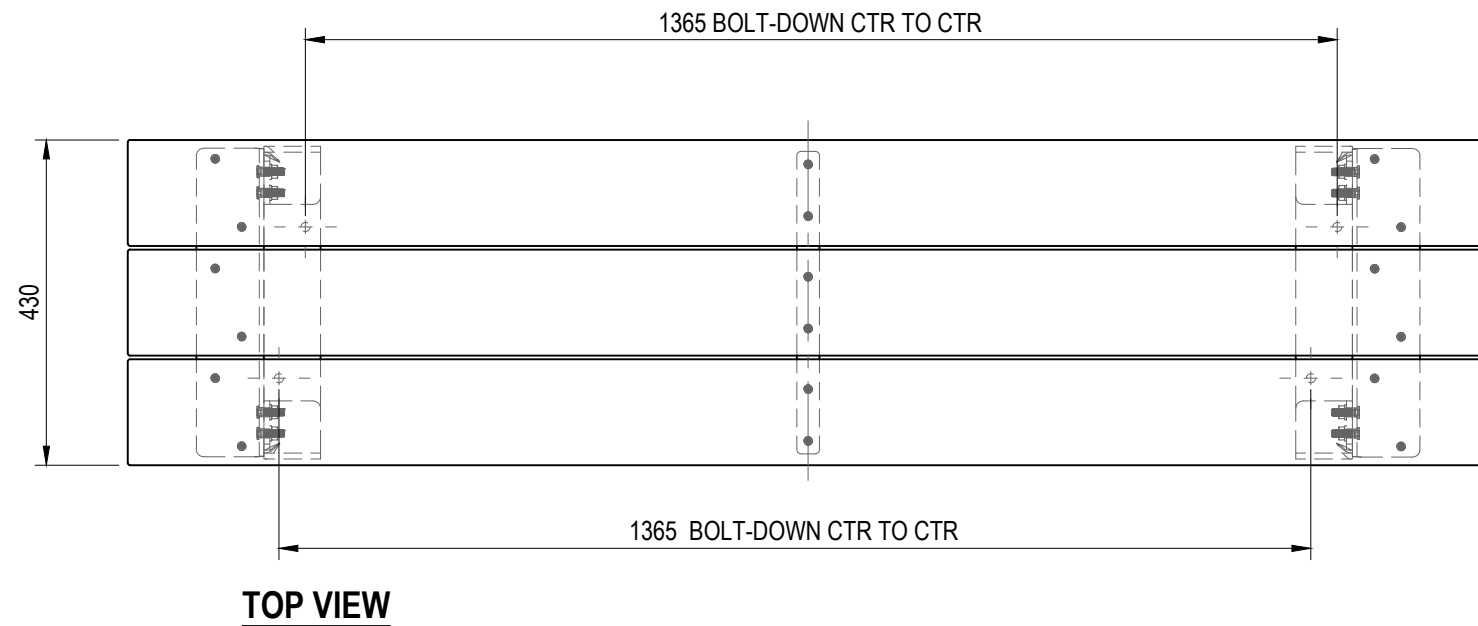


AXIS BENCH

FFSC001080 - 1800mm Bench




SPECIFICATIONS:

- FRAME:** STAINLESS STEEL 304 GRADE & POWDERCOAT FINISH
- FIXINGS:** STAINLESS STEEL UNLESS NOTED OTHERWISE
- SLATS:** KILN DRIED HARDWOOD DRESSED ALL SIDES WITH PENCIL ROUNDED EDGES

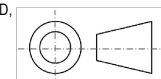
Revision History

Rev	Description	Date	Approved



© FURPHY FOUNDRY PTY LTD.
 THIS DOCUMENT IS AND SHALL REMAIN THE PROPERTY OF FURPHY FOUNDRY. UNAUTHORISED USE OF THIS DOCUMENT IN ANY FORM IS PROHIBITED.

UNLESS OTHERWISE SPECIFIED, DIMENSIONS ARE IN mm
DO NOT SCALE
 BREAK ALL SHARP EDGES AND REMOVE BURRS



TOLERANCES
 X: ±0.25
 X: ±0.1
 XX: ±0.05
 ANGLES: ±0.1°



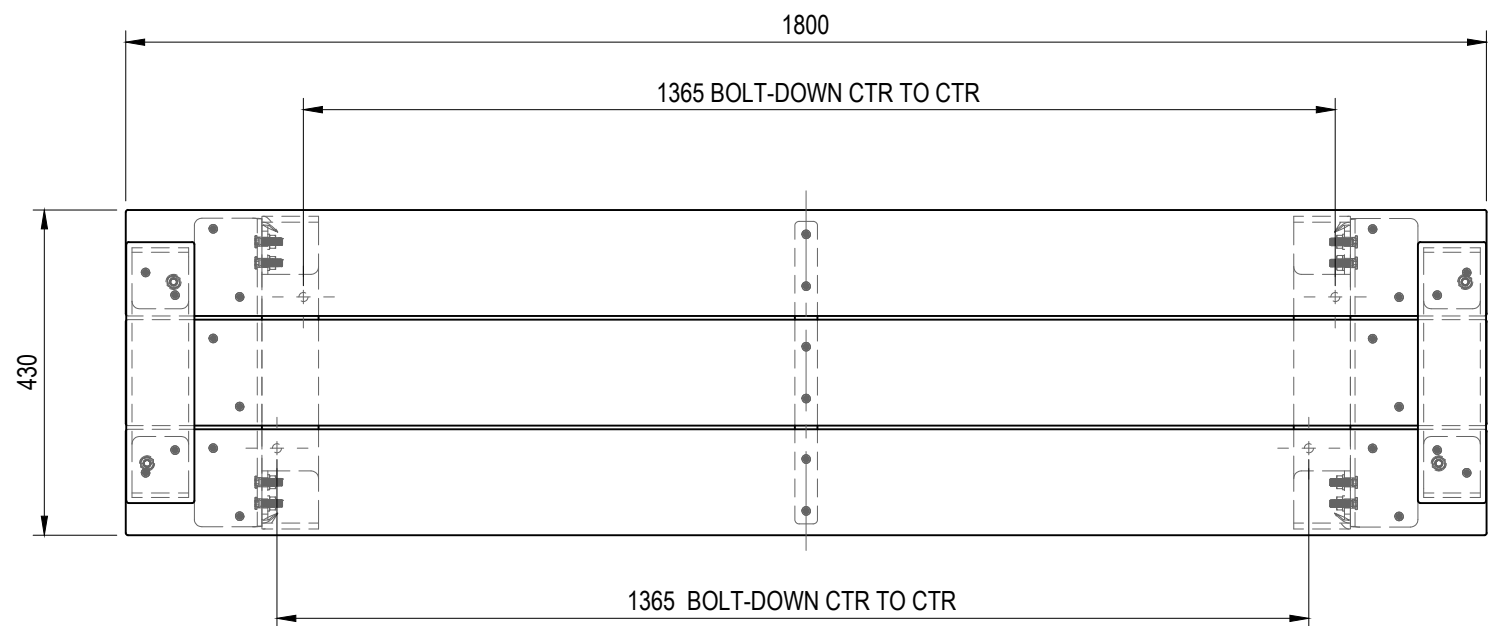
Furphy Foundry Pty Ltd
 A.B.N. 24 007 195 913
 21 Drummond Rd,
 Shepparton VIC 3630

PH: (03) 5831 2777
 FAX: (03) 5831 2681
 www.furphyfoundry.com.au
 sales@furphyfoundry.com.au

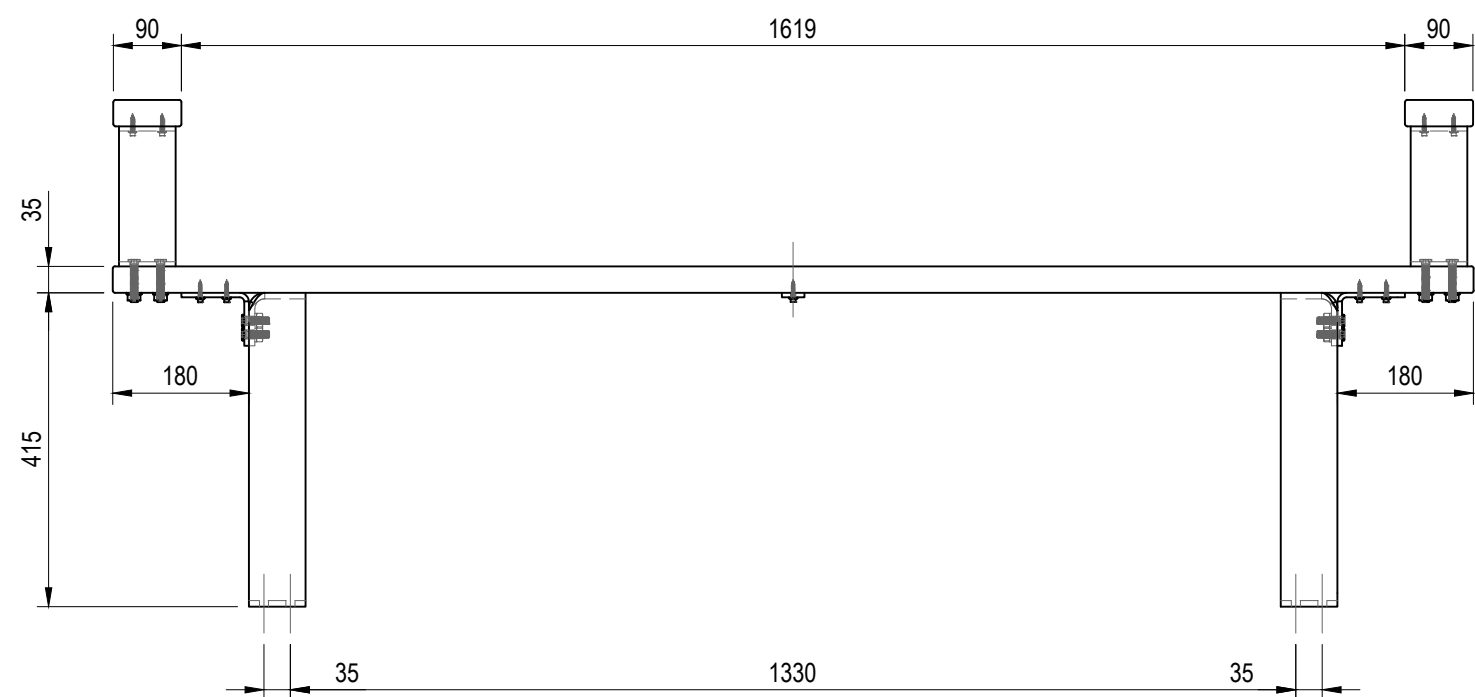
CLIENT NAME FURPHY FOUNDRY	PROJECT No. FFSC001080	PAGE A3
PROJECT Axis Furniture Range FFSC001080 - 1800mm Bench	DATE: 11/07/2024	DRAWN Joel Rose
DRAWING TITLE 1800mm Bench	DRAWING No. FFSC001080	SCALE 1:10
PART No. FFSC001080	SHEET No. 1/2	REV.

AXIS BENCH

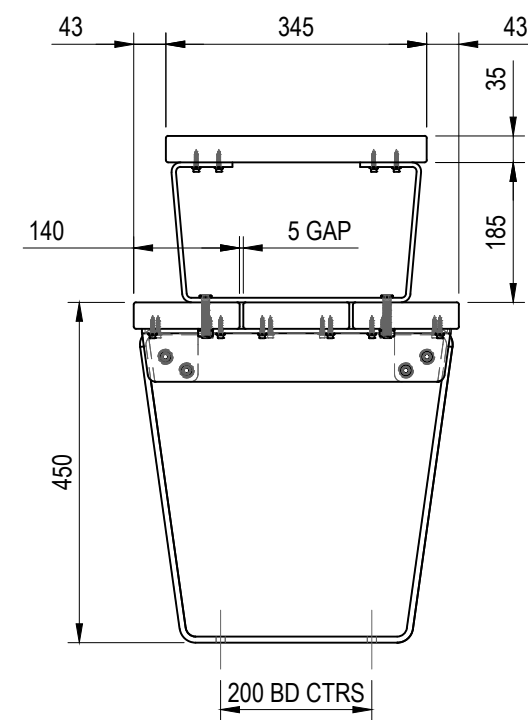
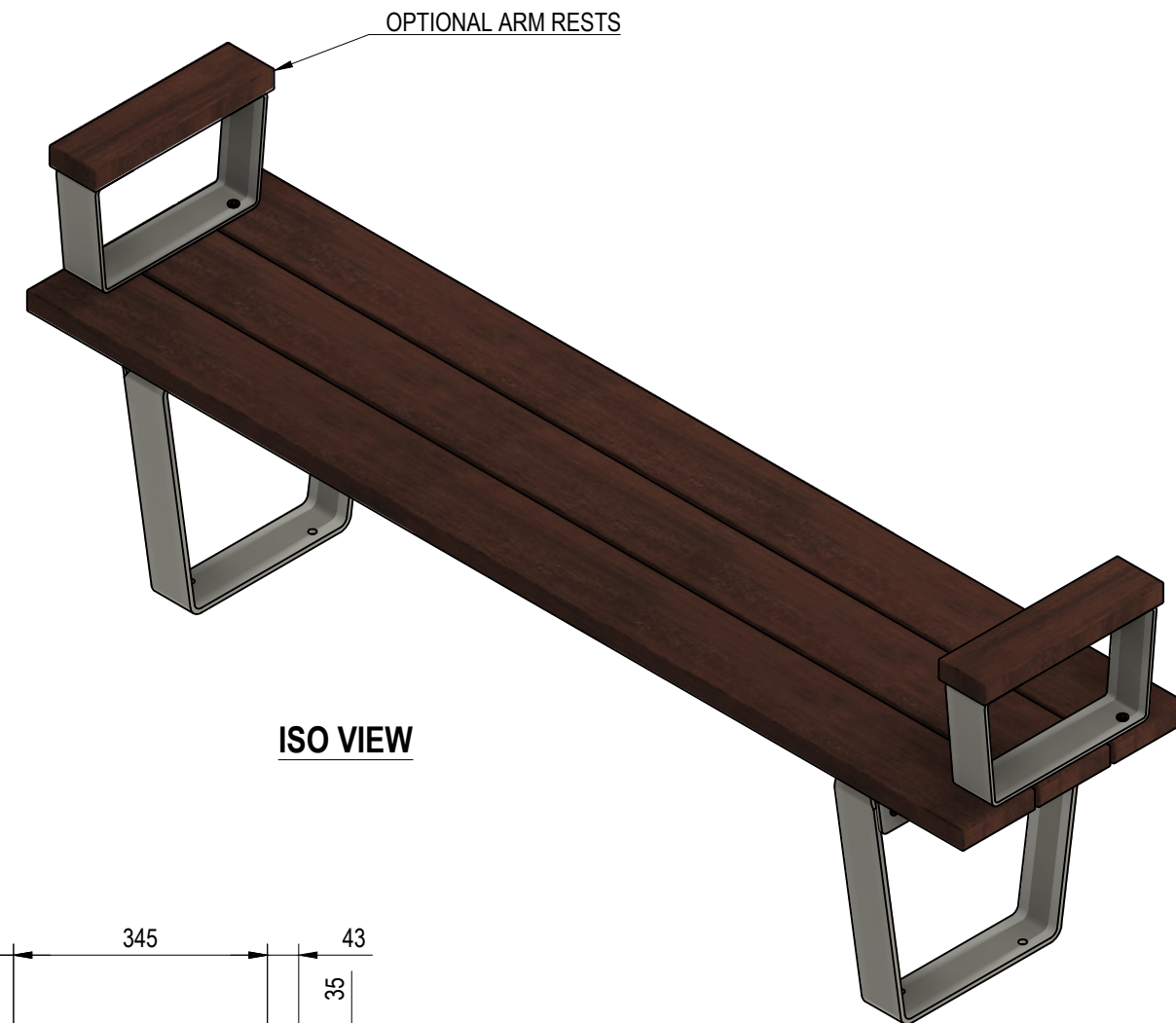
FFSC001080 - 1800mm Bench - Arm Rest



TOP VIEW



FRONT VIEW



END VIEW

SPECIFICATIONS:

- FRAME:** STAINLESS STEEL 304 GRADE & POWDERCOAT FINISH
- FIXINGS:** STAINLESS STEEL UNLESS NOTED OTHERWISE
- SLATS:** KILN DRIED HARDWOOD DRESSED ALL SIDES WITH PENCIL ROUNDED EDGES

Revision History			
Rev	Description	Date	Approved

F © FURPHY FOUNDRY PTY LTD.

THIS DOCUMENT IS AND SHALL REMAIN THE PROPERTY OF FURPHY FOUNDRY. UNAUTHORISED USE OF THIS DOCUMENT IN ANY FORM IS PROHIBITED.

UNLESS OTHERWISE SPECIFIED, DIMENSIONS ARE IN mm
DO NOT SCALE
 BREAK ALL SHARP EDGES AND REMOVE BURRS

TOLERANCES
 X: ±0.25
 Y: ±0.1
 XX: ±0.05
 ANGLES: ±0.1°

FURPHY
 FOUNDRY EST. 1864

Furphy Foundry Pty Ltd
 A.B.N. 24 007 195 913
 21 Drummond Rd,
 Shepparton VIC 3630

PH: (03) 5831 2777
 FAX: (03) 5831 2681
 www.furphyfoundry.com.au
 sales@furphyfoundry.com.au

CLIENT NAME FURPHY FOUNDRY	PROJECT No. FFSC001080	PAGE A3
PROJECT Axis Furniture Range FFSC001080 - 1800mm Bench - Arm Rests	DATE: 11/07/2024	DRAWN Joel Rose
DRAWING TITLE 1800mm Bench	PART No. FFSC001080	SCALE 1:10
	SHEET No. 2/2	REV.