

ECLIPSE BENCH

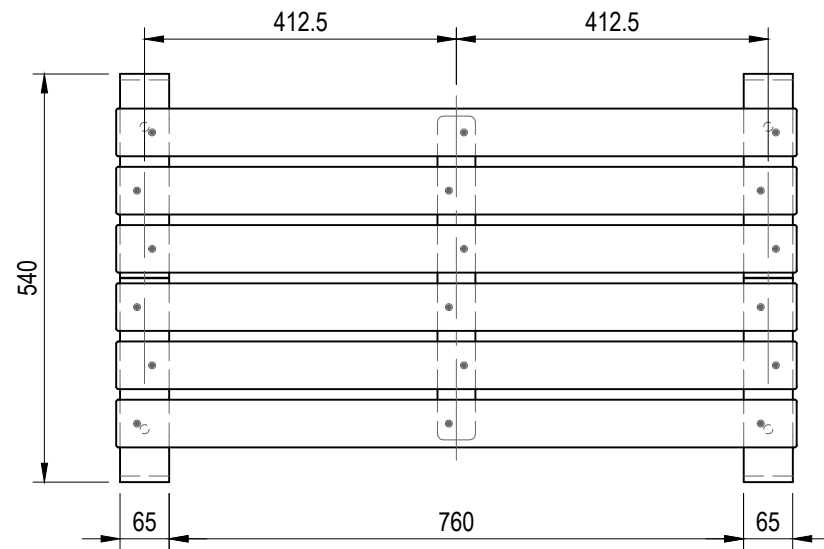
FFSC001005X - Eclipse - Bench - 900m

SPECIFICATIONS SLATS

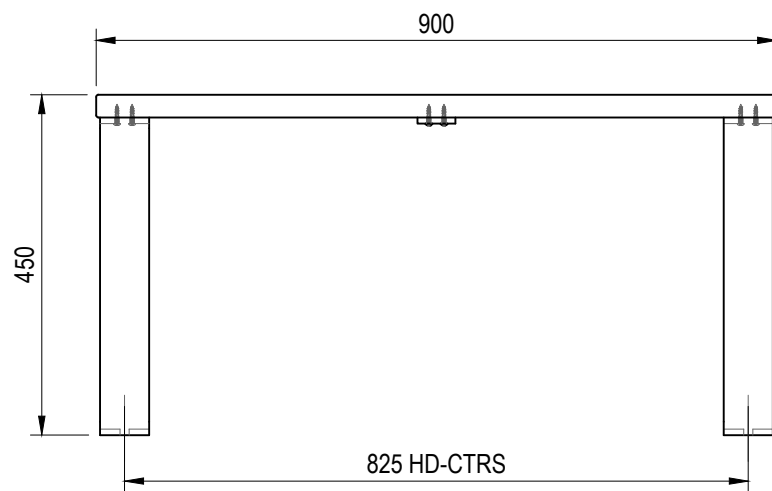
CODE	MATERIAL SLATS	FINISH SLATS	MATERIAL FIXINGS
FFSC001005	HARDWOOD TIMBER	STANDARD STAIN	STAINLESS STEEL
FFSC001005A	ALUMINIUM	CLEAR ANODISED	STAINLESS STEEL
FFSC001005APC	ALUMINIUM	POWDER COATED	STAINLESS STEEL
FFSC001005ATE	ALUMINIUM	TIMBER EFFECT	STAINLESS STEEL



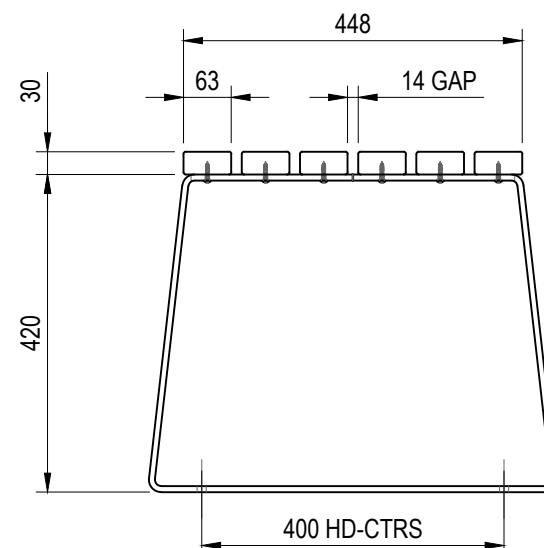
PERSPECTIVE VIEW



TOP VIEW



FRONT VIEW



END VIEW

SPECIFICATIONS:

MAIN CONSTRUCTION

MATERIALS:

- Legs - Stainless Steel 304
- Brackets - Stainless Steel 304

FINISH:

- STANDARD:
- Powder coated

GROUND FIXING OPTIONS

- Bolt Down (BD): M10 x 75mm Screwbolt Anchor GAL
- In Ground (IG): HD Bolt Kit GAL

Revision History

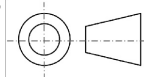
Rev	Description	Date	Approved



© FURPHY FOUNDRY PTY LTD.

THIS DOCUMENT IS AND SHALL REMAIN THE PROPERTY OF FURPHY FOUNDRY. UNAUTHORISED USE OF THIS DOCUMENT IN ANY FORM IS PROHIBITED.

UNLESS OTHERWISE SPECIFIED, DIMENSIONS ARE IN mm
DO NOT SCALE
BREAK ALL SHARP EDGES AND REMOVE BURRS



TOLERANCES
X: ±0.25
X: ±0.1
XX: ±0.05
ANGLES: ±0.1°



Furphy Foundry Pty Ltd
A.B.N. 24 007 195 913
21 Drummond Rd,
Shepparton VIC 3630
PH: (03) 5831 2777
FAX: (03) 5831 2681
www.furphyfoundry.com.au
sales@furphyfoundry.com.au

CLIENT NAME Furphy Foundry	PROJECT No. ECLI-1011	PAGE A3
PROJECT Eclipse Furniture Range FFSC001005X - Bench - 900mm	DATE: 15/11/2024	DRAWN Joel Rose
DRAWING TITLE Eclipse - Bench - 900m - Specification	DRAWING No. ECLI-00004-SPE	SCALE 1:10
PART No. FFSC001005X	SHEET No. 1/1	REV. ----