

BOLT DOWN DETAIL
LID HIDDEN FOR CLARRITY

SPECIFICATION:

MATERIAL:
Main construction - Mild steel

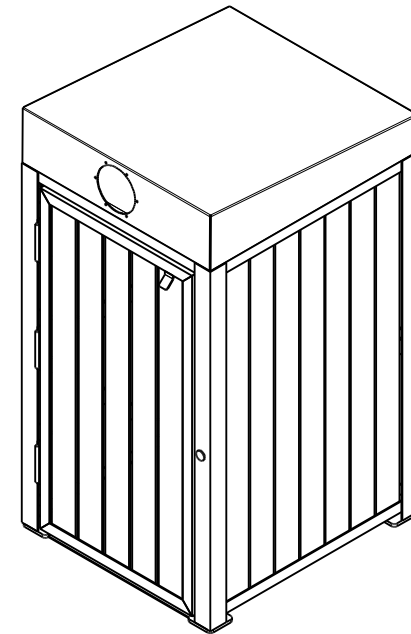
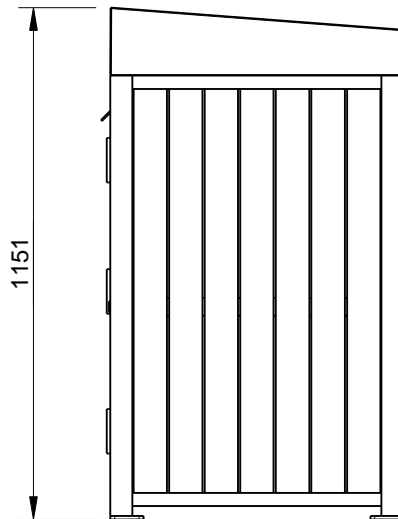
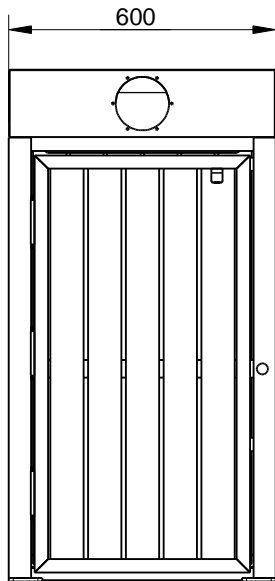
DIMENSIONS:
All in mm unless otherwise stated

FINISH:
Galvanised with optional powder coat

GROUND ATTACHEMENT:
Bolt down



Quality
ISO 9001
SAI GLOBAL



CONFIDENTIAL

REVISION #	DESCRIPTION	BY	DATE	DRAWN	DRAWN DATE	CHECKED	CHECKED DATE	SCALE		
								A4		
1	ORIGINAL DRAWING	DN	3.2.11	R.CRIGTON	14.1.14			N/A		
2	FULL PRODUCT REVIEW	RBC	14.1.14					STEEL SLATTED AVENUE RECYCLE UNIT 120L SPEC.		
3										
4										
5								FFSB013024	REV. 2	SHEET 1 OF 3

