

## SPECIFICATION:

### MATERIAL:

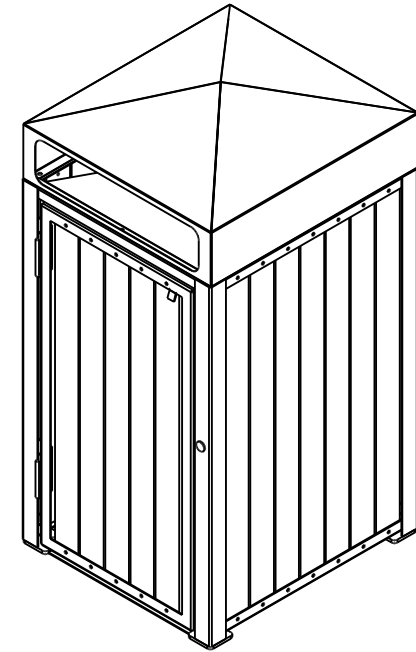
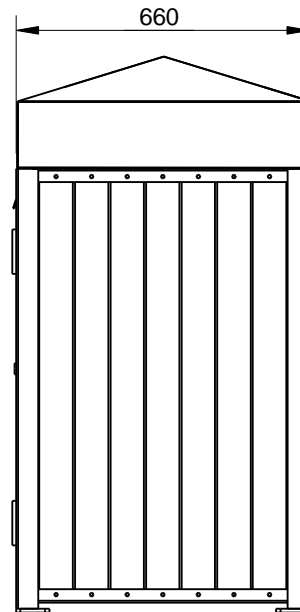
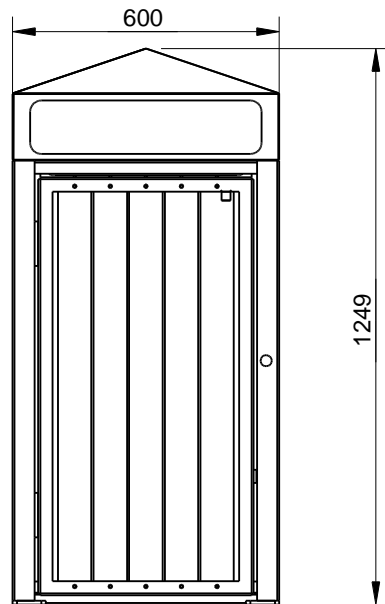
Mild steel unless otherwise stated  
Slats: Hardwood timber

### DIMENSIONS:

All in mm unless otherwise stated

### FINISH:

Steel - Powder Coat  
Timber - Oil Based



Quality  
ISO 9001



copyright

CONFIDENTIAL

REVISION #	DESCRIPTION	BY	DATE	DRAWN	DRAWN DATE	CHECKED	CHECKED DATE	SCALE	
								N/A	
1	ORIGINAL DRAWING	SJ	14.1.11	R.CRIGTON	16.3.14			A4	
2	FULL PRODUCT REVIEW	RBC	16.3.14						
3									
4									
5									
								AVENUE LITTER RECEPTACLE 120L - PYRAMID LID SPEC. FFSB013006	