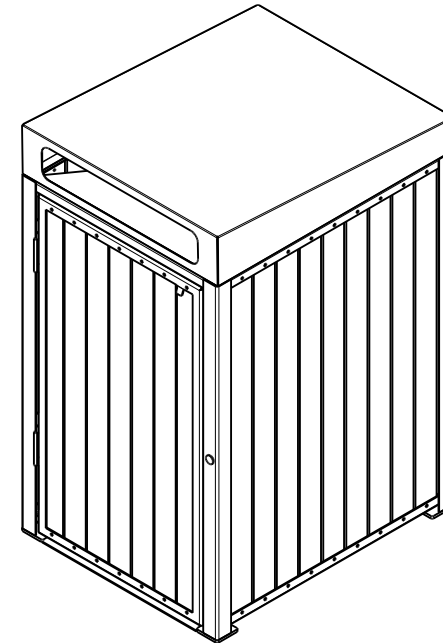
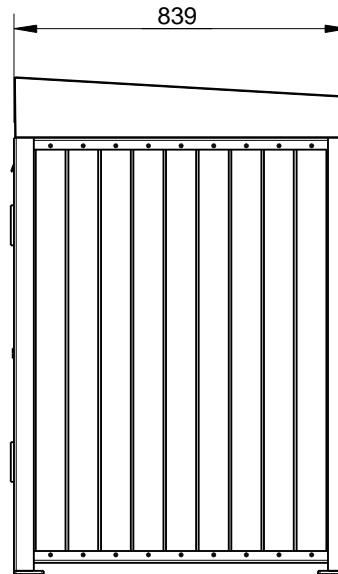
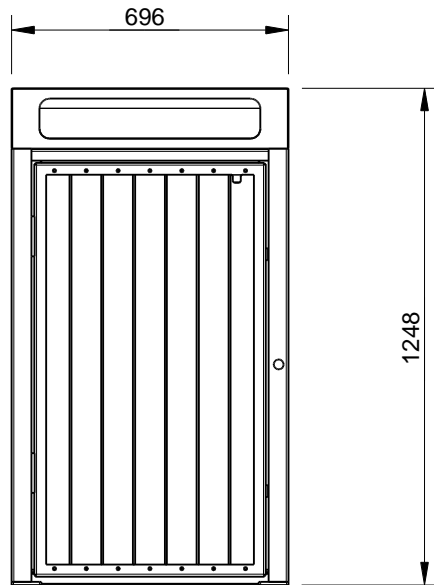


SPECIFICATION:

MATERIAL:
 Mild steel unless otherwise stated
 Slats: Hardwood timber

DIMENSIONS:
 All in mm unless otherwise stated

FINISH:
 Steel - Powder Coat
 Timber - Oil Based



Quality
 ISO 9001
 SAI GLOBAL



CONFIDENTIAL

REVISION #	DESCRIPTION	BY	DATE	DRAWN	DRAWN DATE	CHECKED	CHECKED DATE	SCALE	A4
								N/A	
1	ORIGINAL DRAWING	DN	24.3.11	R.CRIGTON	15.4.14				
2	FULL PRODUCT REVIEW	RBC	15.4.14						
3									
4									
5									
								MS AVENUE LITTER RECEPTACLE 240L - SIDE ENTRY - SPEC.	