



Quality
ISO 9001
SAI GLOBAL

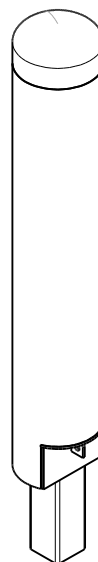
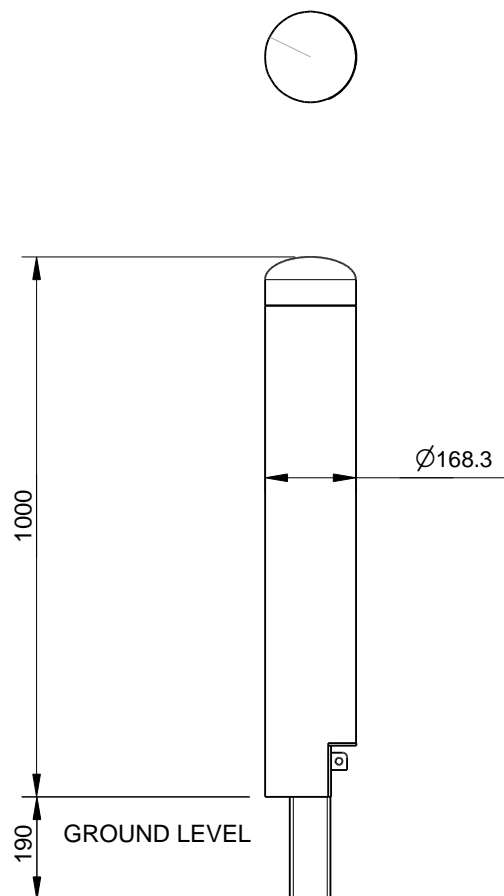
SPECIFICATION:

Material:
Mild steel

Dimensions:
All in mm unless otherwise stated

Finish:
Steel - Galvanised mild steel & optional powder coat

Ground Fixings:
Removable.
Attaches to in ground component (FFSB008036)



CONFIDENTIAL

REVISION #	DESCRIPTION	BY	DATE	DRAWN	DRAWN DATE	CHECKED	CHECKED DATE	SCALE		A4
								N/A		
1	ORIGINAL DRAWING	RBC	19.12.13	R.CRIGTON	19.12.13					
2										
3										
4										
5										
						DOMETOP BOLLARD - REMOVABLE SPEC.				
						FFSB008015		REV. 1	SHEET 1 OF 3	

