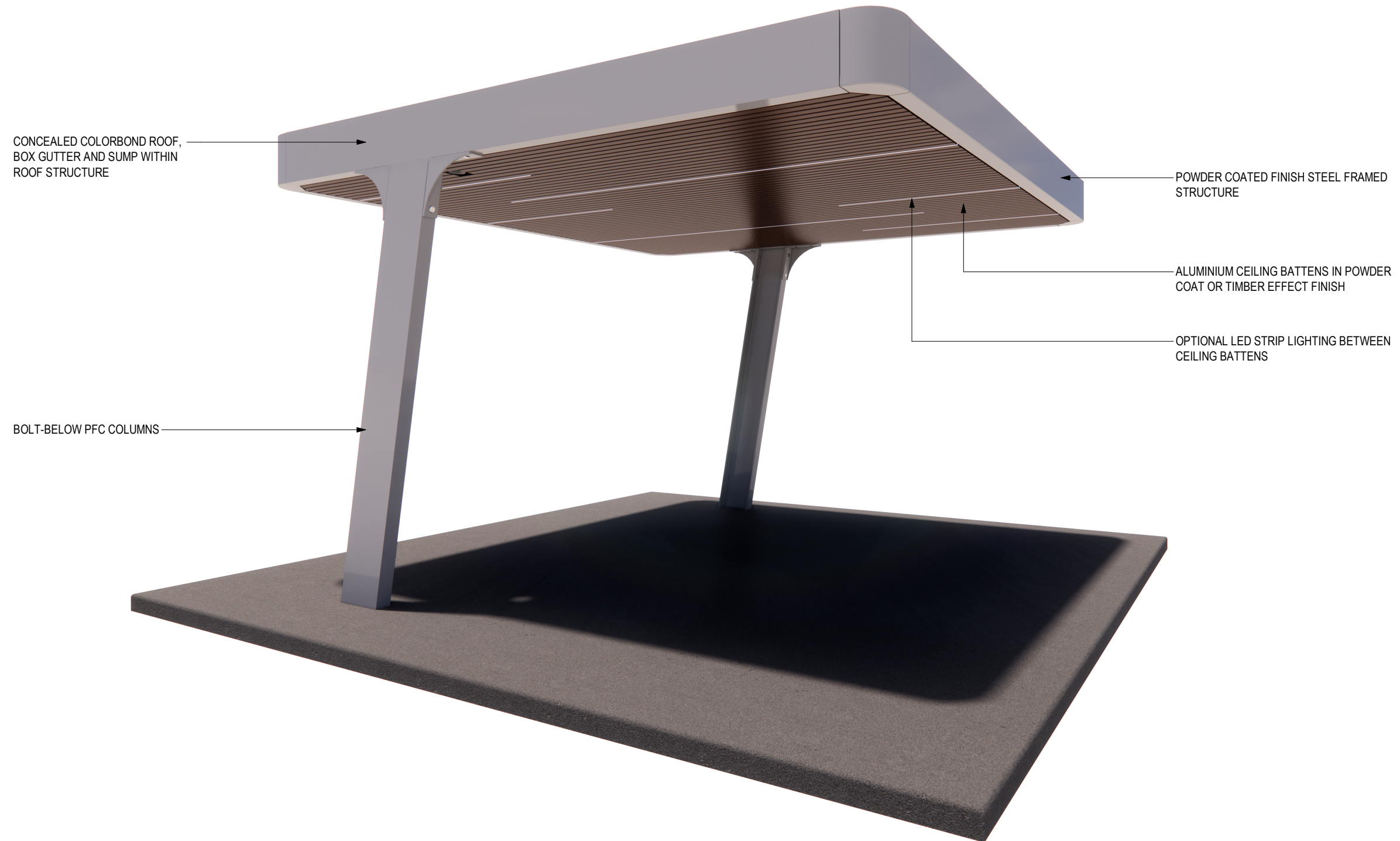


PRELIMINARY DRAWING ONLY

DISCLAIMER: THIS DRAWING REPRESENTS A DESIGN INTENT AND CONCEPT ONLY. THIS DOCUMENT AND ALL ASSOCIATED DOCUMENTS ARE PREPARED FOR A SPECIFIC SITE AND EVENT, AND INCORPORATE CALCULATIONS AND MEASUREMENTS AVAILABLE FROM THE CLIENT AT THE TIME OF DRAFTING. THESE DOCUMENTS ARE FOR DEMONSTRATION PURPOSES ONLY AND ARE NOT NECESSARILY DRAWN TO SCALE OR ACCURATELY SETOUT. WHILE CARE HAS BEEN TAKEN TO ENSURE THIS DRAWING REFLECTS THE QUOTE, THE QUOTE REMAINS THE PRIMARY REFERENCE FOR WHAT IS INCLUDED.



FURPHY FOUNDRY PTY LTD
21 DRUMMOND RD, SHEPPARTON VIC 3630
FFSB005611 - NUVO SHELTER - 4x4



FURPHY FOUNDRY PTY LTD

PH: (03) 5831 2777

FAX: (03) 5831 2681

A.B.N. 24 007 195 913

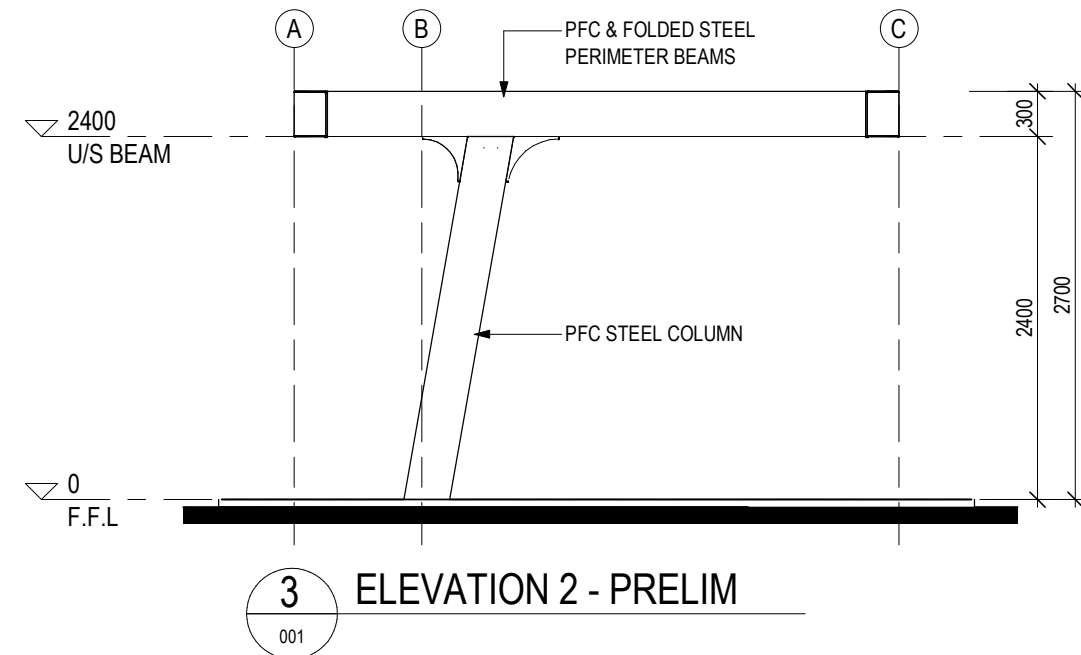
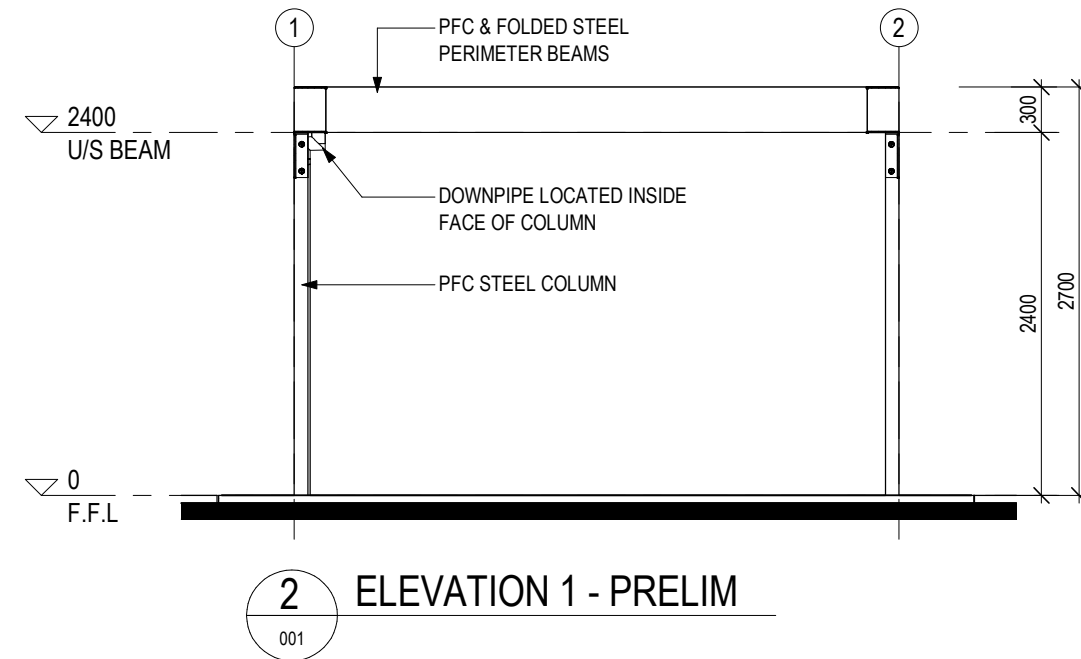
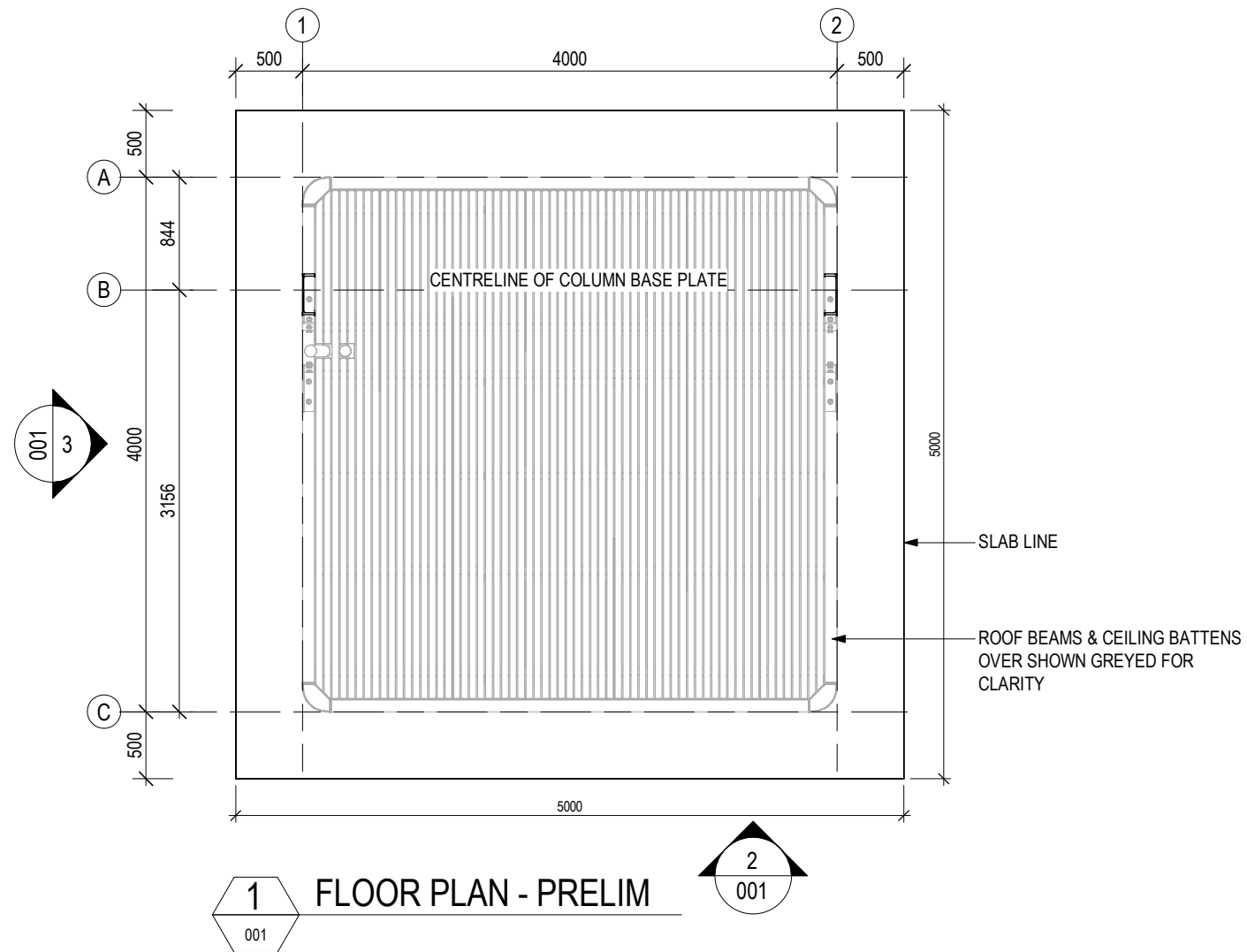
www.furphyfoundry.com.au 21 Drummond Rd,

sales@furphyfoundry.com.au Shepparton VIC 3630

THIS DOCUMENT IS AND SHALL REMAIN THE PROPERTY OF FURPHY FOUNDRY. UNAUTHORISED USE OF THIS DOCUMENT IN ANY FORM IS PROHIBITED.

PRELIMINARY DRAWING ONLY

DISCLAIMER: THIS DRAWING REPRESENTS A DESIGN INTENT AND CONCEPT ONLY. THIS DOCUMENT AND ALL ASSOCIATED DOCUMENTS ARE PREPARED FOR A SPECIFIC SITE AND EVENT, AND INCORPORATE CALCULATIONS AND MEASUREMENTS AVAILABLE FROM THE CLIENT AT THE TIME OF DRAFTING. THESE DOCUMENTS ARE FOR DEMONSTRATION PURPOSES ONLY AND ARE NOT NECESSARILY DRAWN TO SCALE OR ACCURATELY SETOUT. WHILE CARE HAS BEEN TAKEN TO ENSURE THIS DRAWING REFLECTS THE QUOTE, THE QUOTE REMAINS THE PRIMARY REFERENCE FOR WHAT IS INCLUDED.



REVISION	DATE	DRAWN
0	11.12.23	JAR

FURPHY FOUNDRY SALES PTY LTD
 PH: (03) 5831 2777
 FAX: (03) 5831 2681
 A.B.N. 24 007 195 913
 www.furphyfoundry.com.au
 21 Drummond Rd, Shepparton VIC 3630
 sales@furphyfoundry.com.au



CLIENT NAME
FURPHY FOUNDRY PTY LTD

PROJECT
 21 DRUMMOND RD, SHEPPARTON VIC 3630
 FFSB005611 - NUVO SHELTER - 4x4

DRAWING TITLE
PRELIMINARY - PLAN & ELEVATIONS

PROJECT No.	PAGE
FFSB005611	A3
DATE	DRAWN
06.11.23	JAR
DRAWING No.	SCALE
FFSB005611	1 : 50
SHEET No.	REV.
001	0

THIS DOCUMENT IS AND SHALL REMAIN THE PROPERTY OF FURPHY FOUNDRY. UNAUTHORISED USE OF THIS DOCUMENT IN ANY FORM IS PROHIBITED.