

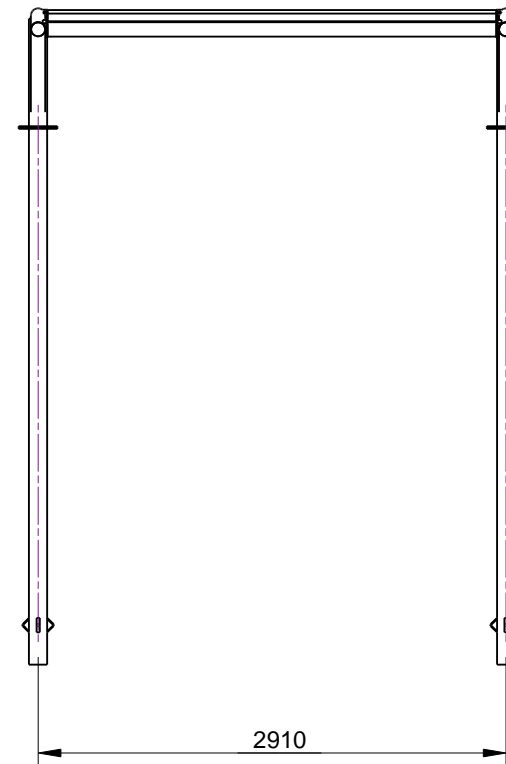
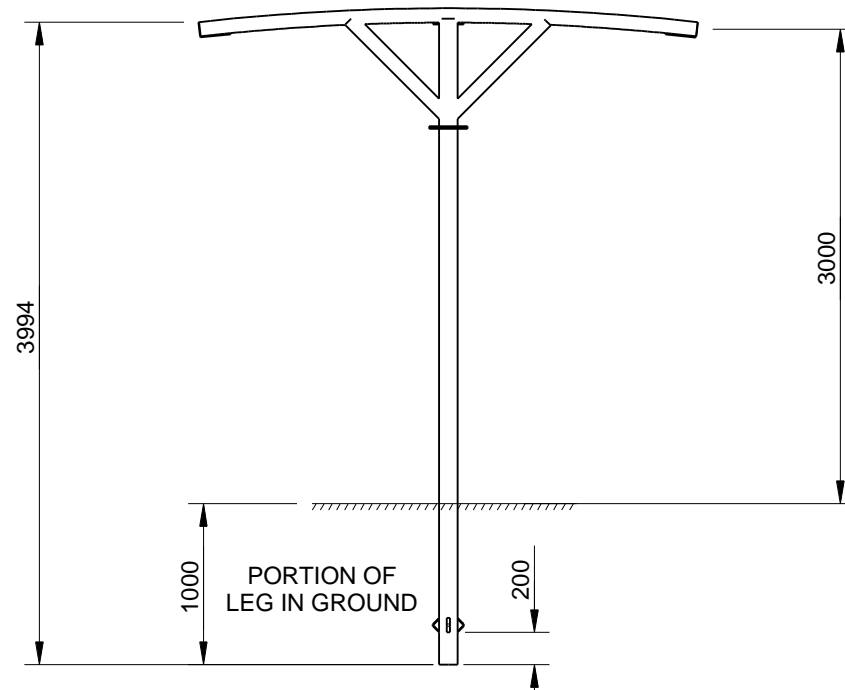
SPECIFICATION:

MATERIAL:
 Main construction - Mild Steel

DIMENSIONS:
 mm unless otherwise stated

FINISH:
 Galvanised with optional powdercoat

GROUND ATTACHEMENT:
 In ground



© copyright
 CONFIDENTIAL

REVISION #	DESCRIPTION	BY	DATE	DRAWN	DRAWN DATE	CHECKED	CHECKED DATE	SCALE
1	ORIGINAL DRAWING	RBC	3.5.14	R.CRUGHTON	3.5.14			N/A
2								
3								
4								
5								

RAZOR SHELTER SPEC.

FFSB005009

REV. 1 SHEET 1 OF 3