

SPECIFICATION:

MATERIAL:

Main construction - Mild Steel
Sheeting - Colourbond Corrugated BMT 0.42mm 762mm

DIMENSIONS:

mm unless otherwise stated

FINISH:

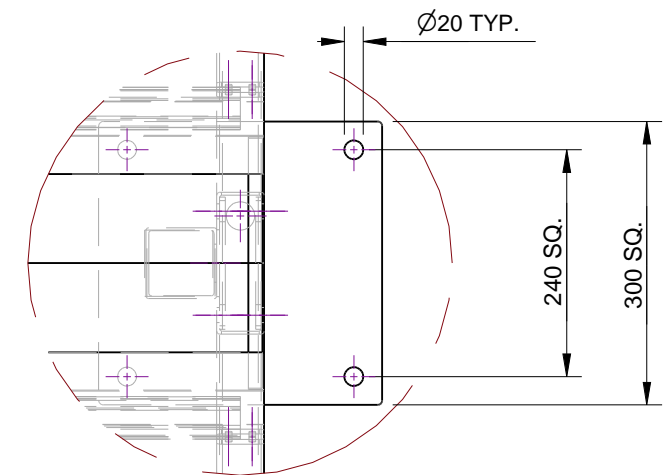
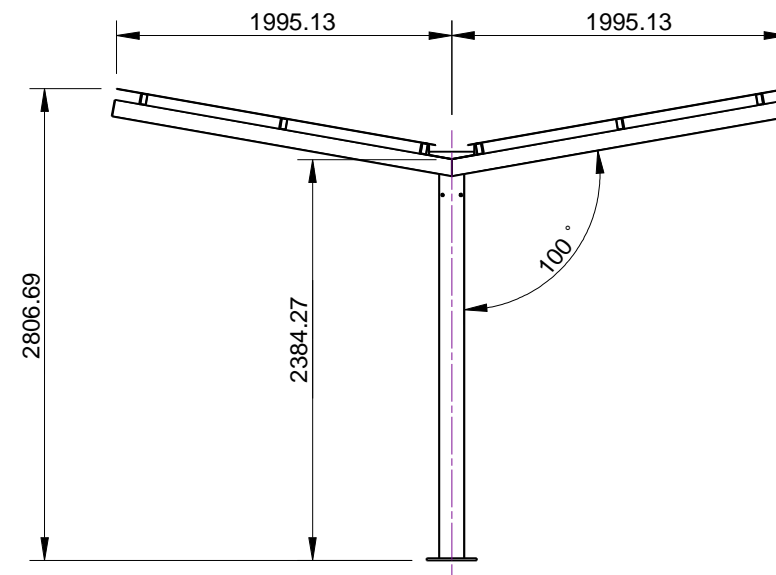
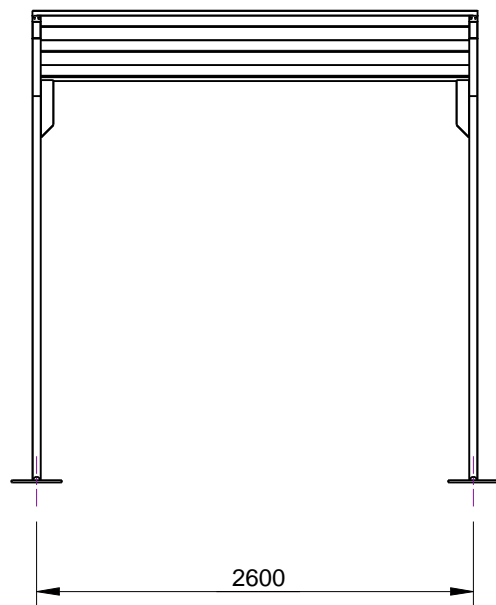
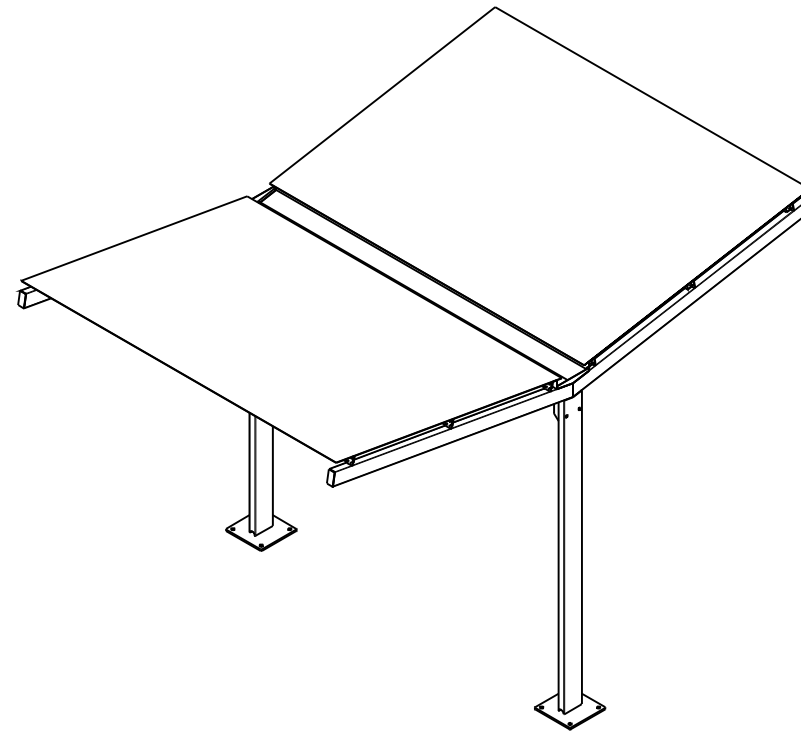
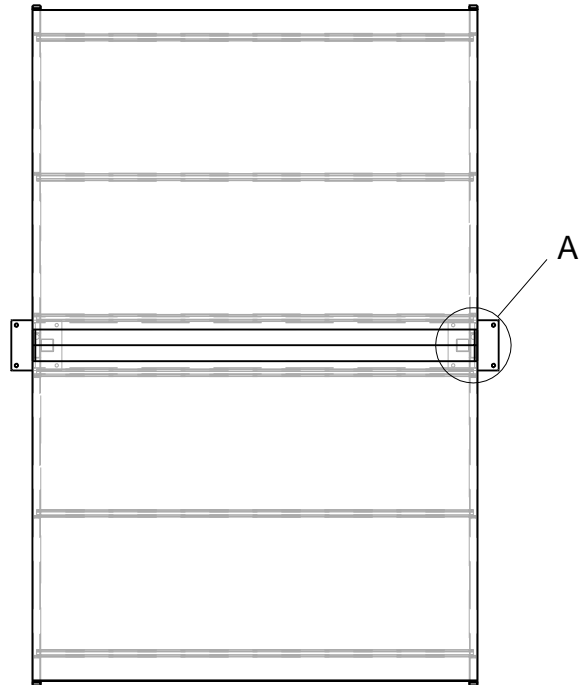
Steel - Galvanised - Colourbond (optional colours)

GROUND ATTACHEMENT:

Bolt down

STRUCTURAL ENGINEERING:

Job No. 100511 - GC Nixon & Associates



Detail A
BOLT DOWN DETAIL

REVISION #	DESCRIPTION	BY	DATE	DRAWN	DRAWN DATE	CHECKED	CHECKED DATE	SCALE
1	ORIGINAL DRAWING	SJ	7.7.10	R.CRUGHTON	13.2.14			N/A
2	FULL PRODUCT REVIEW	RBC	13.2.14					
3								
4								
5								

DUAL CANTILEVER SHELTER 2600mm CENTRES SPEC.

FFSB005006

REV. 2

SHEET 1 OF 3