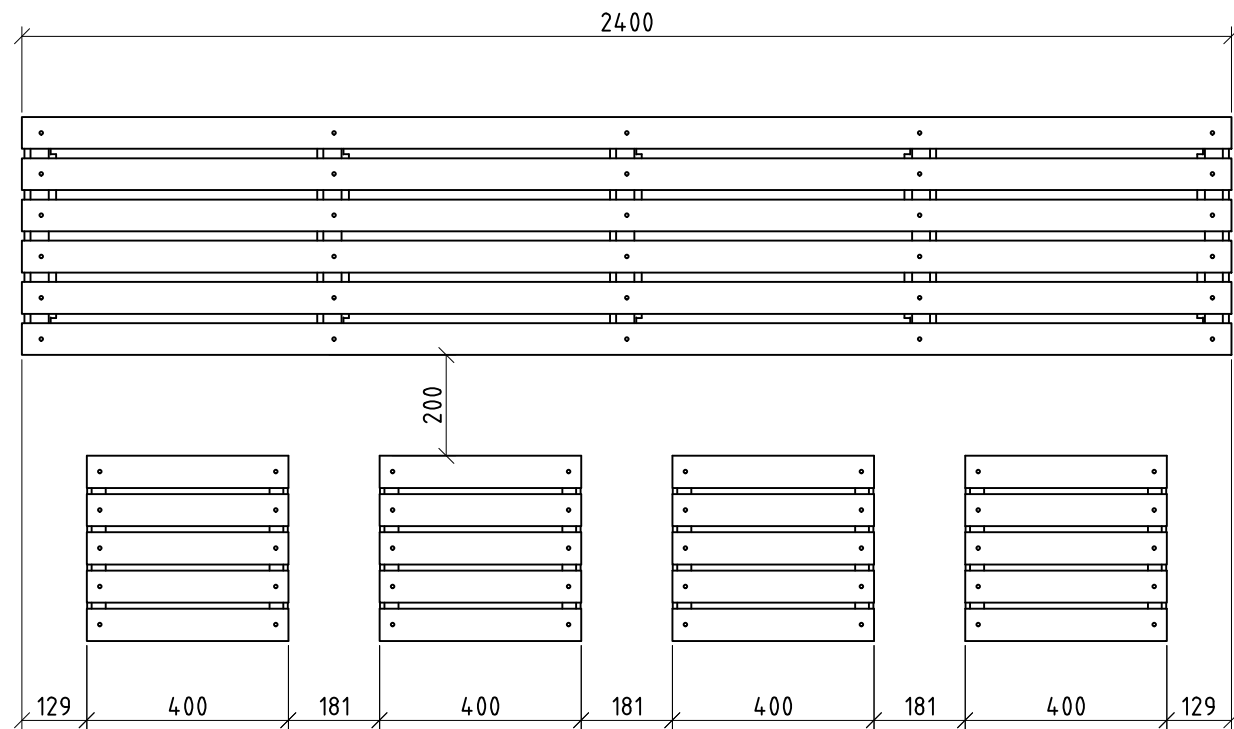


ALL DIMENSIONS IN MILLIMETRES - DO NOT SCALE



SPECIFICATIONS:

MATERIALS:
 Frame - Mild Steel
 Slats - Refer below

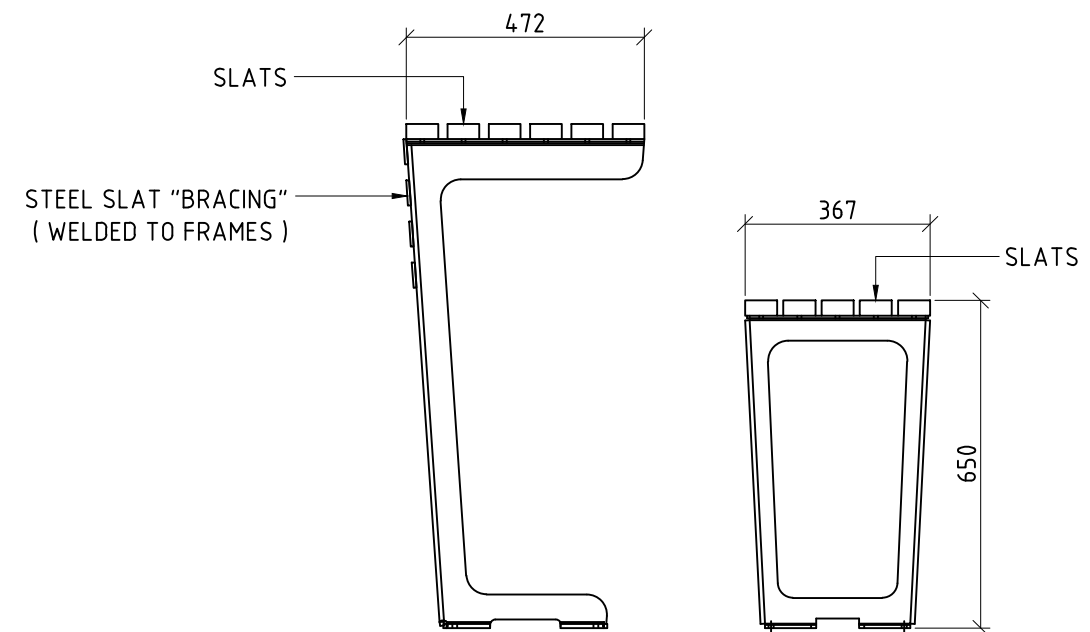
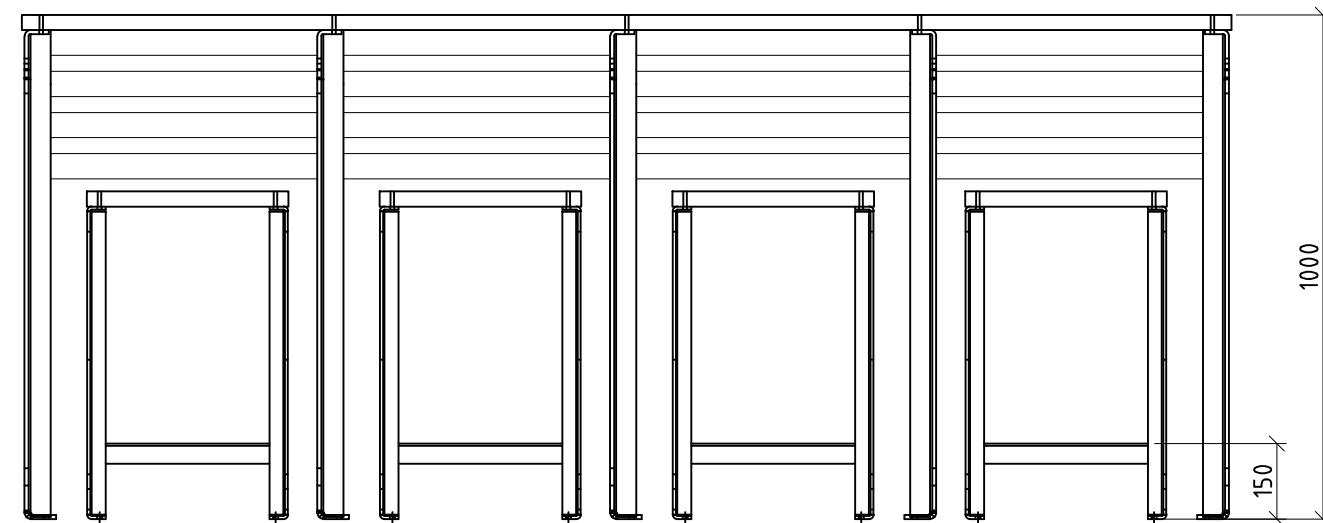
DIMENSIONS:
 All in mm unless otherwise stated



FINISH OPTIONS:

- FRAME:**
- Hot Dip Galvanised
 - Powder Coated
 - 2-pac Finish

- SLATS:**
- Hardwood Timber with Cutek Stain
 - Aluminium:
 - Clear Anodised
 - Powder Coated
 - Timber Effect
 - WPC (Wood Plastic Composite)

GROUND FIXING:
 Bolt down attachment



REVISION	DATE:	DRAWN BY.			CLIENT NAME	PROJECT No.	PAGE
6	-	-	 © FURPHY FOUNDRY PTY LTD THIS DOCUMENT IS AND SHALL REMAIN THE PROPERTY OF FURPHY FOUNDRY. UNAUTHORISED USE OF THIS DOCUMENT IN ANY FORM IS PROHIBITED.	 FURPHY FOUNDRY EST. 1864 Furphy Foundry Pty Ltd PH: (03) 5831 2777 A.B.N. 24 007 195 913 FAX: (03) 5831 2681 21 Drummond Rd, www.furphyfoundry.com.au Shepparton VIC 3630 sales@furphyfoundry.com.au	FURPHY FOUNDRY	FFSB004055	A3
5	-	-			PROJECT	DATE:	DRAWN
4	-	-			-	03-09-21	JAR
3	-	-			ESPLANADE - BAR SETTING - 2.4m	DRAWING No.	SCALE
2	-	-			DRAWING TITLE	FFSB004055	NOTED
1	-	-			PRELIMINARY	SHEET No.	REV.
				001	-		