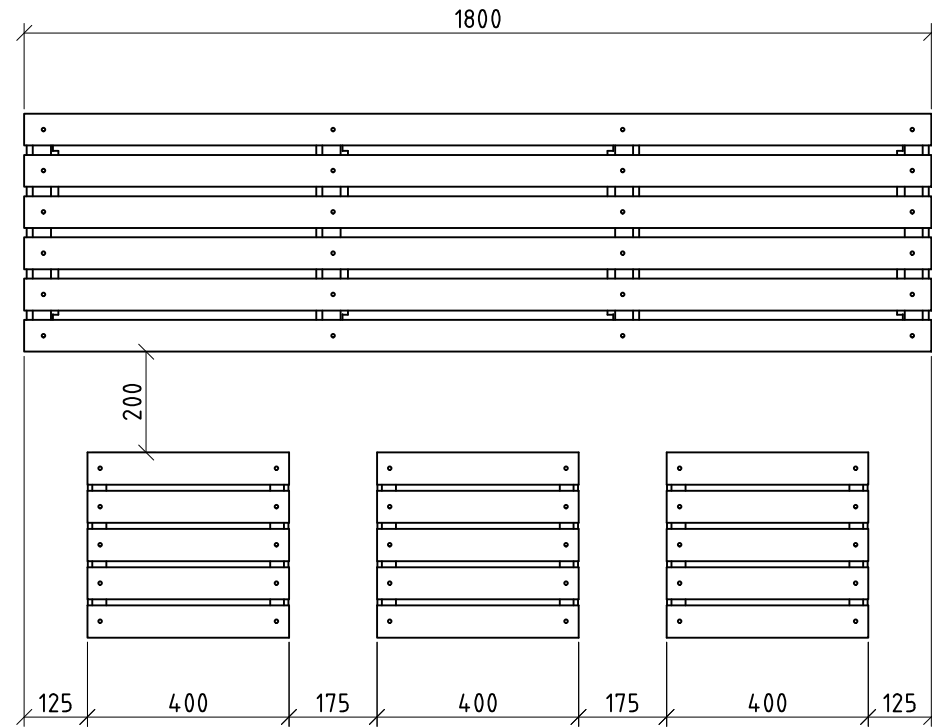


ALL DIMENSIONS IN MILLIMETRES - DO NOT SCALE



SPECIFICATIONS:

MATERIALS:
 Frame - Mild Steel
 Slats - Refer below

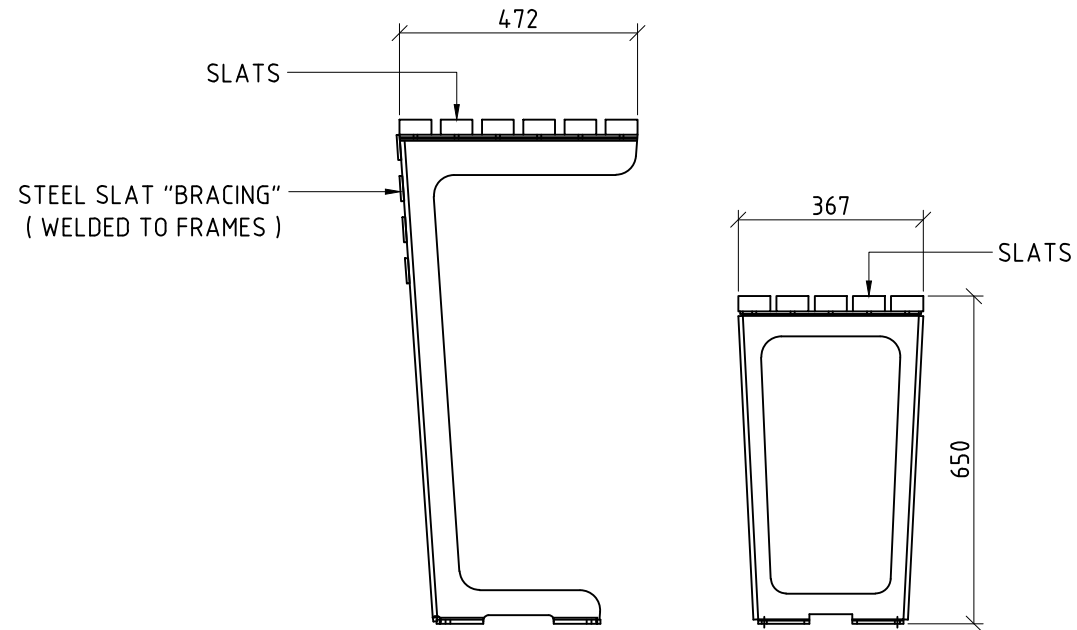
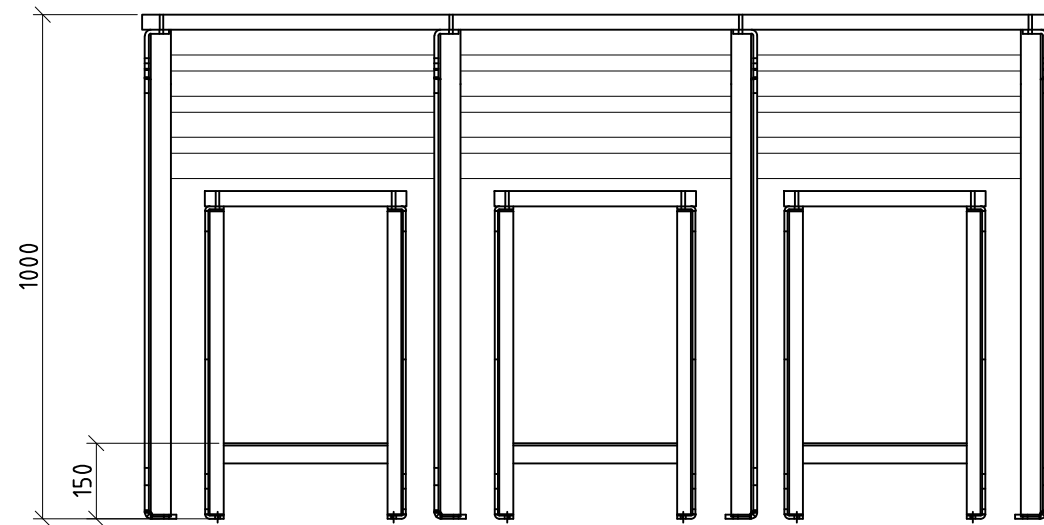
DIMENSIONS:
 All in mm unless otherwise stated

FINISH OPTIONS:

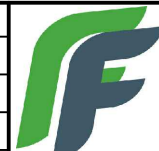
- FRAME:**
- Hot Dip Galvanised
 - Powder Coated
 - 2-pac Finish

- SLATS:**
- Hardwood Timber with Cutek Stain
 - Aluminium:
 - Clear Anodised
 - Powder Coated
 - Timber Effect
 - WPC (Wood Plastic Composite)

GROUND FIXING:
 Bolt down attachment



REVISION	DATE:	DRAWN BY.
6	-	-
5	-	-
4	-	-
3	-	-
2	-	-
1	-	-



© FURPHY FOUNDRY PTY LTD
 THIS DOCUMENT IS AND SHALL REMAIN THE PROPERTY OF FURPHY FOUNDRY. UNAUTHORISED USE OF THIS DOCUMENT IN ANY FORM IS PROHIBITED.



Furphy Foundry Pty Ltd PH: (03) 5831 2777
 A.B.N. 24 007 195 913 FAX: (03) 5831 2681
 21 Drummond Rd, www.furphyfoundry.com.au
 Shepparton VIC 3630 sales@furphyfoundry.com.au

CLIENT NAME FURPHY FOUNDRY	PROJECT No. FFSB004050	PAGE A3
PROJECT -	DATE: 03-09-21	DRAWN JAR
DRAWING TITLE ESPLANADE - BAR SETTING - 1.8m	DRAWING No. FFSB004050	SCALE NOTED
PRELIMINARY	SHEET No. 001	REV. -

PROJECT No. FFSB004050	PAGE A3
DATE: 03-09-21	DRAWN JAR
DRAWING No. FFSB004050	SCALE NOTED
SHEET No. 001	REV. -