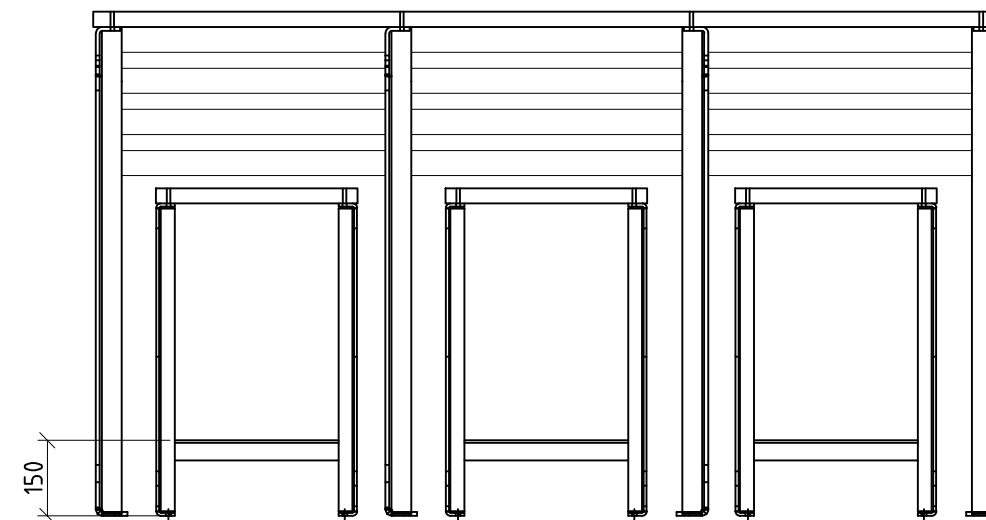
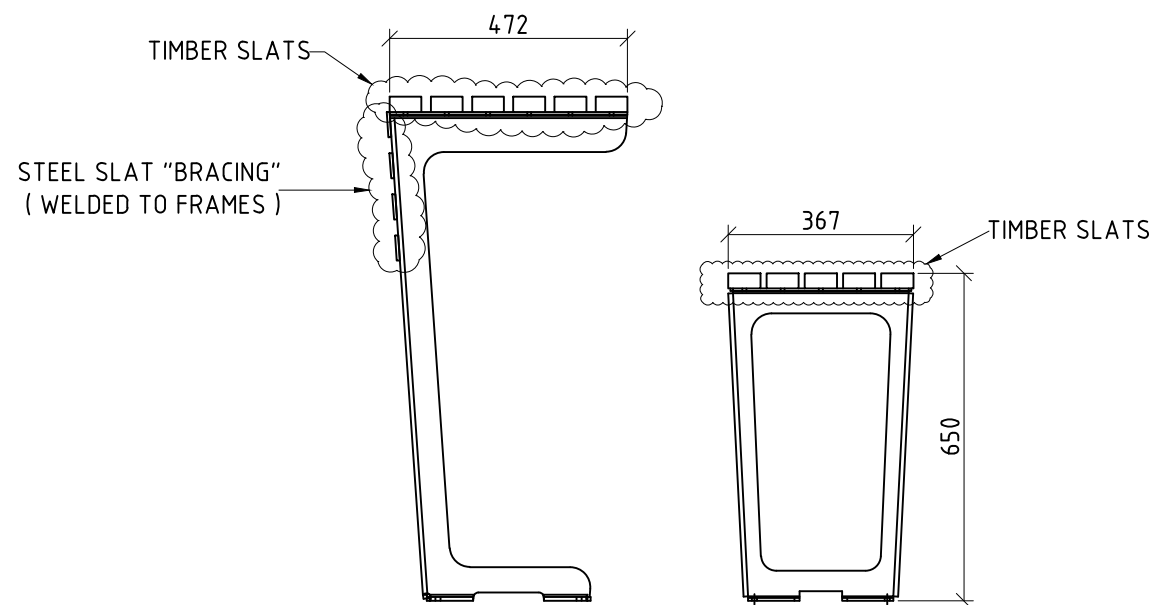
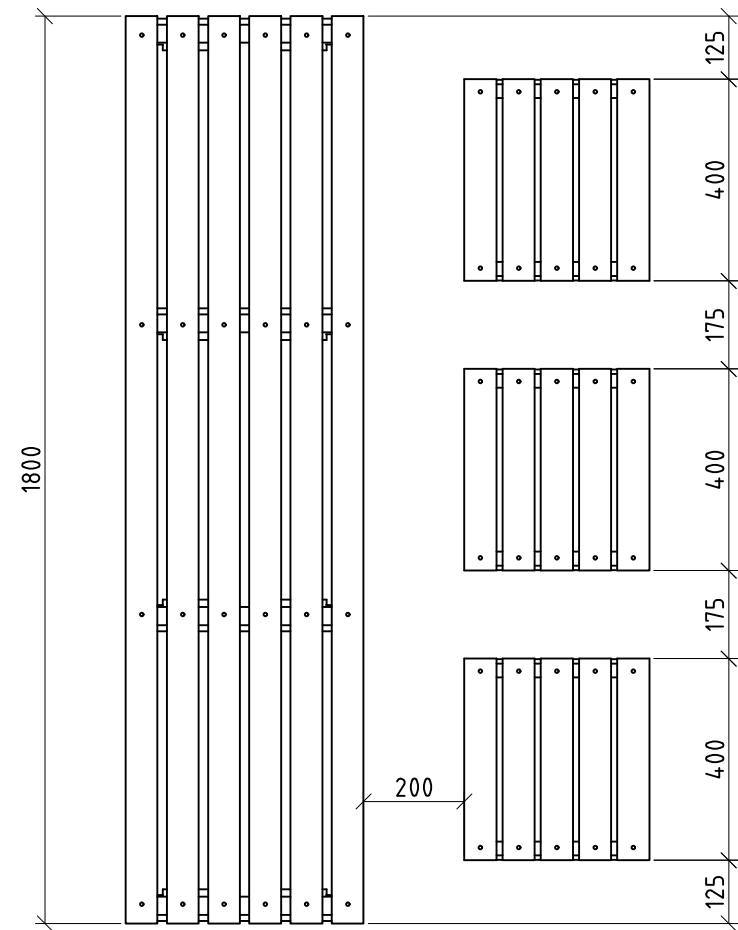



ALL DIMENSIONS IN MILLIMETRES - DO NOT SCALE



REVISION	DATE:	DRAWN BY.	© LANDMARK PRODUCTS LIMITED THIS DOCUMENT IS AND SHALL REMAIN THE PROPERTY OF LANDMARK PRODUCTS LIMITED. UNAUTHORISED USE OF THIS DOCUMENT IN ANY FORM IS PROHIBITED.		CLIENT NAME	PROJECT No.	PAGE		
6 -	-	-	 <p>Landmark Products Limited. PH: 1300 768 230 A.B.N. 99 112 000 843 FAX: 1300 768 260 55-57 Kabi Circuit, Deception Bay P.O. Box 603, Deception Bay www.landmarkpro.com.au Queensland 4508 landmark@landmarkpro.com.au</p>		LANDMARK / FURPHY	PROJECT 3	A3		
5 -	-	-			PROJECT	DATE: 06/03/18	DRAWN MAF		
4 -	-	-			-	DRAWING No. PROJECT 3	SCALE NOTED		
3 -	-	-			CHECKED BY:	DATE:	DRAWING TITLE	SHEET No.	REV.
2 -	-	-					CONCEPT	001	1
1 AMENDMENTS INCORPORATED FROM TODD	19/06/18	MAF							