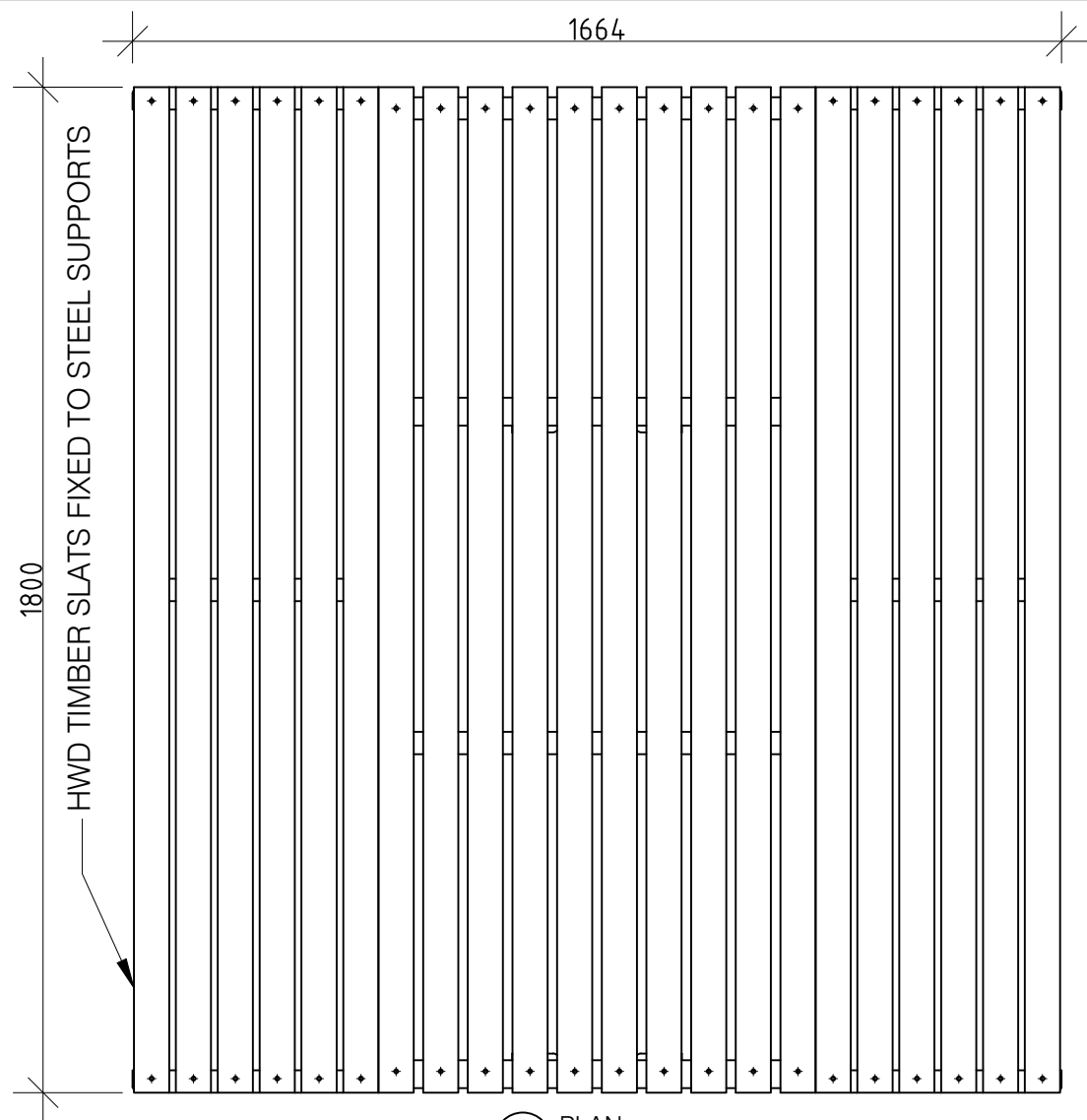


ALL DIMENSIONS IN MILLIMETRES - DO NOT SCALE

# CIVIC RANGE

FFSB004018 1800mm PICNIC SETTING - BOLT DOWN (WCA ONE END)

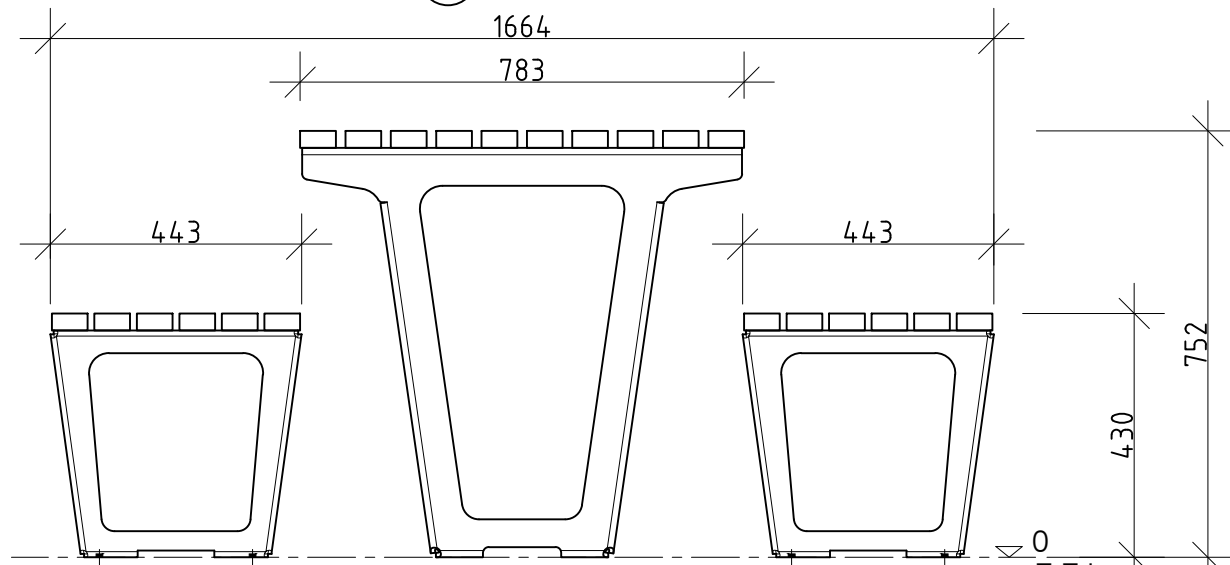
**Slats available in:**  
**Hardwood Timber (FFSB004018)**  
**Aluminium (FFSB004018A)**



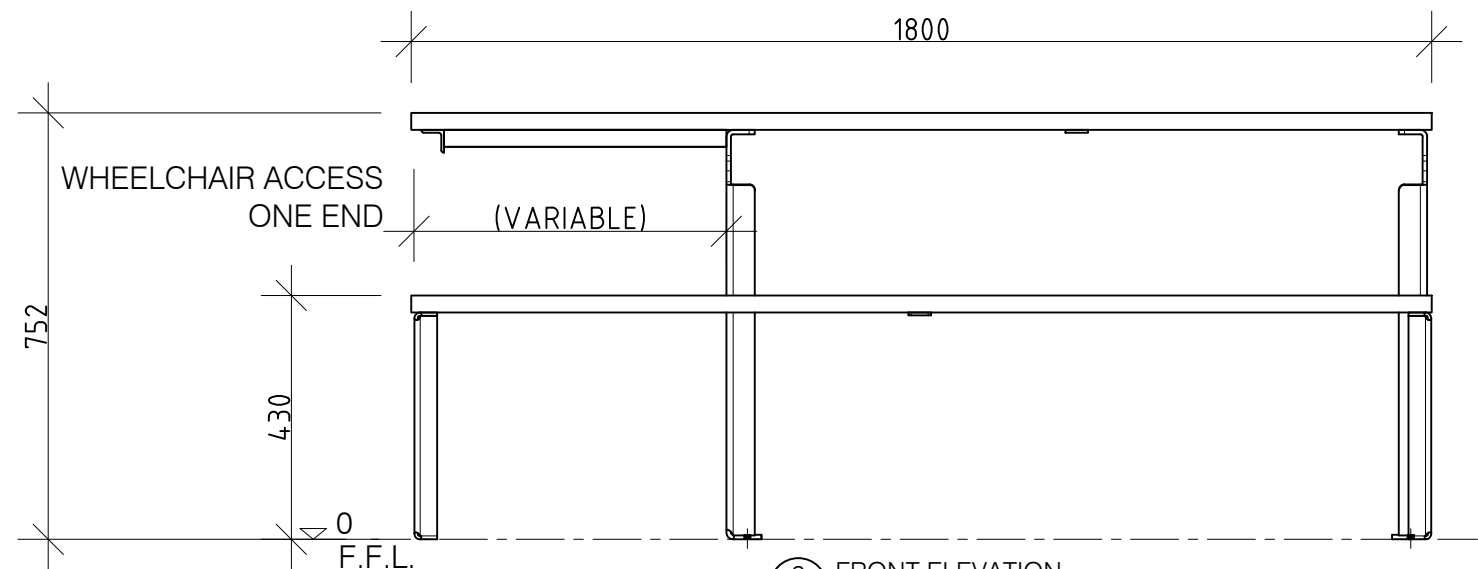
1 PLAN  
1:15 @ A3



4 PERSPECTIVE  
N.T.S.

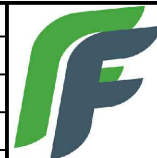


2 END ELEVATION  
1:15 @ A3



3 FRONT ELEVATION  
1:15 @ A3

REVISION	DATE:	DRAWN BY:
6		
5		
4		
3		
2		
1		



© FURPHY FOUNDRY PTY LTD  
 THIS DOCUMENT IS AND SHALL REMAIN THE PROPERTY OF  
 FURPHY FOUNDRY. UNAUTHORISED USE OF THIS DOCUMENT  
 IN ANY FORM IS PROHIBITED.



Furphy Foundry Pty Ltd PH: (03) 5831 2777  
 A.B.N. 24 007 195 913 FAX: (03) 5831 2681  
 21 Drummond Rd, www.furphyfoundry.com.au  
 Shepparton VIC 3630 sales@furphyfoundry.com.au

CLIENT NAME <b>FURPHY FOUNDRY</b>	PROJECT No. <b>FFSB004018</b>	PAGE <b>A3</b>
PROJECT <b>CIVIC PICNIC SETTING - BOLT DOWN (WCA ONE END)</b>	DATE: <b>08-05-19</b>	DRAWN <b>PS</b>
DRAWING TITLE <b>PRELIMINARY</b>	DRAWING No. <b>045</b>	SCALE <b>NOTED</b>
	SHEET No. <b>001</b>	REV. <b>1</b>