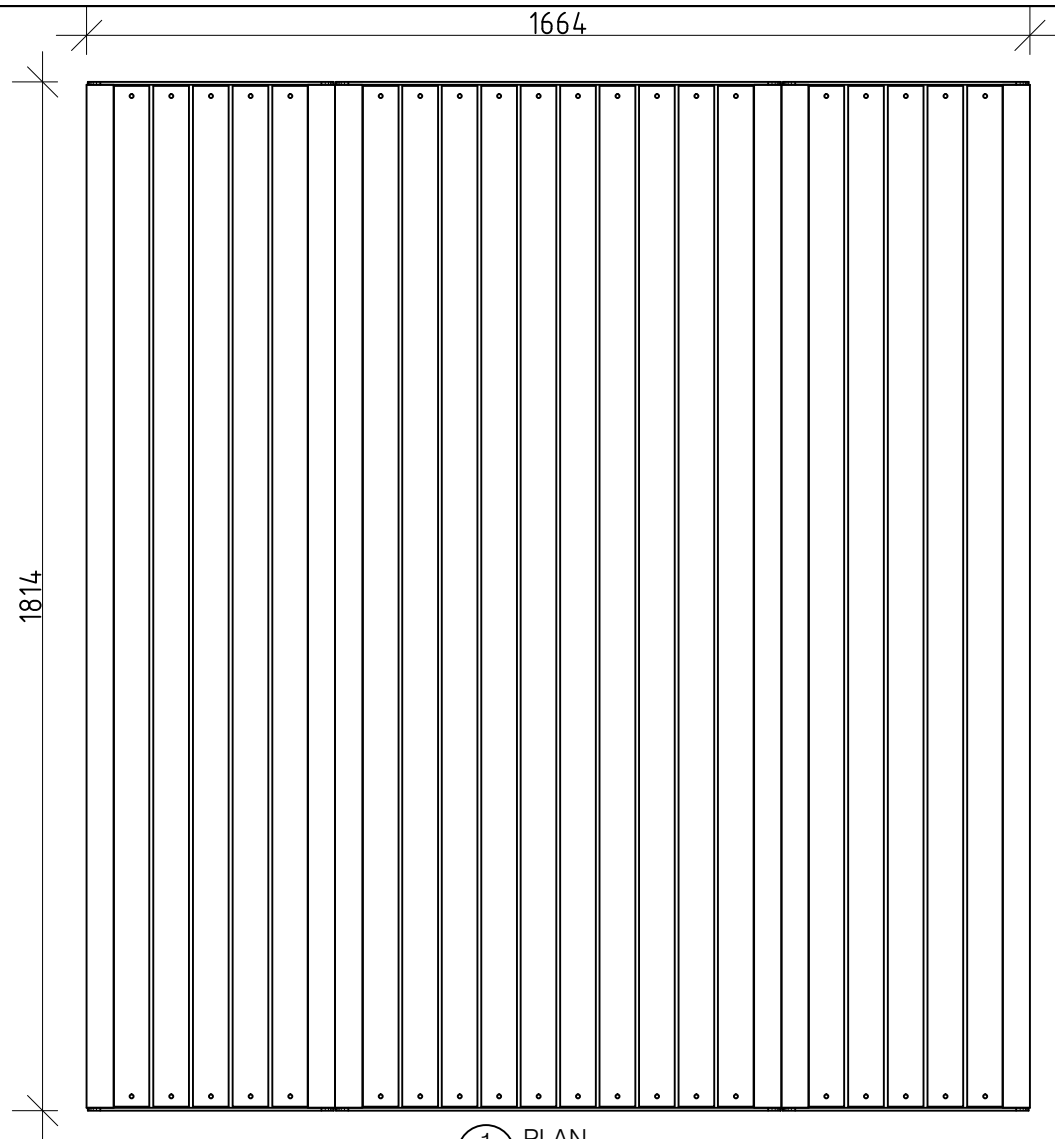


ALL DIMENSIONS IN MILLIMETRES - DO NOT SCALE

# WOODGROVE RANGE

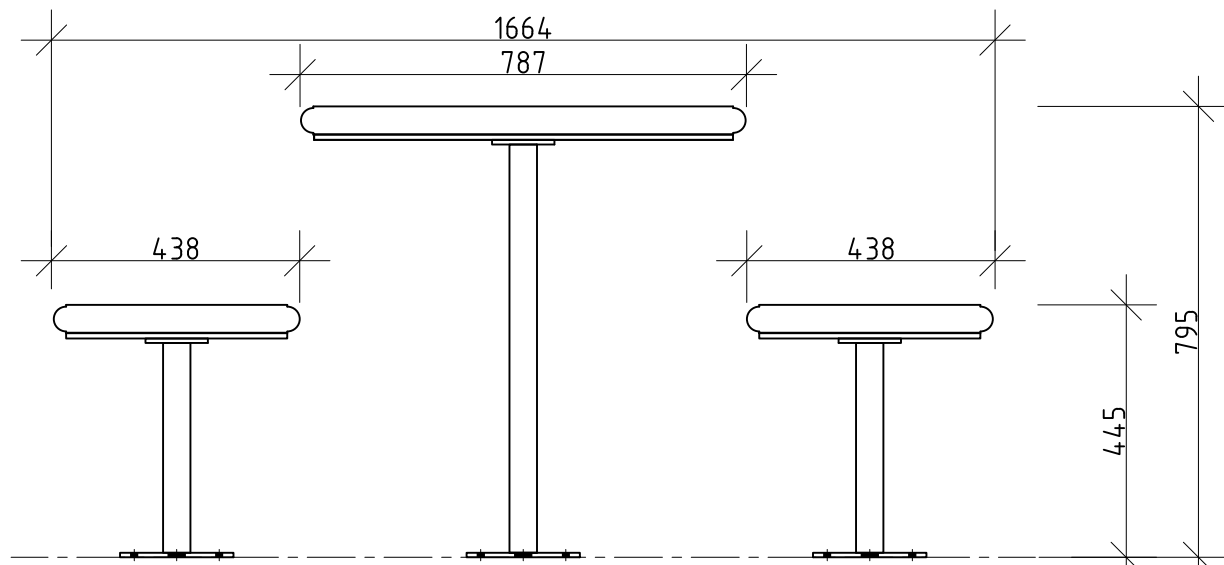
FFSB004004 1800mm PICNIC SETTING - BOLT DOWN



Slats available in:  
**Hardwood Timber (FFSB004004)**  
**Aluminium (FFSB004004A)**

1 PLAN  
1:15 @ A3

4 PERSPECTIVE  
N.T.S.



2 END ELEVATION  
1:15 @ A3

3 FRONT ELEVATION  
1:15 @ A3

REVISION	DATE:	DRAWN BY:
6		
5		
4		
3		
2		
1		



© FURPHY FOUNDRY PTY LTD  
 THIS DOCUMENT IS AND SHALL REMAIN THE PROPERTY OF  
 FURPHY FOUNDRY. UNAUTHORISED USE OF THIS DOCUMENT  
 IN ANY FORM IS PROHIBITED.



Furphy Foundry Pty Ltd PH: (03) 5831 2777  
 A.B.N. 24 007 195 913 FAX: (03) 5831 2681  
 21 Drummond Rd, www.furphyfoundry.com.au  
 Shepparton VIC 3630 sales@furphyfoundry.com.au

CLIENT NAME <b>FURPHY FOUNDRY</b>	PROJECT No. <b>FFSB004004</b>	PAGE <b>A3</b>
PROJECT <b>WOODGROVE PICNIC SETTING - BOLT DOWN</b>	DATE: <b>21-03-19</b>	DRAWN <b>PS</b>
DRAWING TITLE <b>PRELIMINARY</b>	DRAWING No. <b>013</b>	SCALE <b>NOTED</b>
	SHEET No. <b>001</b>	REV. <b>1</b>