


ALL DIMENSIONS IN MILLIMETRES - DO NOT SCALE



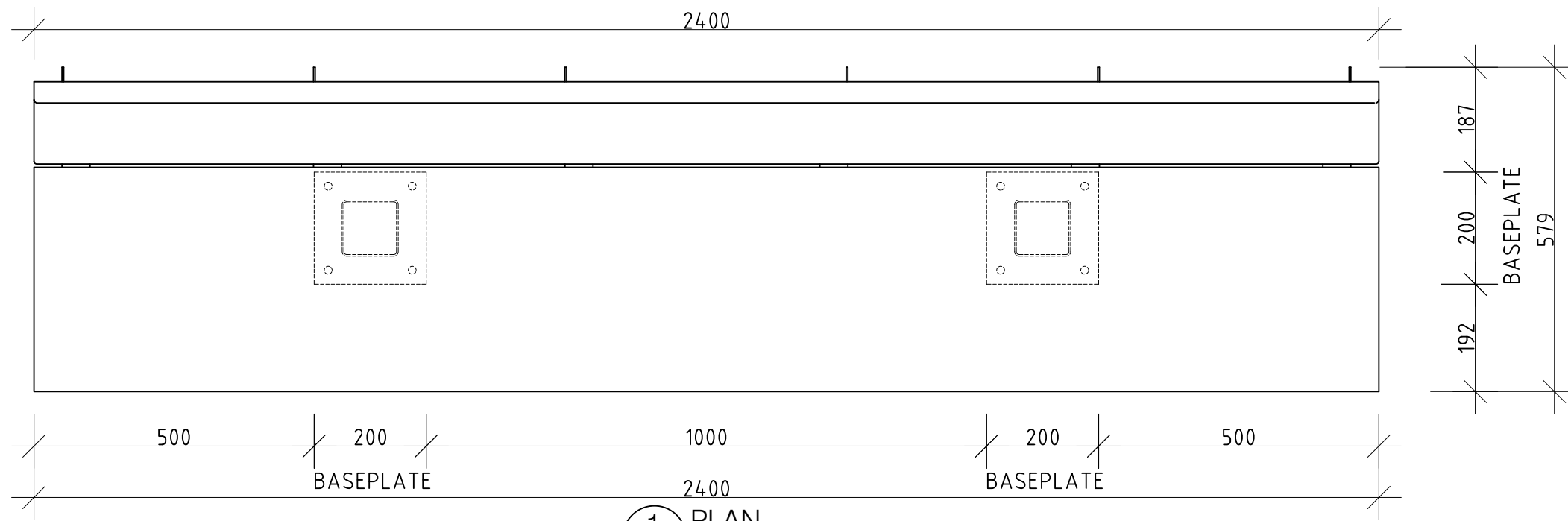
1 PRELIMINARY RENDER CONCEPT

| REVISION | DATE: | DRAWN BY. |   |  | CLIENT NAME         | PROJECT No. | PAGE  |
|----------|-------|-----------|---|--|---------------------|-------------|-------|
| 6        |       |           | <br><b>FURPHY</b><br>FOUNDRY EST. 1864<br>Furphy Foundry Pty Ltd    PH: (03) 5831 2777<br>A.B.N. 24 007 195 913    FAX: (03) 5831 2681<br>21 Drummond Rd,    www.furphyfoundry.com.au<br>Shepparton VIC 3630    sales@furphyfoundry.com.au |  | LMK PRECINCT SEAT   | HDPE/STD.   | A3    |
| 5        |       |           |   |  | PROJECT             | DATE:       | DRAWN |
| 4        |       |           |   |  | HDPE STANDARD BENCH | 08-04-21    | PS    |
| 3        |       |           |   |  | COLOUR---           | DRAWING No. | SCALE |
| 2        |       |           |   |  | DRAWING TITLE       | ---         | NOTED |
| 1        |       |           |   |  | 3D RENDER IMAGE     | SHEET No.   | REV.  |
|          |       |           |   |  | 000                 | 1           |       |

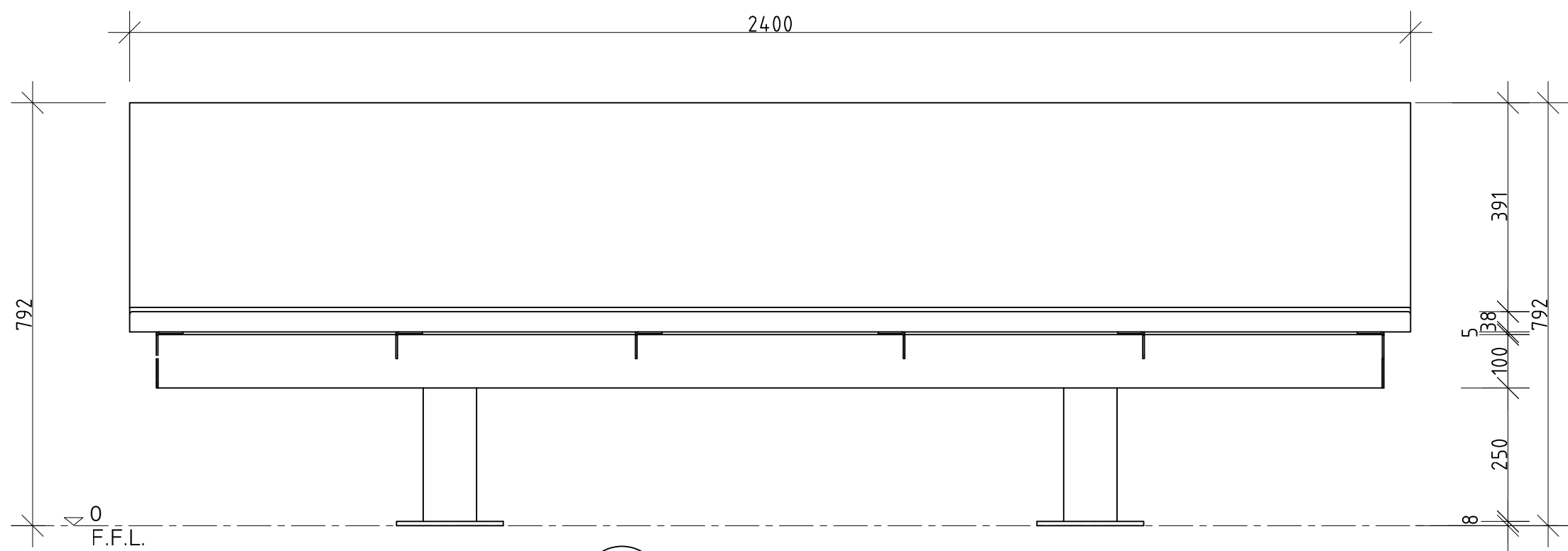
# PRECINCT SEAT CONCEPT

ALL DIMENSIONS IN MILLIMETRES - DO NOT SCALE

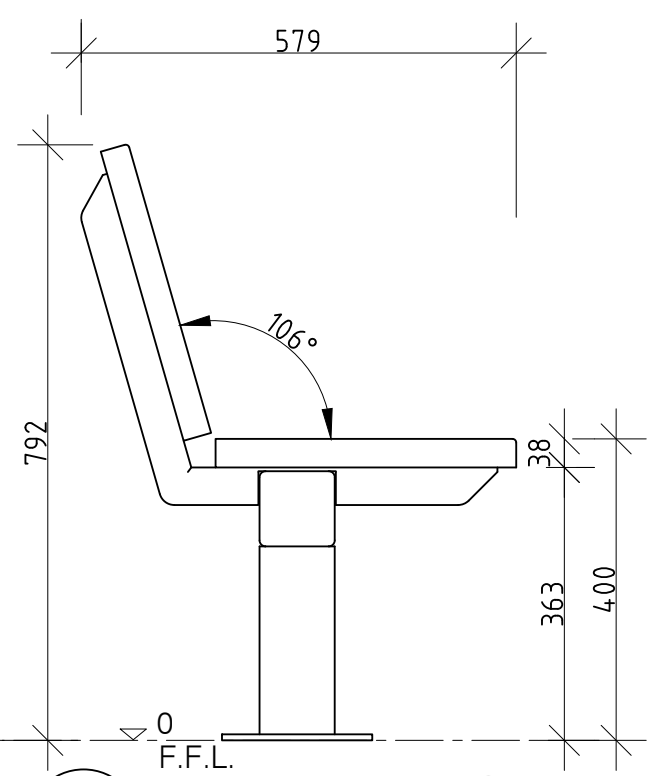
FFSB002501 2400mm SEAT - BOLT DOWN - NO ARMRESTS



1 PLAN  
1:10 @ A3




3 FRONT ELEVATION  
1:10 @ A3



2 END ELEVATION  
1:10 @ A3

| REVISION | DATE: | DRAWN BY. |
|----------|-------|-----------|
| 6        |       |           |
| 5        |       |           |
| 4        |       |           |
| 3        |       |           |
| 2        |       |           |
| 1        |       |           |



**FURPHY**  
FOUNDRY EST. 1864

© FURPHY FOUNDRY PTY LTD  
THIS DOCUMENT IS AND SHALL REMAIN THE PROPERTY OF FURPHY FOUNDRY. UNAUTHORISED USE OF THIS DOCUMENT IN ANY FORM IS PROHIBITED.



Furphy Foundry Pty Ltd  
A.B.N. 24 007 195 913  
21 Drummond Rd,  
Shepparton VIC 3630

PH: (03) 5831 2777  
FAX: (03) 5831 2681  
www.furphyfoundry.com.au  
sales@furphyfoundry.com.au

|   |                                 |                       |
|---|---------------------------------|-----------------------|
| CLIENT NAME<br><b>LMK PRECINCT SEAT</b> | PROJECT No.<br><b>HDPE/STD.</b> | PAGE<br><b>A3</b>     |
| PROJECT<br><b>HDPE STANDARD BENCH</b>   | DATE:<br><b>08-04-21</b>        | DRAWN<br><b>PS</b>    |
| COLOUR---                               | DRAWING No.<br><b>---</b>       | SCALE<br><b>NOTED</b> |
| DRAWING TITLE<br><b>PRELIMINARY</b>     | SHEET No.<br><b>000</b>         | REV.<br><b>1</b>      |

|                                 |                       |
|---------------------------------|-----------------------|
| PROJECT No.<br><b>HDPE/STD.</b> | PAGE<br><b>A3</b>     |
| DATE:<br><b>08-04-21</b>        | DRAWN<br><b>PS</b>    |
| DRAWING No.<br><b>---</b>       | SCALE<br><b>NOTED</b> |
| SHEET No.<br><b>000</b>         | REV.<br><b>1</b>      |