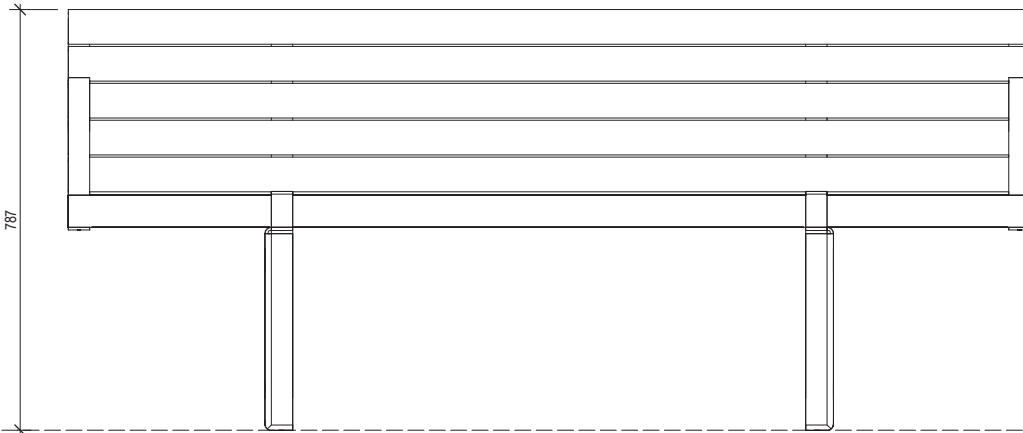
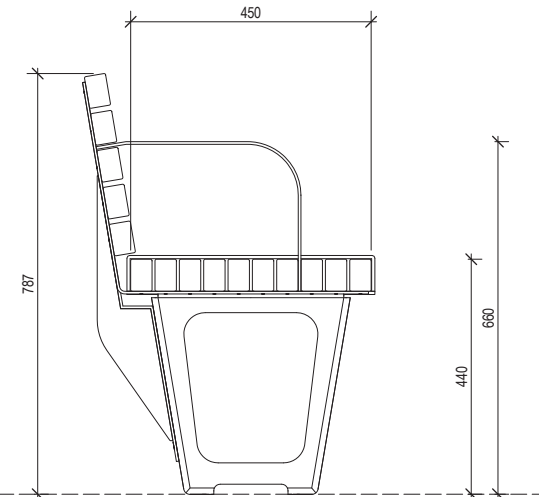


1 PLAN
A101



2 FRONT ELEVATION



3 SIDE ELEVATION

FLINDERS RANGE
FLINDERS SEAT
FFSB002400



FURPHY FOUNDRY PTY LTD
PH: (03) 5831 2777
FAX: (03) 5831 2681
A.B.N. 24 007 195 913
www.furphyfoundry.com.au 21 Drummond Rd,
sales@furphyfoundry.com.au Shepparton VIC 3630

THIS DOCUMENT IS AND SHALL REMAIN THE PROPERTY OF FURPHY FOUNDRY.
UNAUTHORISED USE OF THIS DOCUMENT IN ANY FORM IS PROHIBITED.