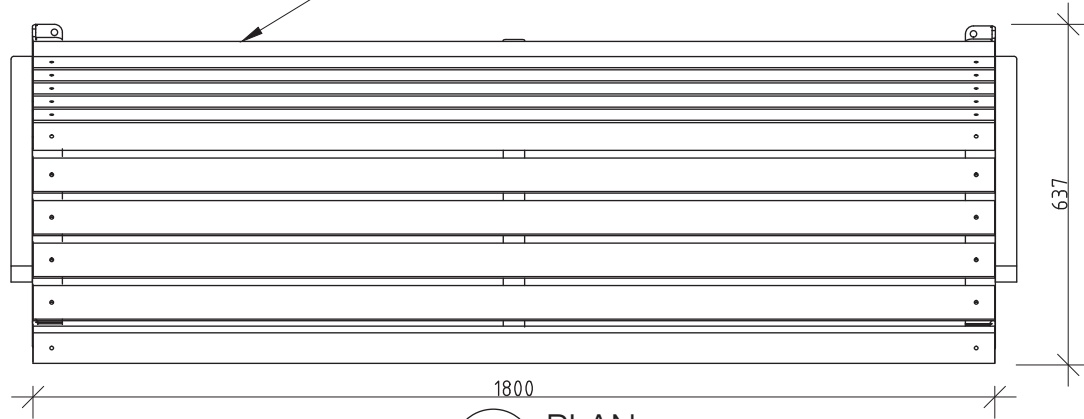


ALL DIMENSIONS IN MILLIMETRES - DO NOT SCALE

CIVIC RANGE

FFSB002017 1800mm SEAT - BOLT DOWN

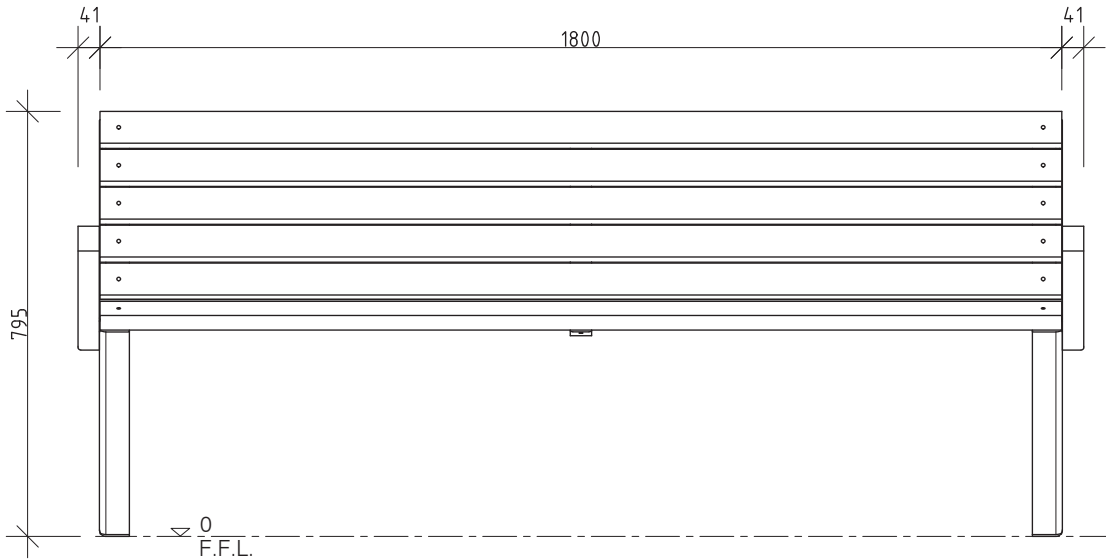
HWD TIMBER SLATS FIXED TO STEEL SUPPORTS



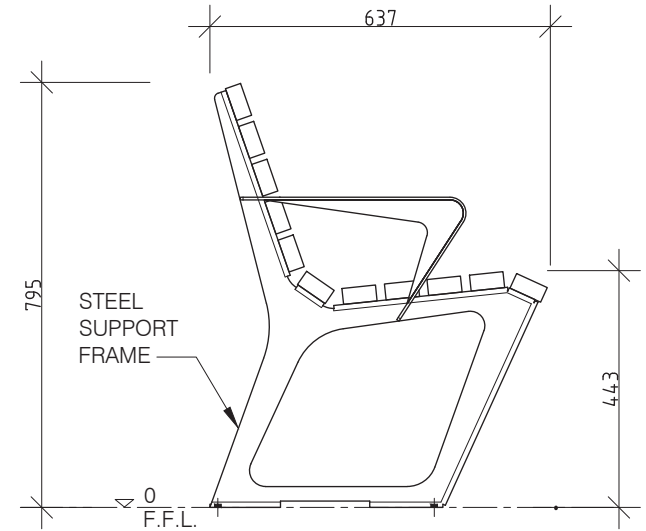
1 PLAN
1:10 @ A3



4 PERSPECTIVE
N.T.S.



2 FRONT ELEVATION
1:10 @ A3



3 END ELEVATION
1:10 @ A3

REVISION	DATE:	DRAWN BY:
6		
5		
4		
3		
2		
1		

© FURPHY FOUNDRY PTY LTD
THIS DOCUMENT IS AND SHALL REMAIN THE PROPERTY OF FURPHY FOUNDRY. UNAUTHORISED USE OF THIS DOCUMENT IN ANY FORM IS PROHIBITED.

Furphy Foundry Pty Ltd
A.B.N. 24 007 195 913
21 Drummond Rd,
Shepparton VIC 3630

PH: (03) 5831 2777
FAX: (03) 5831 2681
www.furphyfoundry.com.au
sales@furphyfoundry.com.au

CLIENT NAME FURPHY FOUNDRY	PROJECT No. FFSB002017	PAGE A4
PROJECT CIVIC SEAT - BOLT DOWN	DATE: 08-05-19	DRAWN PS
DRAWING TITLE PRELIMINARY	DRAWING No. 040	SCALE NOTED
	SHEET No. 001	REV. 1

PROJECT No. FFSB002017	PAGE A4
DATE: 08-05-19	DRAWN PS
DRAWING No. 040	SCALE NOTED
SHEET No. 001	REV. 1