



Quality
ISO 9001
SAI GLOBAL

SPECIFICATION:

MATERIALS:

Main construction - Mild Steel
Slats - Hardwood Timber or Aluminium

DIMENSIONS:

mm unless otherwise stated

FINISH:

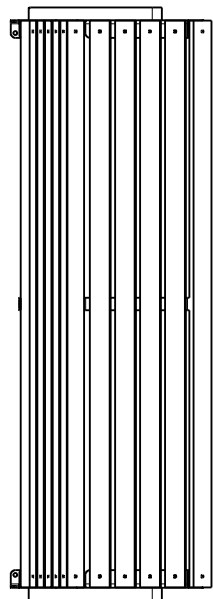
Galvanised or Optional Powder Coat
Timber - Oil Based

GROUND ATTACHMENT:

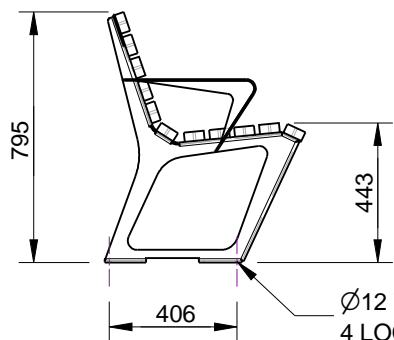
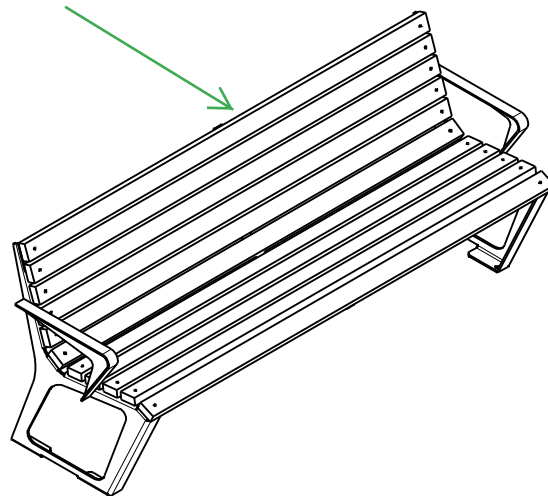
Bolt down

ARMRESTS:

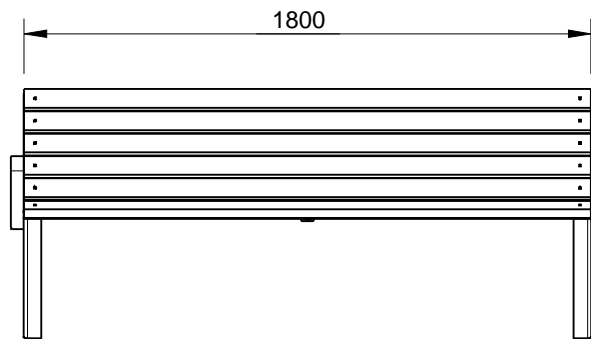
Optional



Slats available in Hardwood Timber (FFSB002017) or Aluminium (FFSB002017A)



Ø12 THRU
4 LOCATIONS



CONFIDENTIAL

REVISION	#	DESCRIPTION	BY	DATE	DRAWN	DRAWN DATE	CHECKED	CHECKED DATE	SCALE	A4
	1	ORIGINAL DRAWING	DN	8.6.10	R.CRIGTON	18.3.14			N/A	
2	FULL PRODUCT REVIEW	RBC	18.3.14							
3										
4										
5										

CIVIC SEAT SPEC.

FFSB002017 - Timber slats
FFSB002017A - Aluminium slats

REV. 2

SHEET 1 OF 2