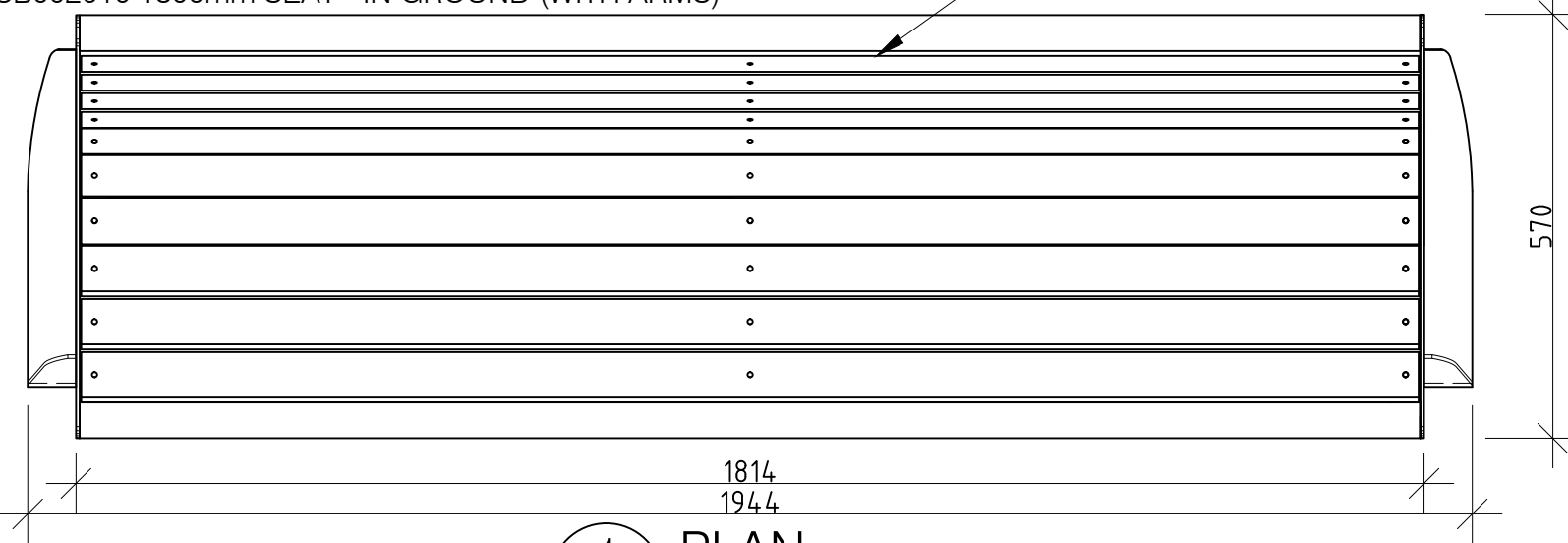


WOODGROVE SETTING SERIES

FFSB002010 1800mm SEAT - IN GROUND (WITH ARMS)

ALL DIMENSIONS IN MILLIMETRES - DO NOT SCALE

HWD TIMBER SLATS FOR BENCH FIXED TO STEEL SUPPORTS

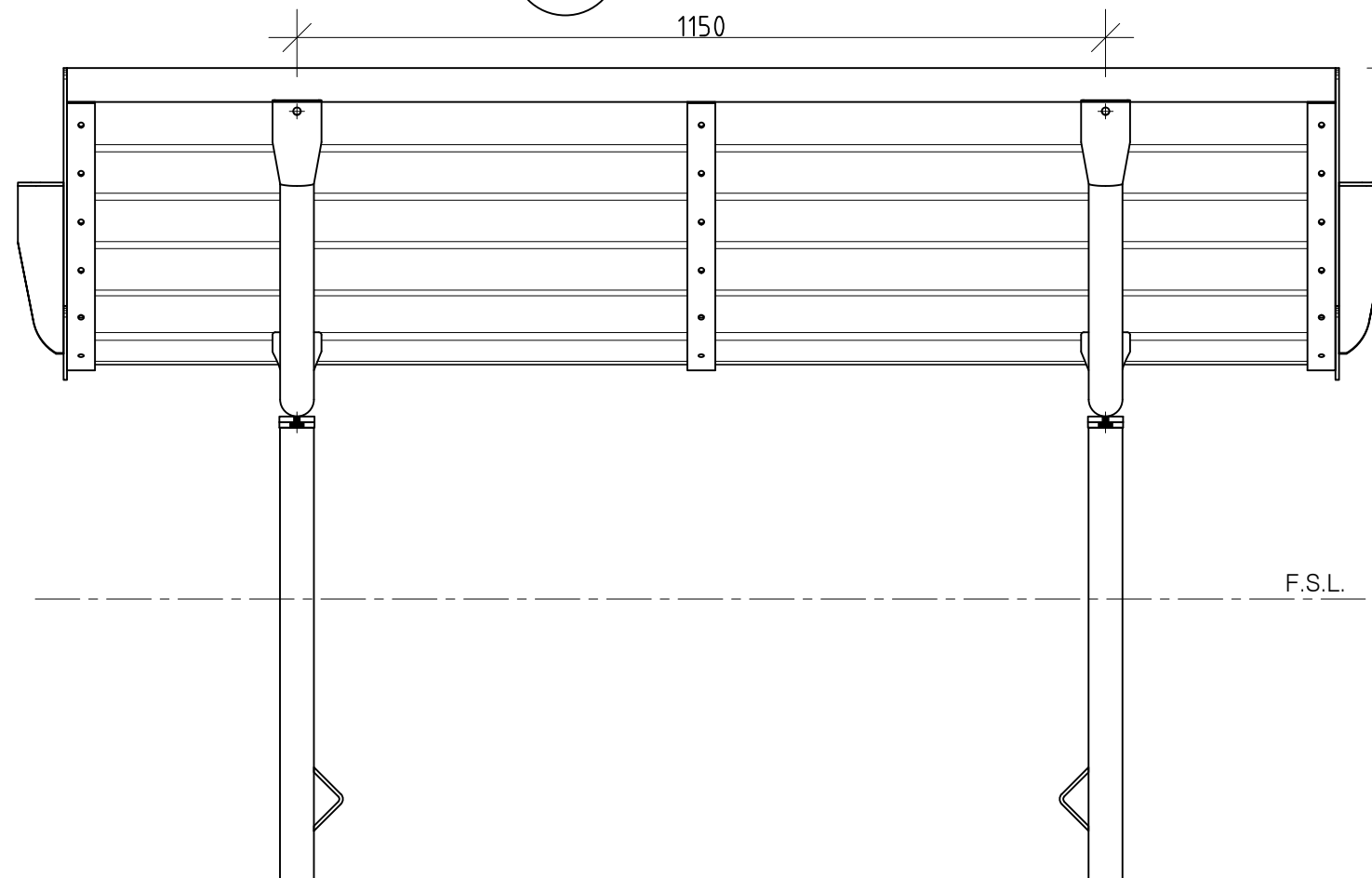


1 PLAN
1:10 @ A3
1150

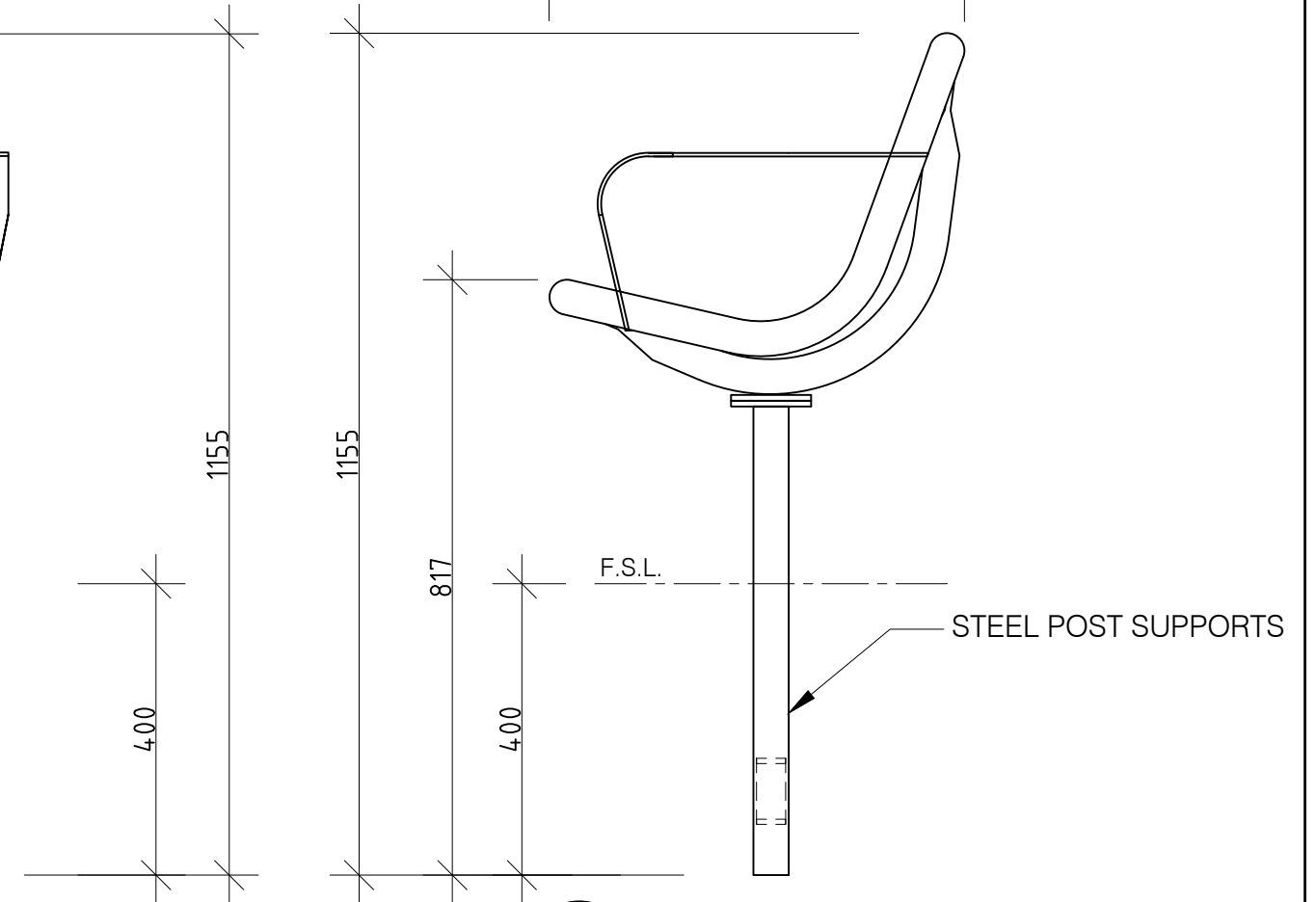


Slats available in:
Hardwood Timber (FFSB002010)
Aluminium (FFSB002010A)

4 PERSPECTIVE
N.T.S.
570




2 REAR ELEVATION
1:10 @ A3



3 END ELEVATION
1:10 @ A3

REVISION	DATE:	DRAWN BY:
6		
5		
4		
3		
2		
1		



FURPHY FOUNDRY PTY LTD
THIS DOCUMENT IS AND SHALL REMAIN THE PROPERTY OF FURPHY FOUNDRY. UNAUTHORISED USE OF THIS DOCUMENT IN ANY FORM IS PROHIBITED.



Furphy Foundry Pty Ltd
A.B.N. 24 007 195 913
21 Drummond Rd,
Shepparton VIC 3630

PH: (03) 5831 2777
FAX: (03) 5831 2681
www.furphyfoundry.com.au
sales@furphyfoundry.com.au

CLIENT NAME FURPHY FOUNDRY	PROJECT No. FFSB002010	PAGE A3
PROJECT WOODGROVE SEAT - IN GROUND (WITH ARMS)	DATE: 05-03-19	DRAWN PS
DRAWING TITLE PRELIMINARY	DRAWING No. 006	SCALE NOTED
	SHEET No. 001	REV. 1