

# WOODGROVE SETTING SERIES

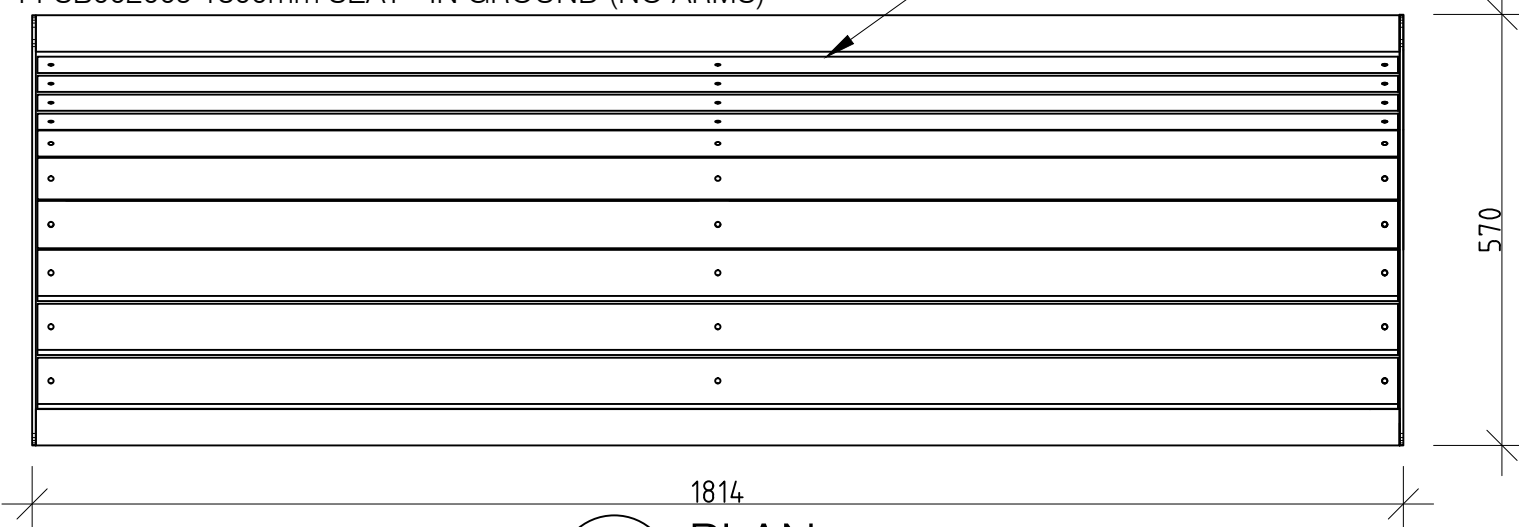
ALL DIMENSIONS IN MILLIMETRES - DO NOT SCALE

FFSB002009 1800mm SEAT - IN GROUND (NO ARMS)

HWD TIMBER SLATS FOR BENCH FIXED TO STEEL SUPPORTS

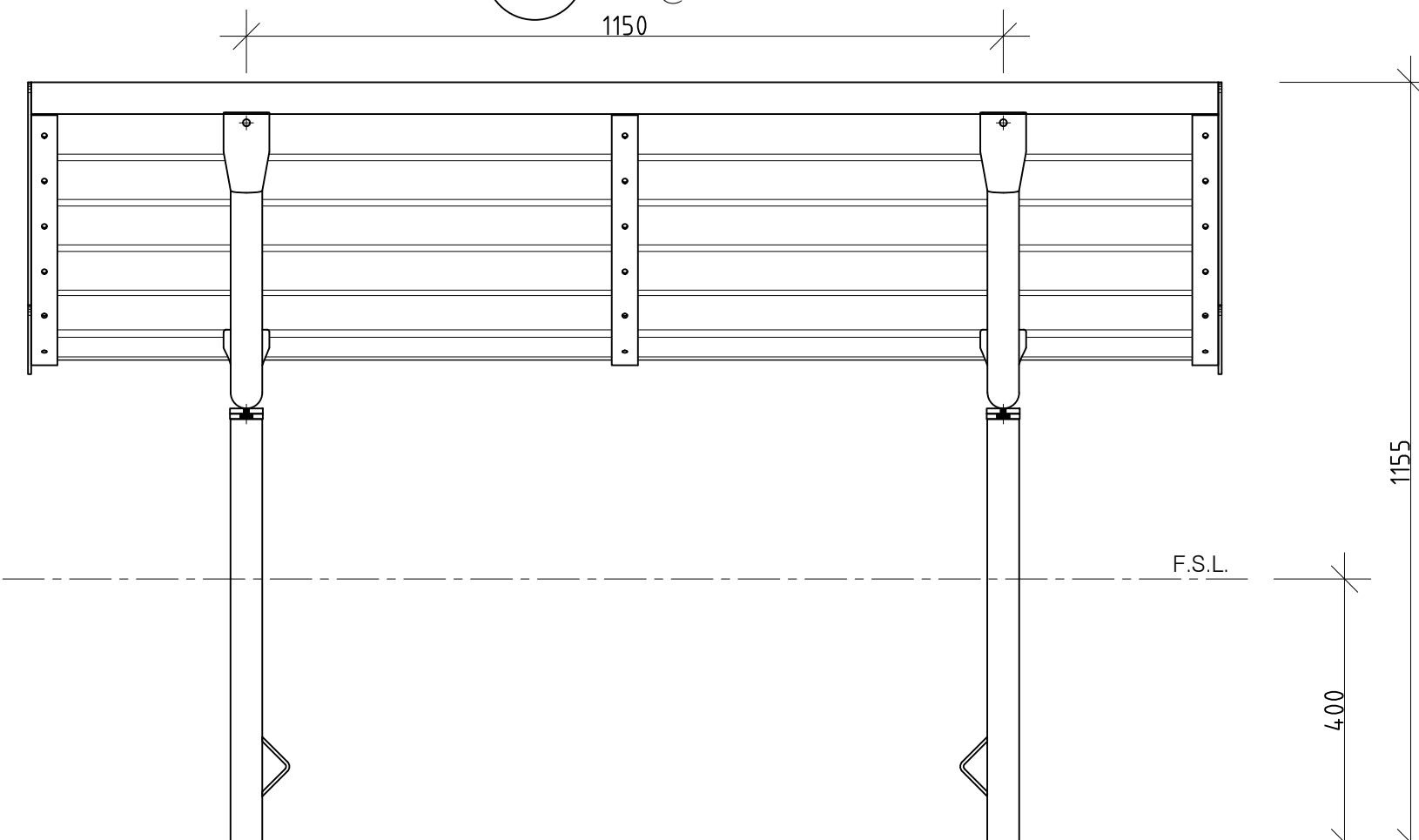


Slats available in:  
**Hardwood Timber (FFSB002009)**  
**Aluminium (FFSB002009A)**

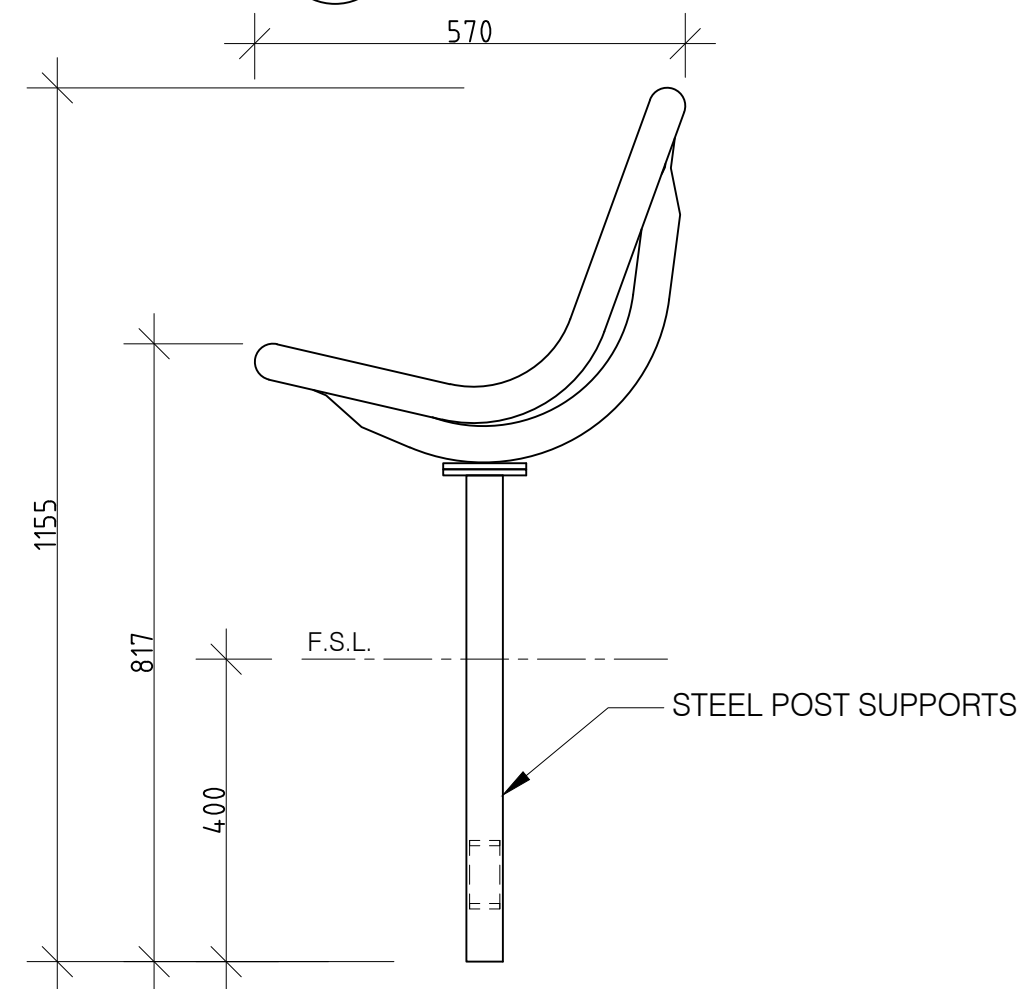


**1 PLAN**  
 1:10 @ A3  
 1814  
 570

**4 PERSPECTIVE**  
 N.T.S.

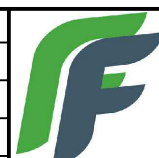


**2 REAR ELEVATION**  
 1:10 @ A3



**3 END ELEVATION**  
 1:10 @ A3

REVISION	DATE:	DRAWN BY.
6		
5		
4		
3		
2		
1		



© FURPHY FOUNDRY PTY LTD  
 THIS DOCUMENT IS AND SHALL REMAIN THE PROPERTY OF  
 FURPHY FOUNDRY. UNAUTHORISED USE OF THIS DOCUMENT  
 IN ANY FORM IS PROHIBITED.



Furphy Foundry Pty Ltd PH: (03) 5831 2777  
 A.B.N. 24 007 195 913 FAX: (03) 5831 2681  
 21 Drummond Rd, www.furphyfoundry.com.au  
 Shepparton VIC 3630 sales@furphyfoundry.com.au

CLIENT NAME	PROJECT	DRAWING TITLE	PROJECT No.	PAGE
FURPHY FOUNDRY	WOODGROVE SEAT - IN GROUND	PRELIMINARY	FFSB002009	A3
			DATE: 05-03-19	DRAWN PS
			DRAWING No. 005	SCALE NOTED
			SHEET No. 001	REV. 1