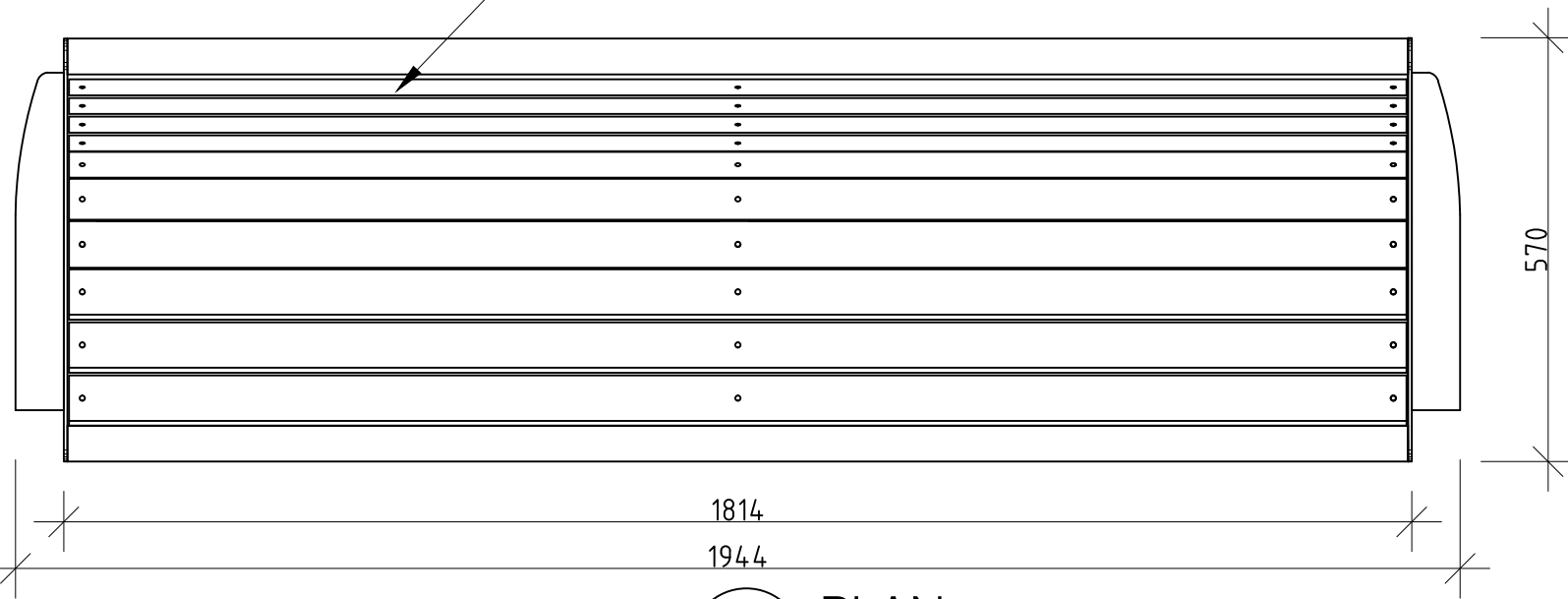


ALL DIMENSIONS IN MILLIMETRES - DO NOT SCALE

WOODGROVE RANGE

FFSB002005 1800mm SEAT - BOLT DOWN (WITH ARMS)

HWD TIMBER SLATS FOR BENCH FIXED TO STEEL SUPPORTS

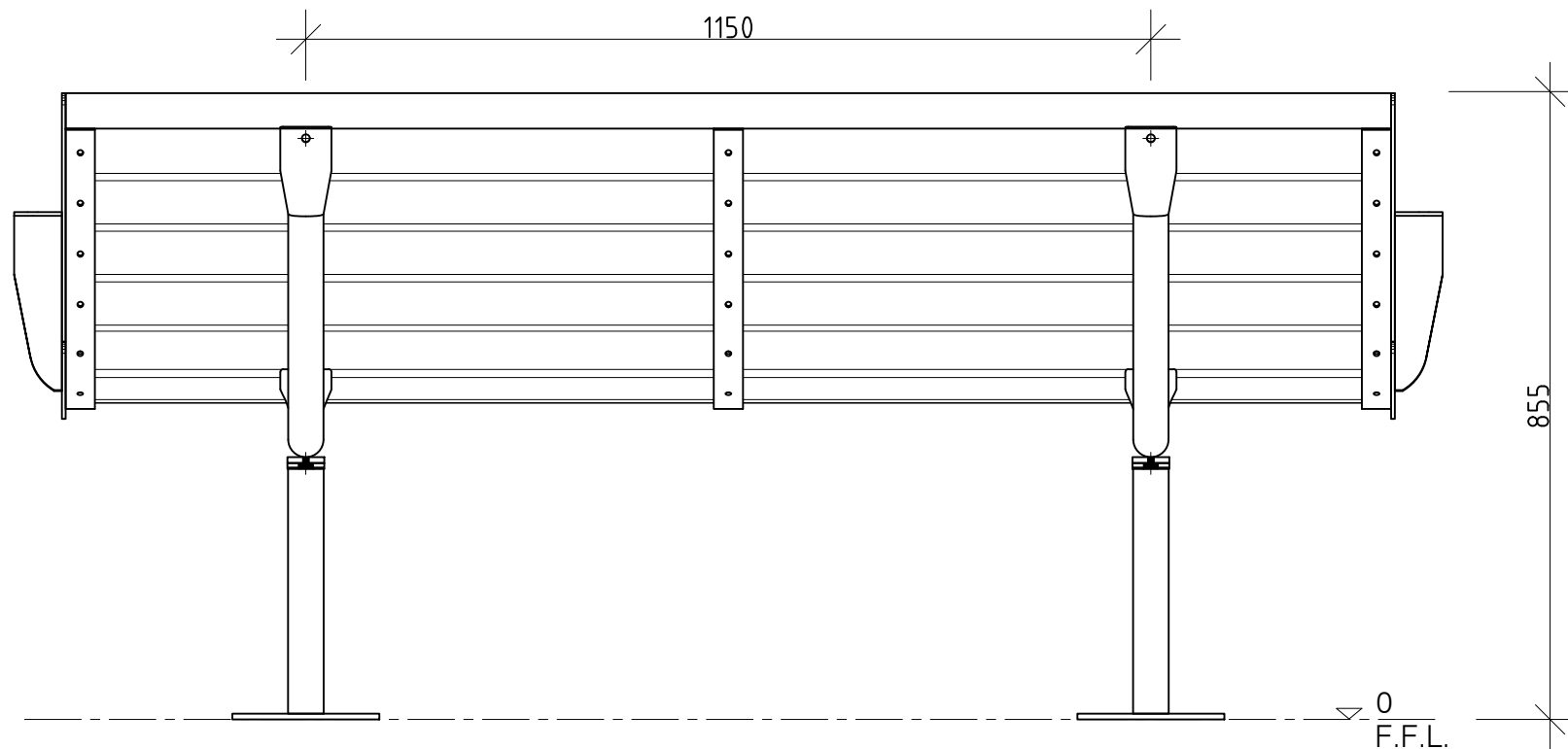


1 PLAN
1:10 @ A3

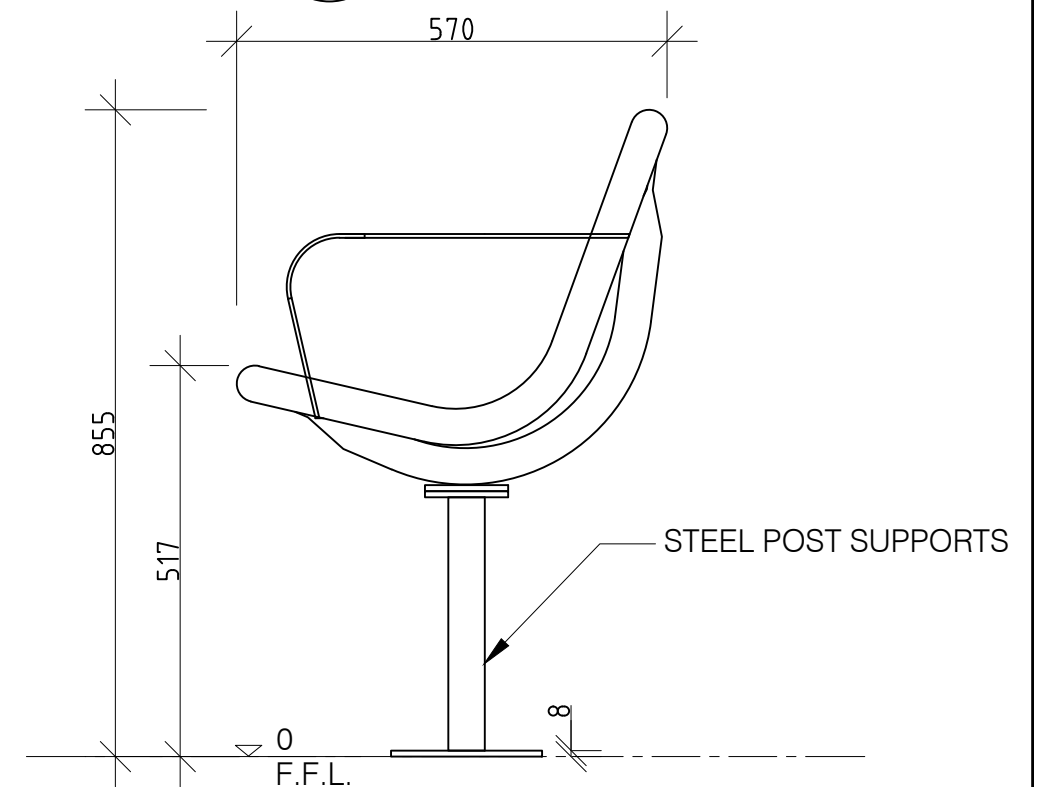


Slats available in:
Hardwood Timber (FFSB002005)
Aluminium (FFSB002005A)


4 PERSPECTIVE
N.T.S.



2 REAR ELEVATION
1:10 @ A3



3 END ELEVATION
1:10 @ A3

REVISION	DATE:	DRAWN BY:	 © FURPHY FOUNDRY PTY LTD THIS DOCUMENT IS AND SHALL REMAIN THE PROPERTY OF FURPHY FOUNDRY. UNAUTHORISED USE OF THIS DOCUMENT IN ANY FORM IS PROHIBITED.	CLIENT NAME	PROJECT No.	PAGE	
6				 Furphy Foundry Pty Ltd A.B.N. 24 007 195 913 21 Drummond Rd, Shepparton VIC 3630	FURPHY FOUNDRY	FFSB002005	A3
5				PH: (03) 5831 2777 FAX: (03) 5831 2681 www.furphyfoundry.com.au sales@furphyfoundry.com.au	PROJECT	DATE:	DRAWN
4					WOODGROVE SEAT - BOLT DOWN (WITH ARMS)	05-03-19	PS
3					-	DRAWING No.	SCALE
2					DRAWING TITLE	004	NOTED
1				PRELIMINARY	SHEET No.	REV.	
					001	1	