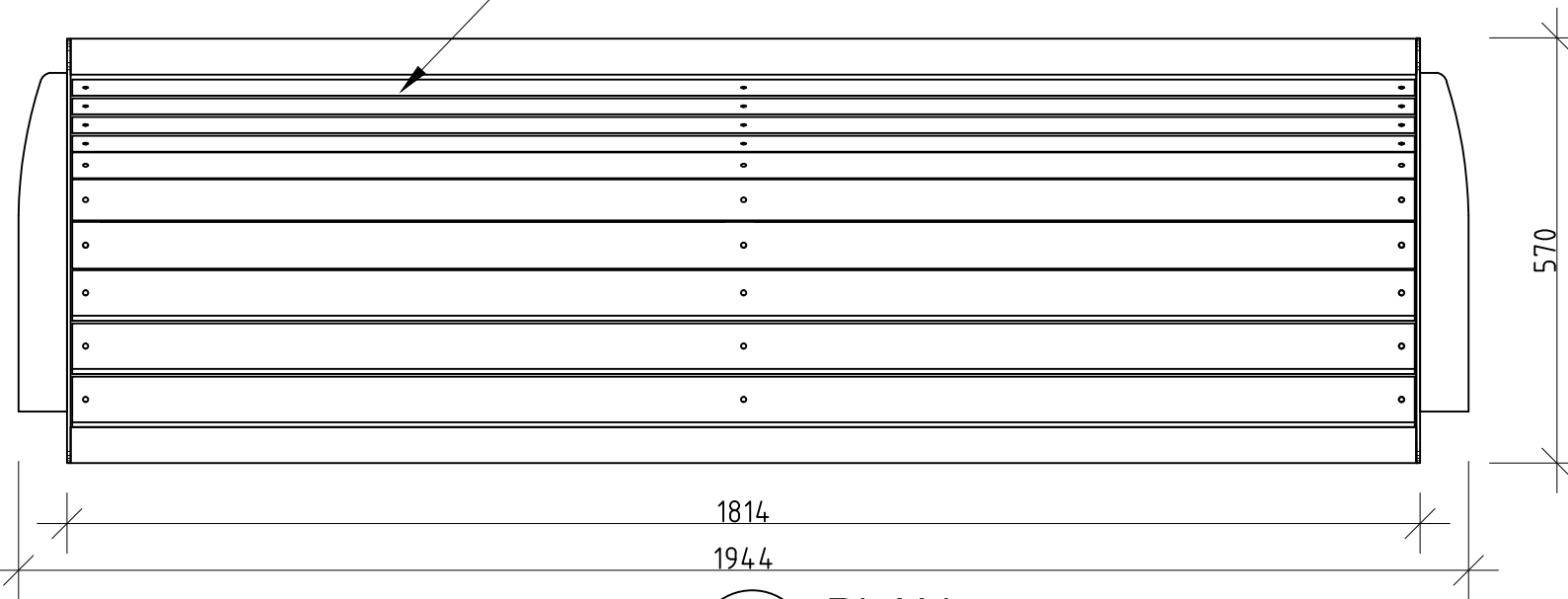


ALL DIMENSIONS IN MILLIMETRES - DO NOT SCALE

WOODGROVE SETTING SERIES

FFSB002005 1800mm SEAT - BOLT DOWN (WITH ARMS)

HWD TIMBER SLATS FOR BENCH FIXED TO STEEL SUPPORTS

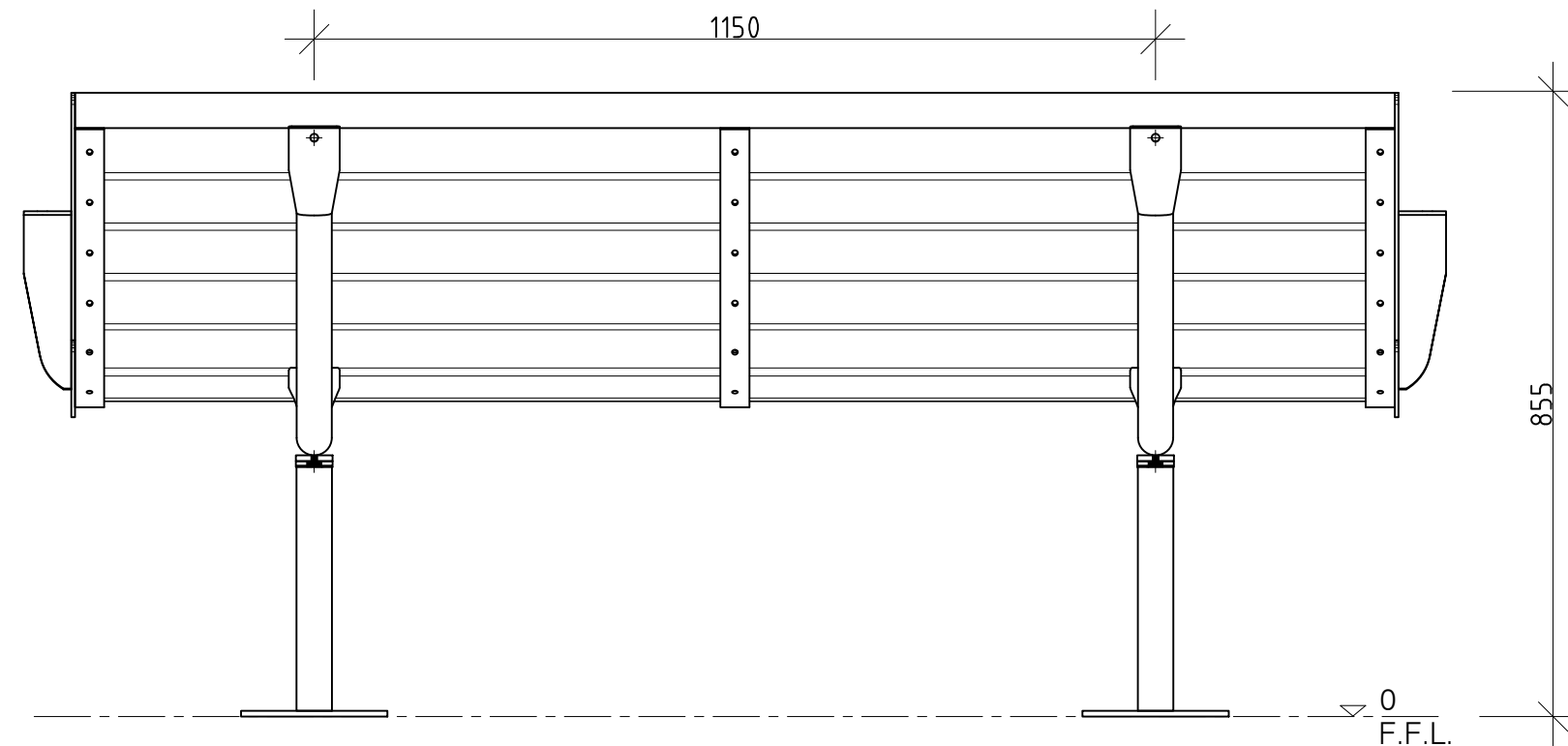


1 PLAN
1:10 @ A3

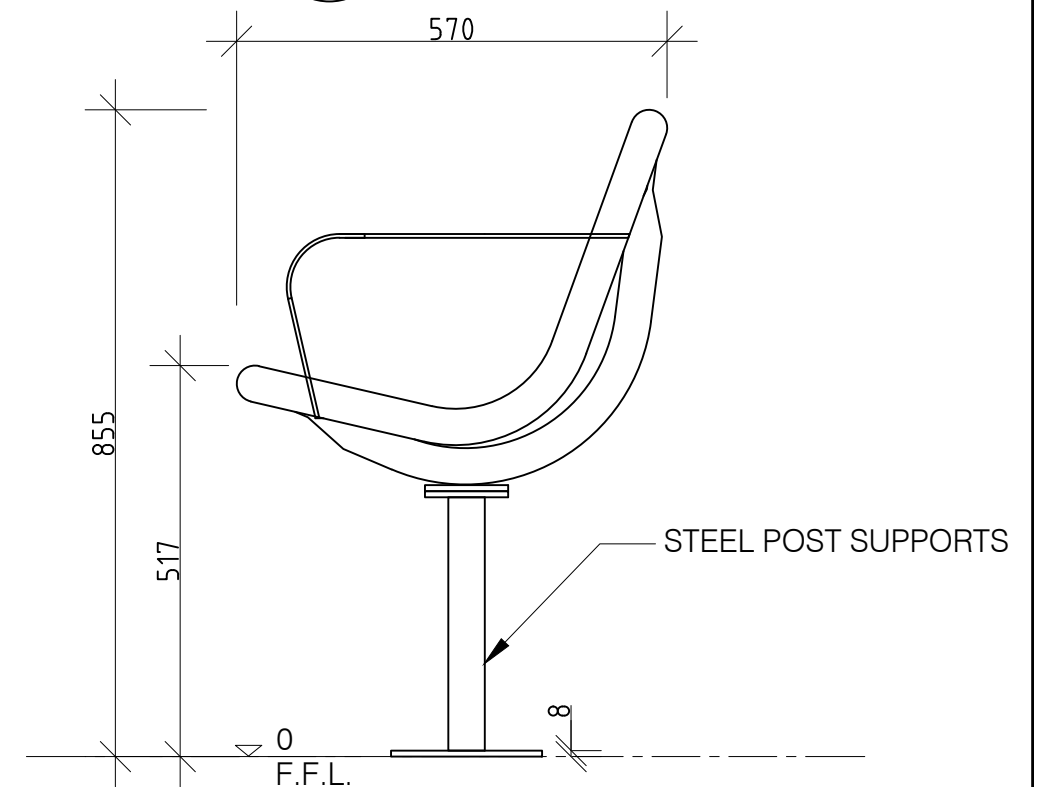


Slats available in:
Hardwood Timber (FFSB002005)
Aluminium (FFSB002005A)

4 PERSPECTIVE
N.T.S.

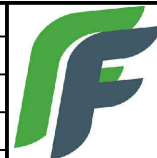


2 REAR ELEVATION
1:10 @ A3



3 END ELEVATION
1:10 @ A3

REVISION	DATE:	DRAWN BY:
6		
5		
4		
3		
2		
1		



© FURPHY FOUNDRY PTY LTD
 THIS DOCUMENT IS AND SHALL REMAIN THE PROPERTY OF FURPHY FOUNDRY. UNAUTHORISED USE OF THIS DOCUMENT IN ANY FORM IS PROHIBITED.



Furphy Foundry Pty Ltd PH: (03) 5831 2777
 A.B.N. 24 007 195 913 FAX: (03) 5831 2681
 21 Drummond Rd, www.furphyfoundry.com.au
 Shepparton VIC 3630 sales@furphyfoundry.com.au

CLIENT NAME FURPHY FOUNDRY	PROJECT No. FFSB002005	PAGE A3
PROJECT WOODGROVE SEAT - BOLT DOWN (WITH ARMS)	DATE: 05-03-19	DRAWN PS
DRAWING TITLE PRELIMINARY	DRAWING No. 004	SCALE NOTED
	SHEET No. 001	REV. 1