

ALL DIMENSIONS IN MILLIMETRES - DO NOT SCALE

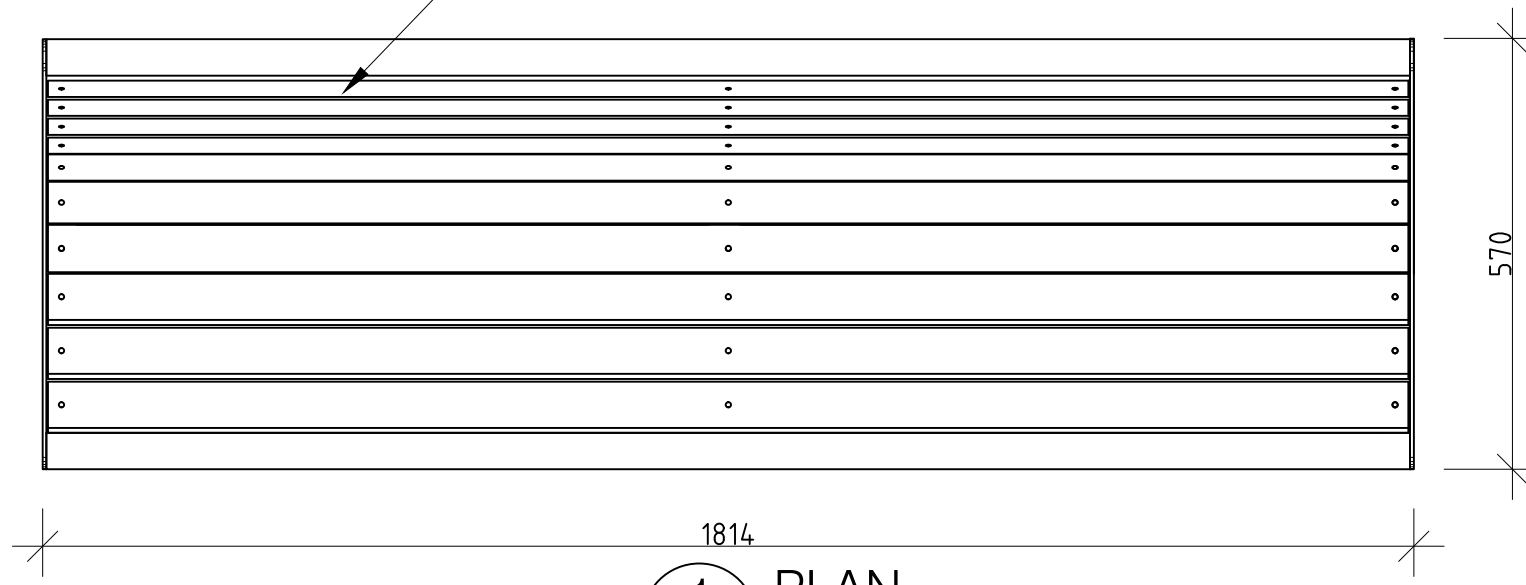
# WOODGROVE RANGE

FFSB002004 1800mm SEAT - BOLT DOWN (NO ARMS)

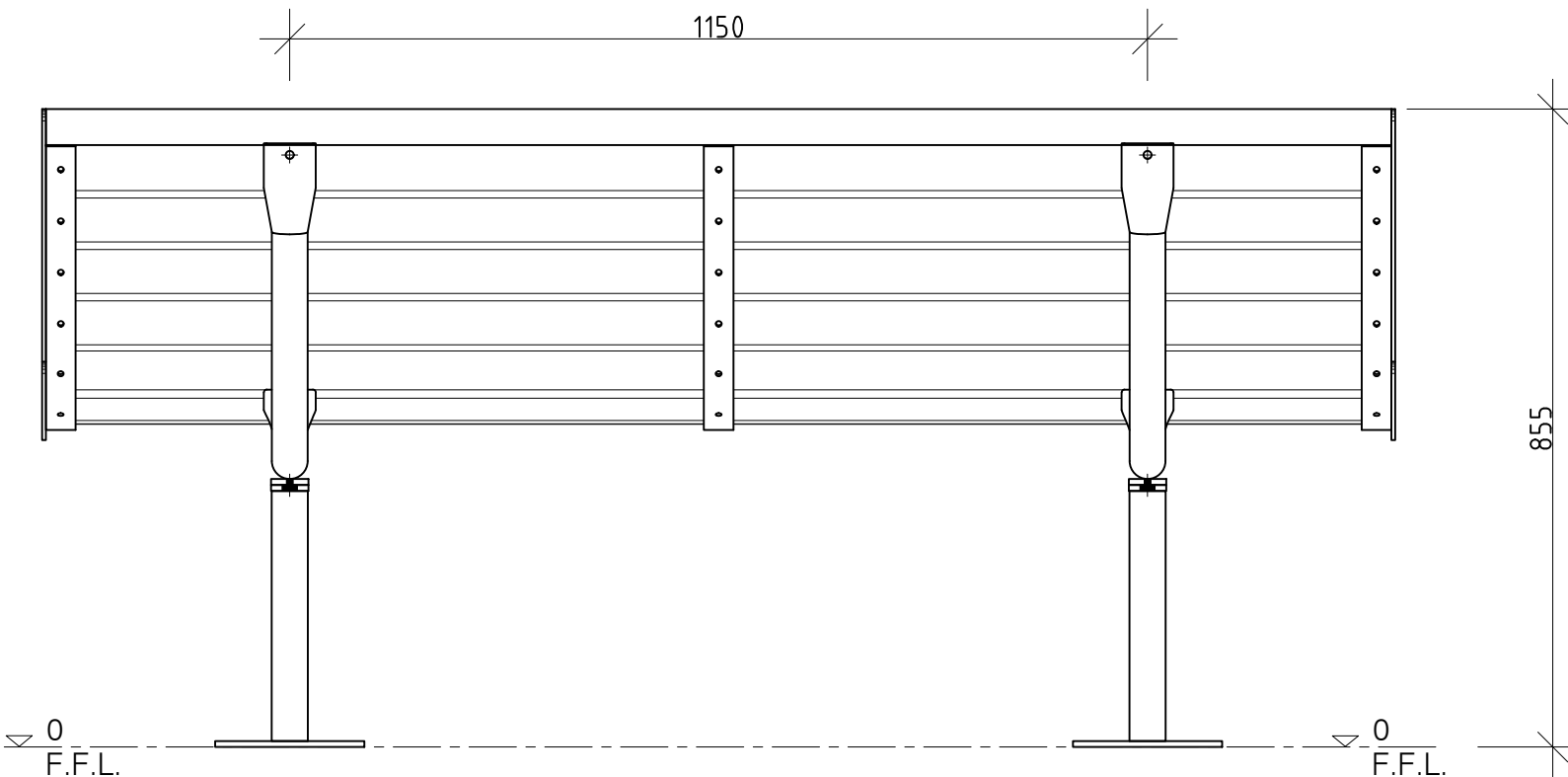
HWD TIMBER SLATS FOR BENCH FIXED TO STEEL SUPPORTS



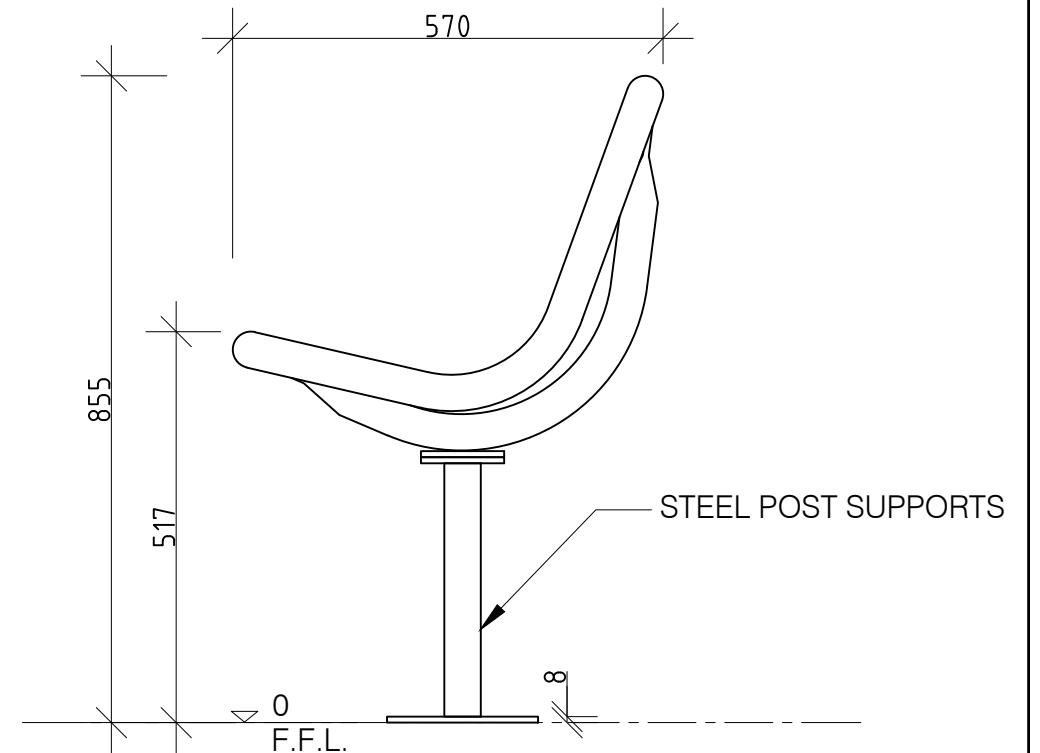
Slats available in:  
**Hardwood Timber (FFSB002004)**  
**Aluminium (FFSB002004A)**



1 PLAN  
1:10 @ A3



2 REAR ELEVATION  
1:10 @ A3



3 END ELEVATION  
1:10 @ A3

4 PERSPECTIVE  
N.T.S.

REVISION	DATE:	DRAWN BY:
6		
5		
4		
3		
2		
1		

**FURPHY FOUNDRY PTY LTD**  
 THIS DOCUMENT IS AND SHALL REMAIN THE PROPERTY OF FURPHY FOUNDRY. UNAUTHORISED USE OF THIS DOCUMENT IN ANY FORM IS PROHIBITED.

Furphy Foundry Pty Ltd PH: (03) 5831 2777  
 A.B.N. 24 007 195 913 FAX: (03) 5831 2681  
 21 Drummond Rd, www.furphyfoundry.com.au  
 Shepparton VIC 3630 sales@furphyfoundry.com.au

CLIENT NAME <b>FURPHY FOUNDRY</b>	PROJECT No. <b>FFSB002004</b>	PAGE <b>A3</b>
PROJECT <b>WOODGROVE SEAT - BOLT DOWN</b>	DATE: <b>05-03-19</b>	DRAWN <b>PS</b>
DRAWING TITLE <b>PRELIMINARY</b>	DRAWING No. <b>003</b>	SCALE <b>NOTED</b>
	SHEET No. <b>001</b>	REV. <b>1</b>

PROJECT No. <b>FFSB002004</b>	PAGE <b>A3</b>
DATE: <b>05-03-19</b>	DRAWN <b>PS</b>
DRAWING No. <b>003</b>	SCALE <b>NOTED</b>
SHEET No. <b>001</b>	REV. <b>1</b>