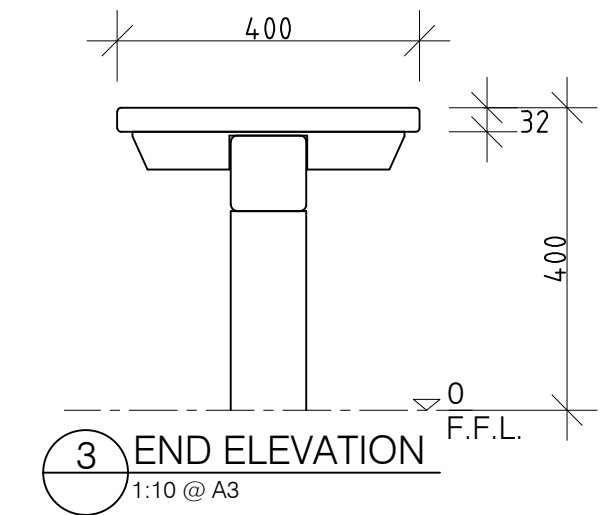
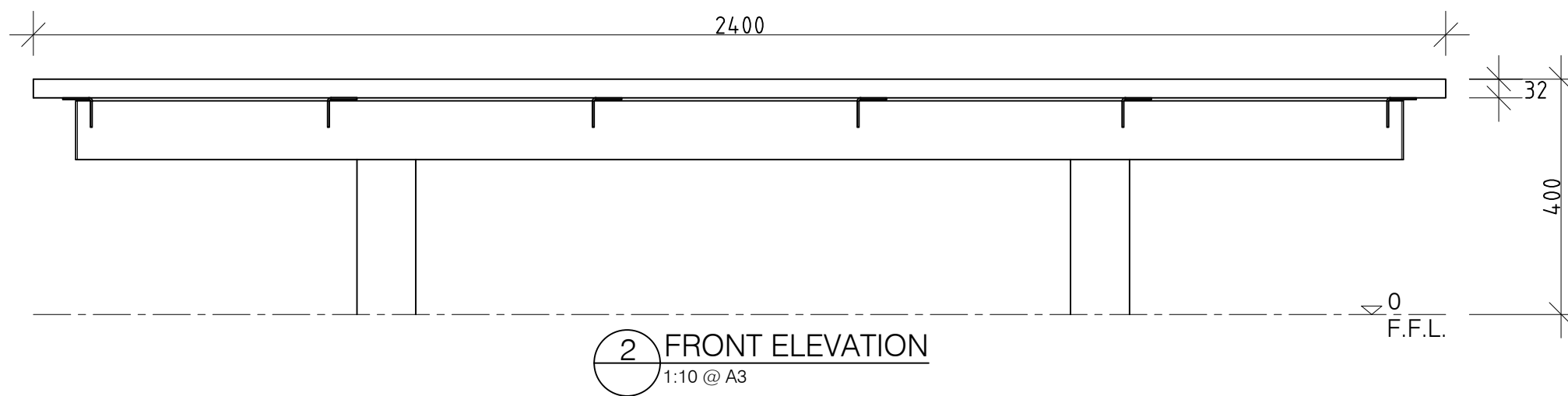
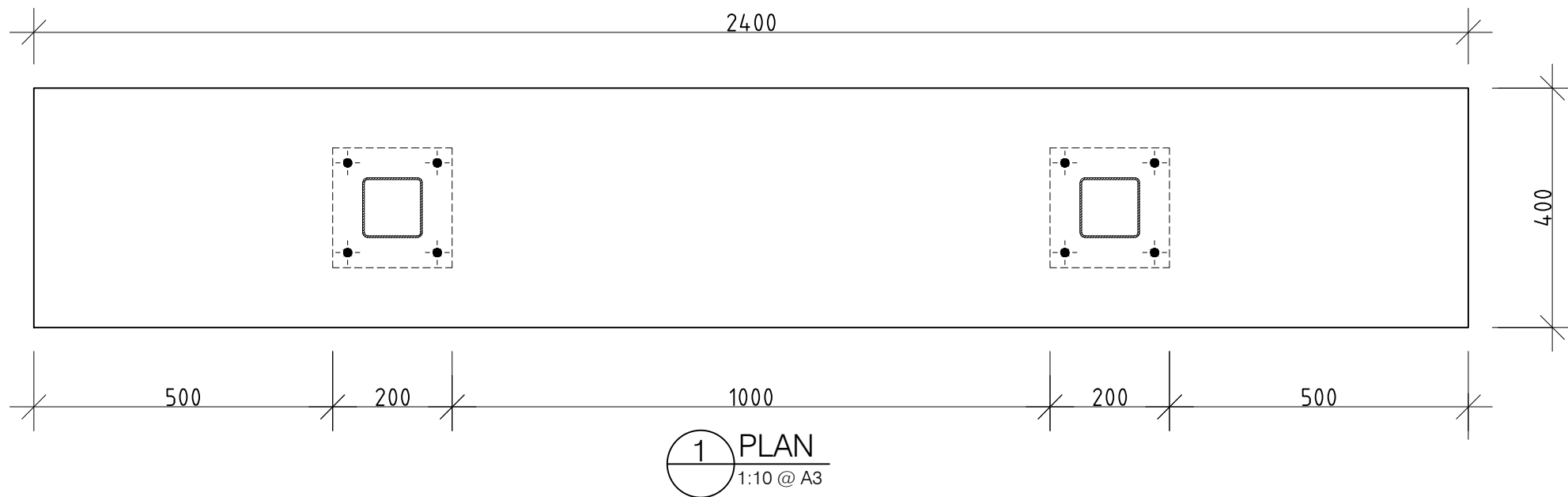


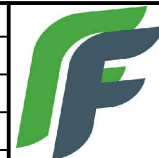
PRECINCT STANDARD BENCH

2400mm BENCH - BOLT BELOW

ALL DIMENSIONS IN MILLIMETRES - DO NOT SCALE



REVISION	DATE:	DRAWN BY.
6	-	-
5	-	-
4	-	-
3	-	-
2	-	-
1	-	-



© FURPHY FOUNDRY PTY LTD
THIS DOCUMENT IS AND SHALL REMAIN THE PROPERTY OF FURPHY FOUNDRY. UNAUTHORISED USE OF THIS DOCUMENT IN ANY FORM IS PROHIBITED.



Furphy Foundry Pty Ltd
A.B.N. 24 007 195 913
21 Drummond Rd,
Shepparton VIC 3630
PH: (03) 5831 2777
FAX: (03) 5831 2681
www.furphyfoundry.com.au
sales@furphyfoundry.com.au

CLIENT NAME	PROJECT No.	PAGE
FURPHY FOUNDRY	FFSB001500	A3
PROJECT	DATE:	DRAWN
PRECINCT RANGE PRECINCT BENCH - 2400mm	18-12-19	PS
DRAWING TITLE	DRAWING No.	SCALE
PRELIMINARY	FFSB001500	NOTED
	SHEET No.	REV.
	001	0