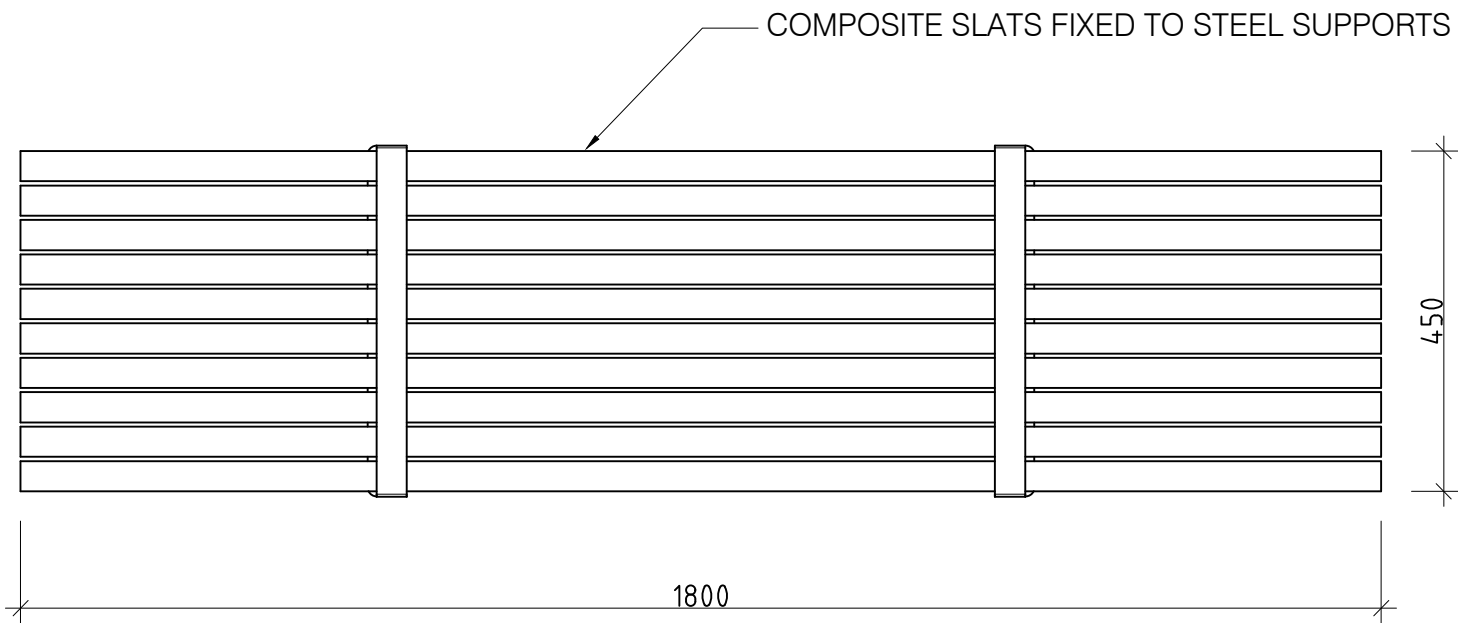
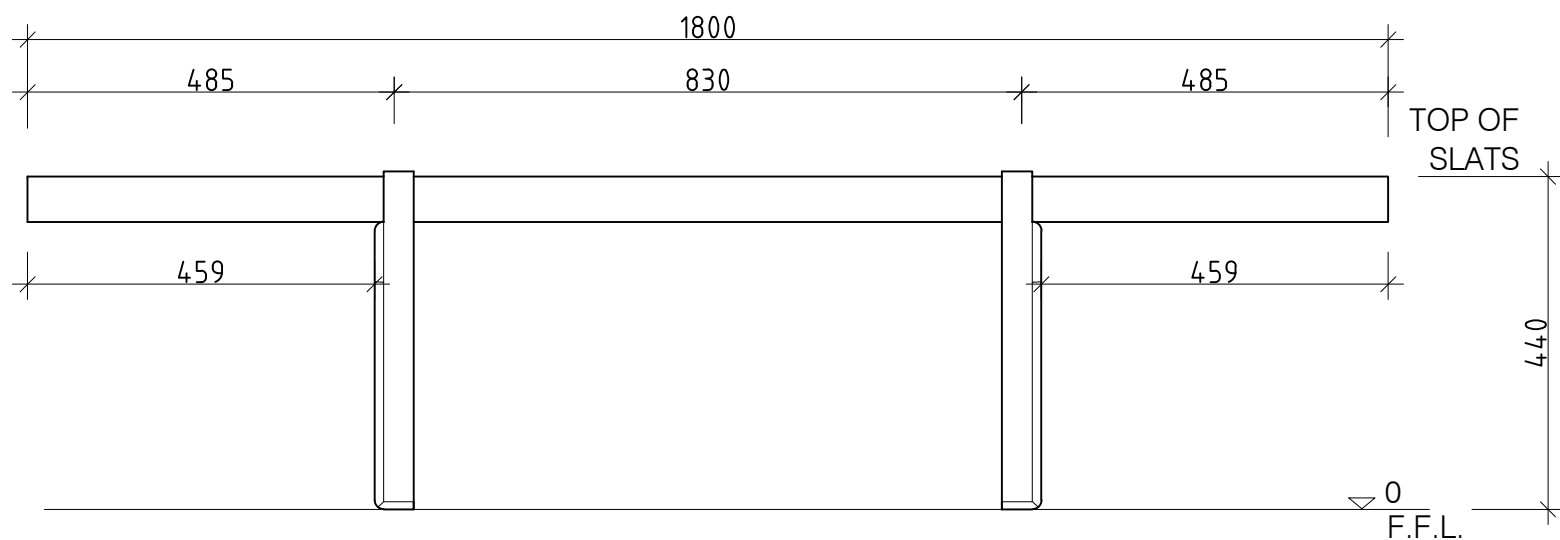


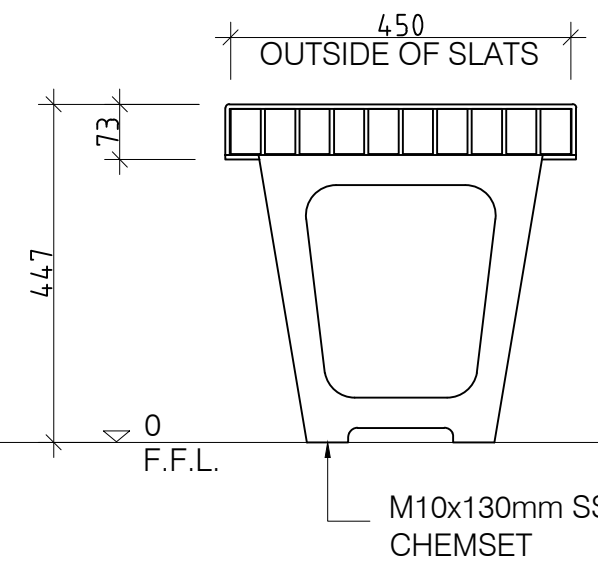
ALL DIMENSIONS IN MILLIMETRES - DO NOT SCALE



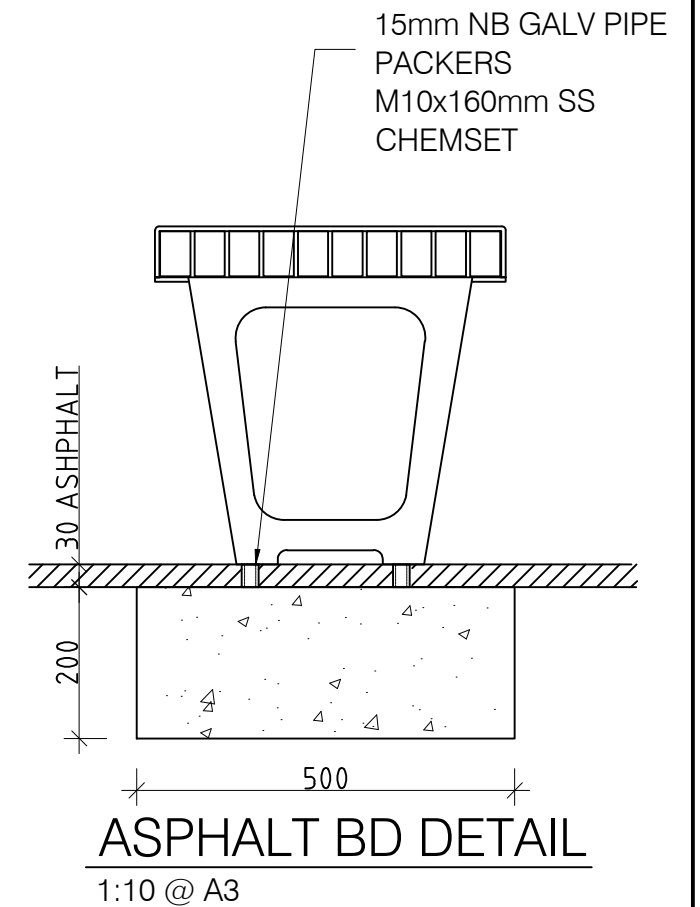
1 PLAN
1:10 @ A3



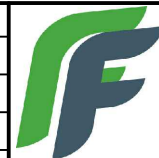
2 FRONT ELEVATION
1:10 @ A3



3 END ELEVATION
1:10 @ A3



REVISION	DATE:	DRAWN BY.
6	-	-
5	-	-
4	-	-
3	-	-
2	-	-
1	-	-



© FURPHY FOUNDRY PTY LTD
THIS DOCUMENT IS AND SHALL REMAIN THE PROPERTY OF FURPHY FOUNDRY. UNAUTHORISED USE OF THIS DOCUMENT IN ANY FORM IS PROHIBITED.



Furphy Foundry Pty Ltd
A.B.N. 24 007 195 913
21 Drummond Rd,
Shepparton VIC 3630

PH: (03) 5831 2777
FAX: (03) 5831 2681
www.furphyfoundry.com.au
sales@furphyfoundry.com.au

CLIENT NAME	PROJECT	DRAWING TITLE	PROJECT No.	PAGE
FURPHY FOUNDRY	-	PRELIMINARY	FFSB001400	A3
			DATE: 30-08-19	DRAWN PS
			DRAWING No. FFSB001400	SCALE NOTED
			SHEET No. 001	REV. 0