

ALL DIMENSIONS IN MILLIMETRES - DO NOT SCALE

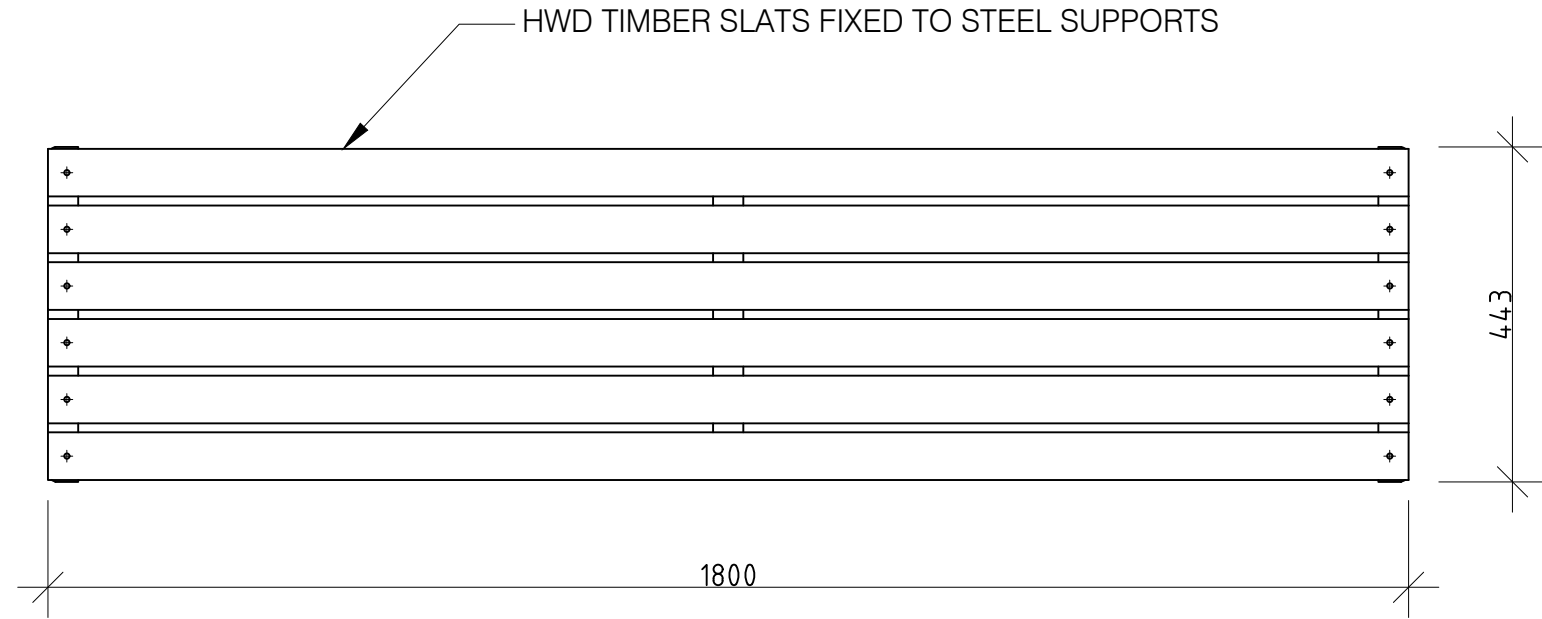
CIVIC RANGE

FFSB001017 1800mm BENCH - BOLT DOWN

Slats available in:
Hardwood Timber (FFSB001017)
Aluminium (FFSB001017A)

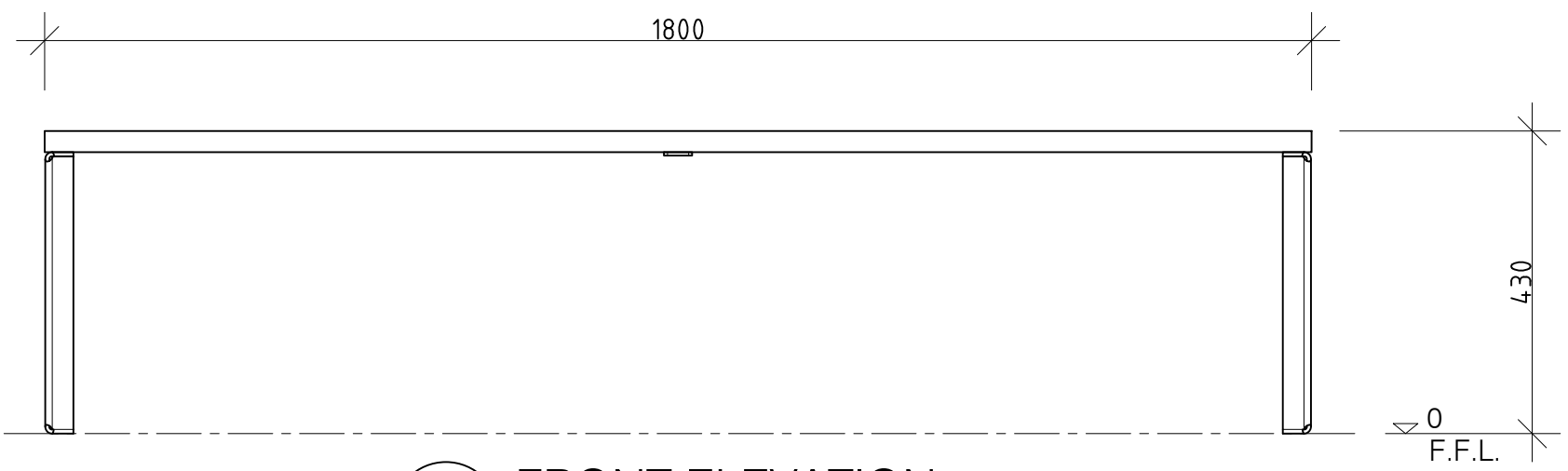


HWD TIMBER SLATS FIXED TO STEEL SUPPORTS

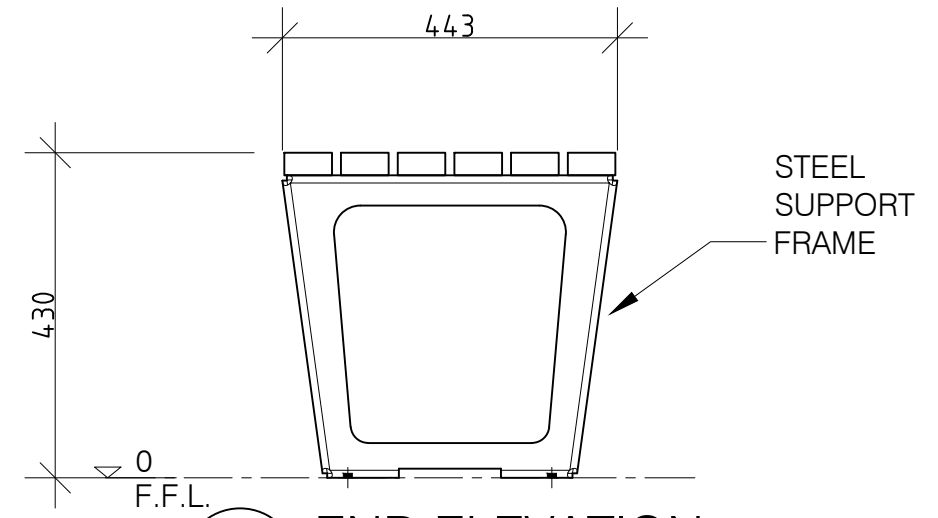


1 PLAN
1:10 @ A3

4 PERSPECTIVE
N.T.S.



2 FRONT ELEVATION
1:10 @ A3



3 END ELEVATION
1:10 @ A3

REVISION	DATE:	DRAWN BY:
6		
5		
4		
3		
2		
1		

FURPHY FOUNDRY PTY LTD
 THIS DOCUMENT IS AND SHALL REMAIN THE PROPERTY OF FURPHY FOUNDRY. UNAUTHORISED USE OF THIS DOCUMENT IN ANY FORM IS PROHIBITED.

Furphy Foundry Pty Ltd
 A.B.N. 24 007 195 913
 21 Drummond Rd, Shepparton VIC 3630
 PH: (03) 5831 2777
 FAX: (03) 5831 2681
 www.furphyfoundry.com.au
 sales@furphyfoundry.com.au

CLIENT NAME FURPHY FOUNDRY	PROJECT No. FFSB001017	PAGE A3
PROJECT CIVIC BENCH - BOLT DOWN	DATE: 08-05-19	DRAWN PS
DRAWING TITLE PRELIMINARY	DRAWING No. 039	SCALE NOTED
	SHEET No. 001	REV. 1