

WOODGROVE RANGE

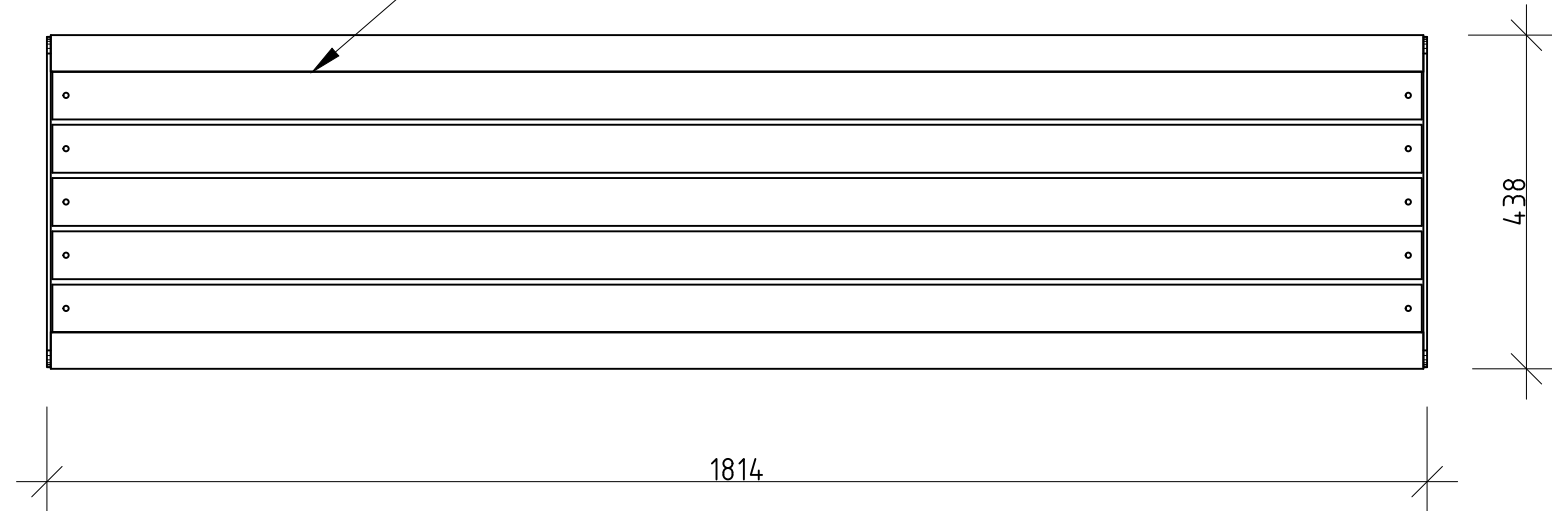
FFSB001008 1800mm BENCH - IN GROUND

ALL DIMENSIONS IN MILLIMETRES - DO NOT SCALE

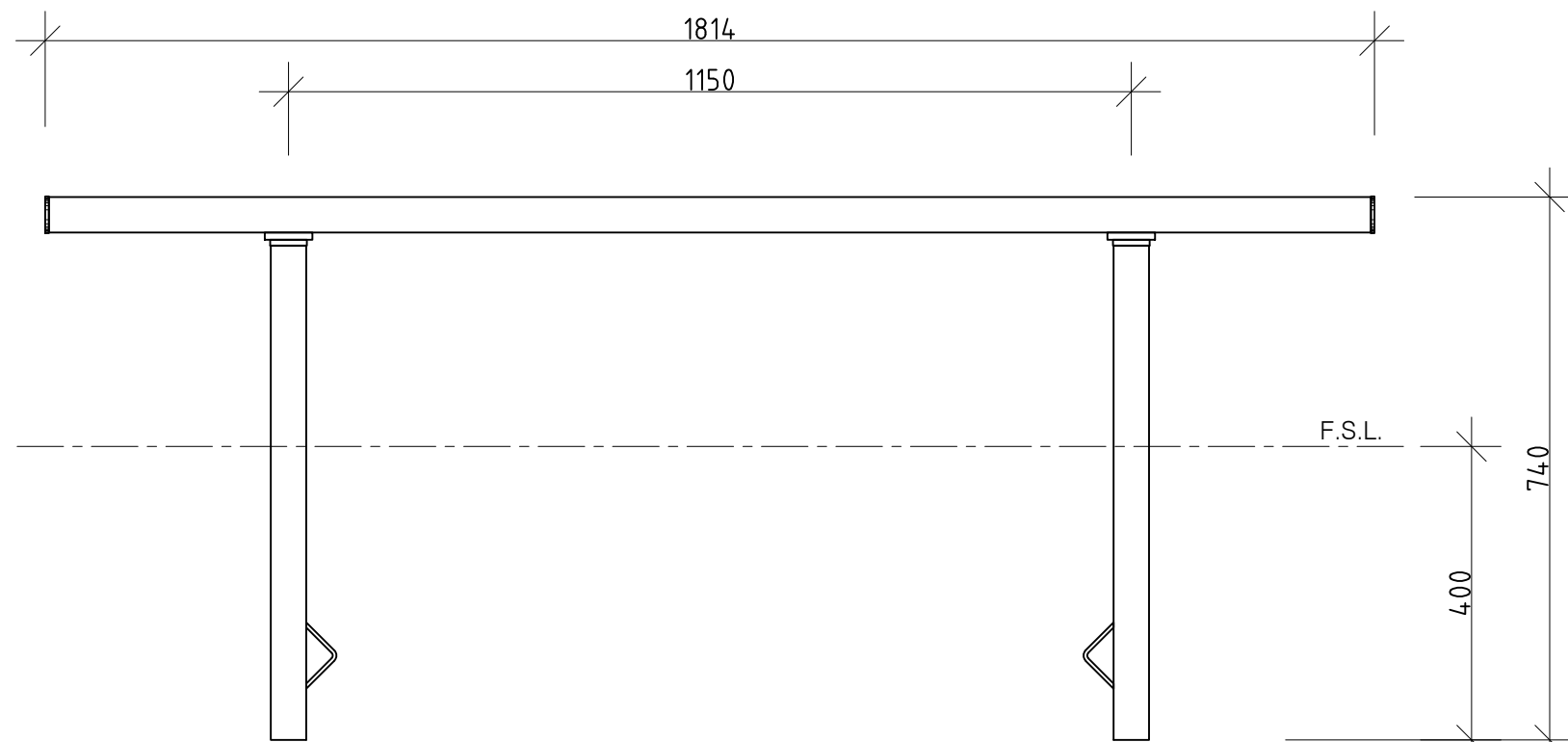
Slats available in:
Hardwood Timber (FFSB001008)
Aluminium (FFSB001008A)



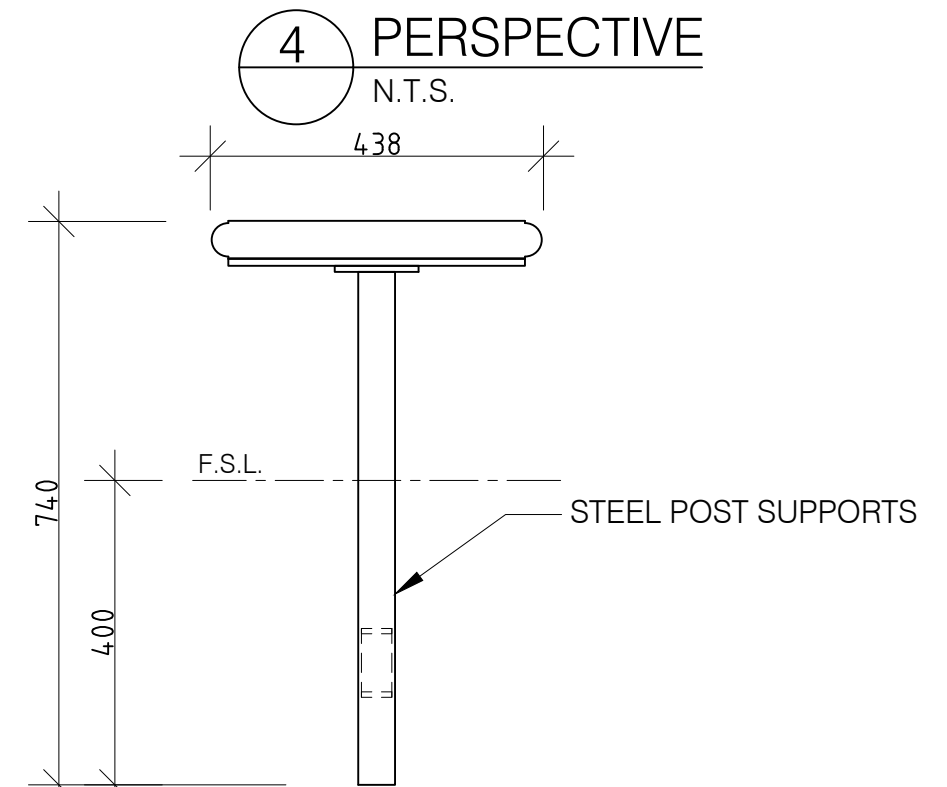
HWD TIMBER SLATS FOR BENCH FIXED TO STEEL SUPPORTS



1 PLAN
1:10 @ A3




2 FRONT ELEVATION
1:10 @ A3



4 PERSPECTIVE
N.T.S.

3 END ELEVATION
1:10 @ A3

| REVISION | DATE: | DRAWN BY: | | CLIENT NAME | PROJECT | DRAWING TITLE | PROJECT No. | PAGE |
|----------|-------|-----------|---|-----------------------|------------------------------------|--------------------|-------------------|-----------|
| 6 | | |  FURPHY FOUNDRY EST. 1864 Furphy Foundry Pty Ltd PH: (03) 5831 2777 A.B.N. 24 007 195 913 FAX: (03) 5831 2681 21 Drummond Rd, www.furphyfoundry.com.au Shepparton VIC 3630 sales@furphyfoundry.com.au | FURPHY FOUNDRY | WOODGROVE BENCH - IN GROUND | PRELIMINARY | FFSB001008 | A3 |
| 5 | | | | | | | DATE: | DRAWN |
| 4 | | | | | | | DRAWING No. | SCALE |
| 3 | | | | | | | 002 | NOTED |
| 2 | | | | | | | SHEET No. | REV. |
| 1 | | | | | | | 001 | 1 |

© FURPHY FOUNDRY PTY LTD
 THIS DOCUMENT IS AND SHALL REMAIN THE PROPERTY OF
 FURPHY FOUNDRY. UNAUTHORISED USE OF THIS DOCUMENT
 IN ANY FORM IS PROHIBITED.