



Quality
ISO 9001



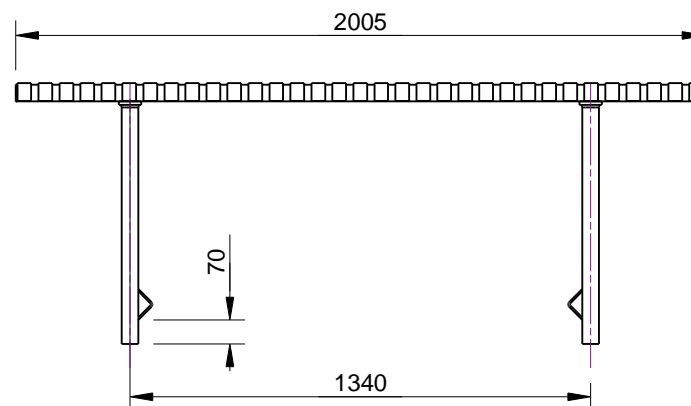
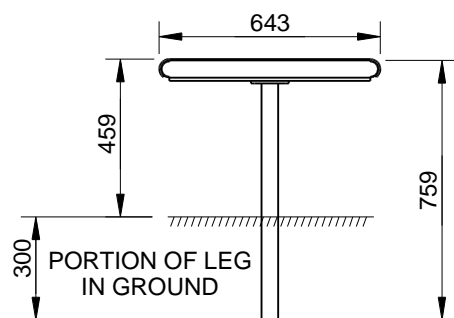
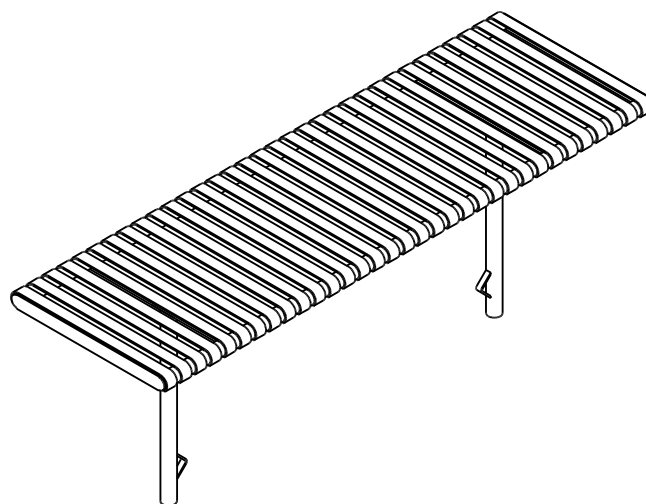
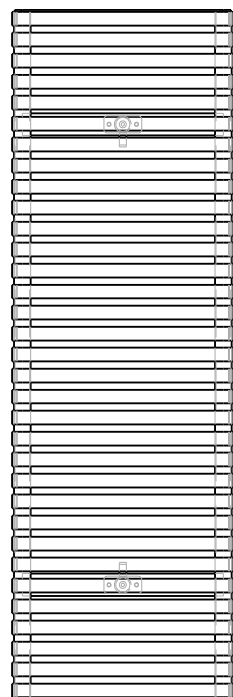
SPECIFICATION:

Material:
Frame & Slats: Mild Steel Construction

Dimensions:
All in mm unless otherwise stated

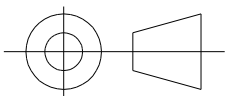
Finish:
Steel - Galvanised and optional Powder Coat

Ground Fixings:
In ground



CONFIDENTIAL

REVISION	#	DESCRIPTION	BY	DATE	DRAWN	DRAWN DATE	CHECKED	CHECKED DATE	SCALE	A4
	1	ORIGINAL DRAWING	DN	19.7.10	R.CRIGTON	11.12.13			N/A	
2	FULL PRODUCT REVIEW	RBC	11.12.13							
3										
4										
5										



STEEL SLATTED BENCH - IN GROUND
SPEC.

FFSB001007

REV.
2

SHEET
1 OF 2