

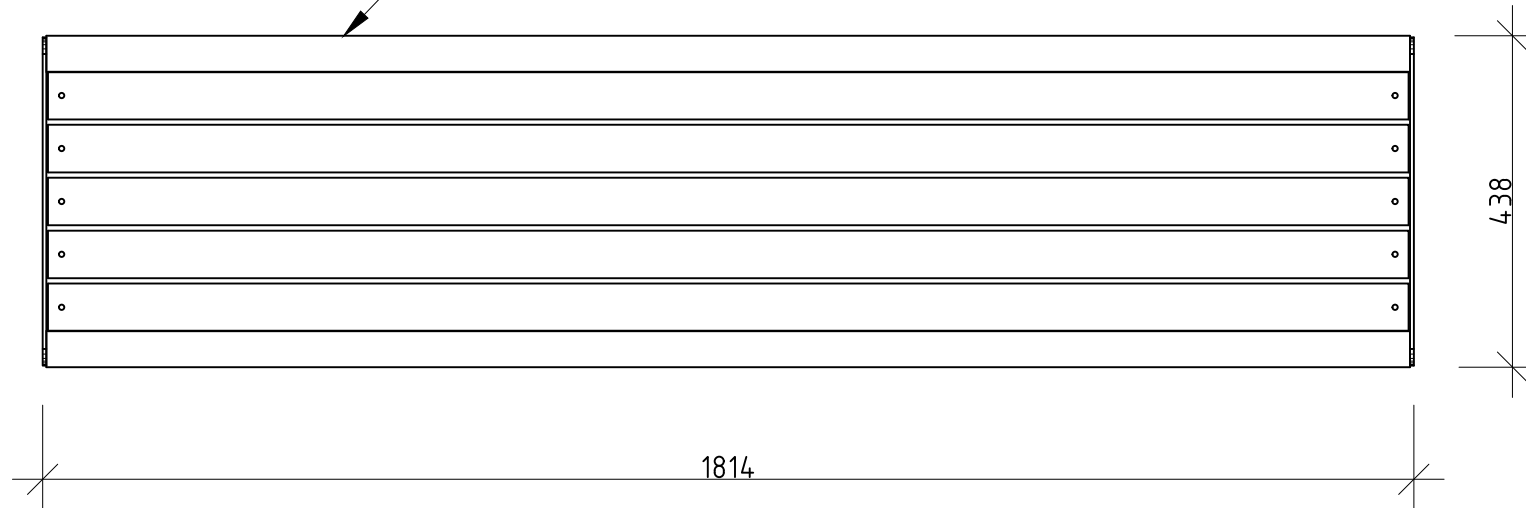
ALL DIMENSIONS IN MILLIMETRES - DO NOT SCALE

# WOODGROVE RANGE

FFSB001004 1800mm BENCH - BOLT DOWN

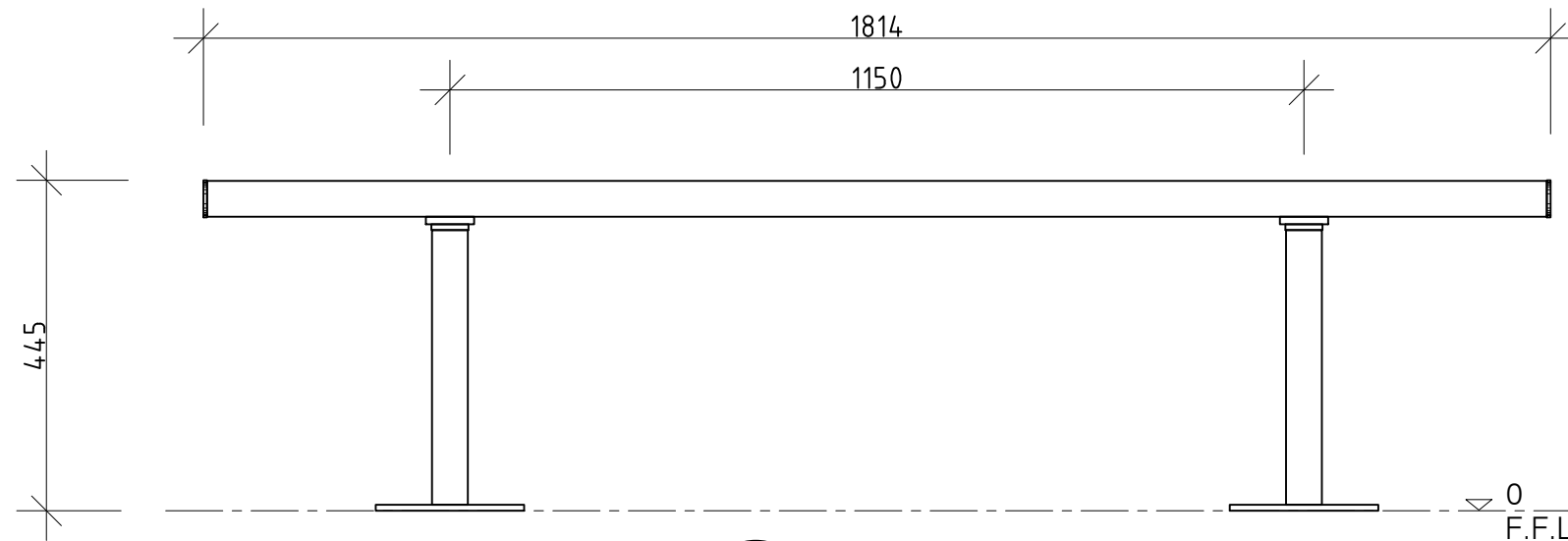
Slats available in:  
**Hardwood Timber (FFSB001004)**  
**Aluminium (FFSB001004A)**

HWD TIMBER SLATS FOR BENCH FIXED TO STEEL SUPPORTS

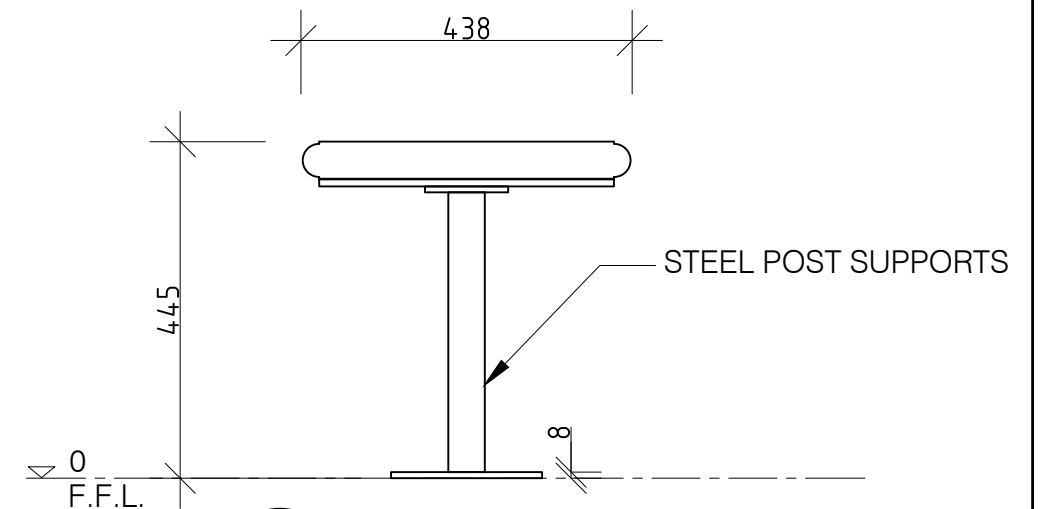


**1** PLAN  
1:10 @ A3


**4** PERSPECTIVE  
N.T.S.



**2** FRONT ELEVATION  
1:10 @ A3



**3** END ELEVATION  
1:10 @ A3

REVISION	DATE:	DRAWN BY:		CLIENT NAME	PROJECT	PROJECT No.	PAGE
6			 <b>FURPHY</b> <small>FOUNDRY EST. 1864</small> © FURPHY FOUNDRY PTY LTD THIS DOCUMENT IS AND SHALL REMAIN THE PROPERTY OF FURPHY FOUNDRY. UNAUTHORISED USE OF THIS DOCUMENT IN ANY FORM IS PROHIBITED.	<b>FURPHY FOUNDRY</b>	<b>WOODGROVE BENCH - BOLT DOWN</b>	<b>FFSB001004</b>	<b>A3</b>
5						DATE:	DRAWN
4						<b>05-03-19</b>	<b>PS</b>
3						DRAWING No.	SCALE
2						<b>001</b>	<b>NOTED</b>
1						SHEET No.	REV.
					<b>001</b>	<b>1</b>	

Furphy Foundry Pty Ltd PH: (03) 5831 2777  
 A.B.N. 24 007 195 913 FAX: (03) 5831 2681  
 21 Drummond Rd, www.furphyfoundry.com.au  
 Shepparton VIC 3630 sales@furphyfoundry.com.au

DRAWING TITLE  
**PRELIMINARY**