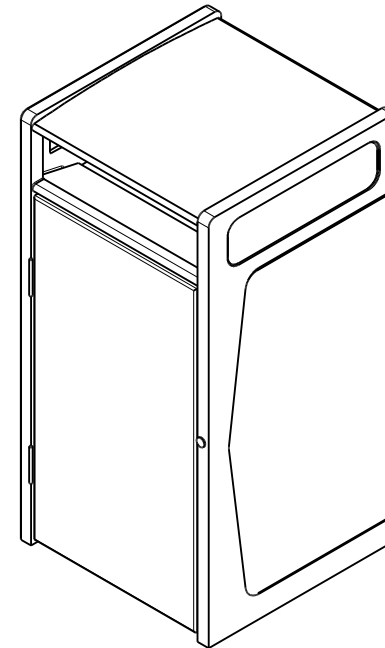
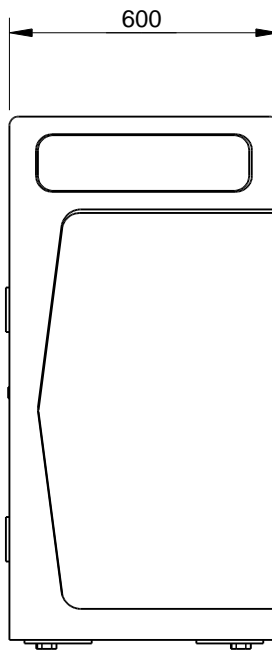


BOLT DOWN DETAIL
 4 OFF Ø15 THRU
 WITH Ø25x18
 COUNTERBORE



Quality
 ISO 9001
 SAI GLOBAL

SPECIFICATION:

MATERIALS:
 Main construction - Recycled cast aluminium
 Panels - 304 Stainless steel

DIMENSIONS:
 mm unless otherwise stated

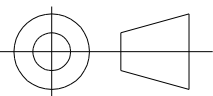
FINISH:
 No.4 Polished

GROUND ATTACHMENTS:
 Bolt down with adjustable brass feet



copyright
 CONFIDENTIAL

REVISION #	DESCRIPTION	BY	DATE	DRAWN	DRAWN DATE	CHECKED	CHECKED DATE	SCALE	A4
								N/A	
1	ORIGINAL DRAWING	SJ	22.7.10	R.CRIGTON	2.4.14				
2	FULL PRODUCT REVIEW	RBC	2.4.14						
3									
4									
5									



FULCRUM RECYCLE UNIT 120L
 SPEC.
 FFSA013008
 REV. 2
 SHEET 1 OF 4