

## SPECIFICATION:

### MATERIALS:

Main construction - Cast aluminium  
Top bowl - Stainless Steel

### DIMENSIONS:

mm unless otherwise stated

### FINISH:

Powder Coat

### GROUND FIXINGS:

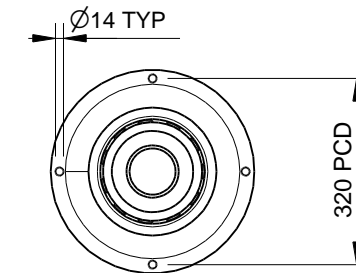
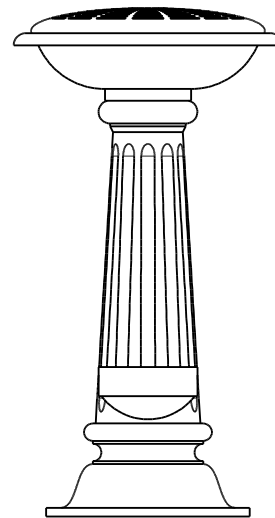
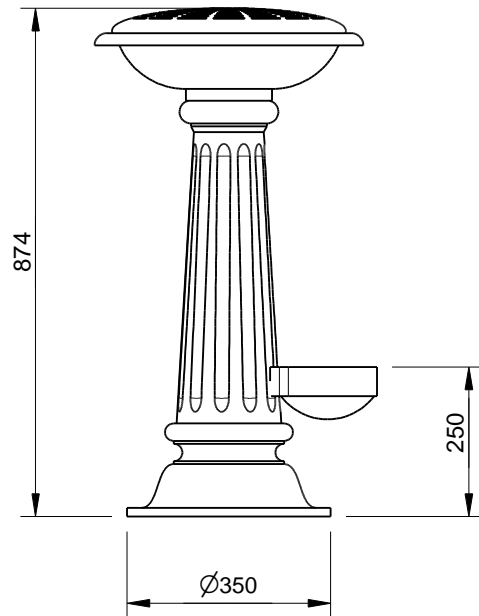
Bolt down

### OPTIONAL ATTACHMENT:

Dog bowl  
Side Tap



Quality  
ISO 9001



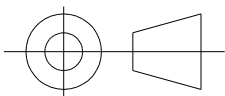
TOP VIEW  
DOG BOWL &  
DRINKING BOWL HIDDEN  
FOR CLARRITY



copyright

CONFIDENTIAL

REVISION #	DESCRIPTION	BY	DATE	DRAWN	DRAWN DATE	CHECKED	CHECKED DATE	SCALE	A4
								N/A	
1	ORIGINAL DRAWING	SJ	23.4.12	R.CRIGTON	31.3.14				
2	FULL PRODUCT REVIEW	RBC	31.3.14						
3									
4									
5									



LONDON DRINKING FOUNTAIN SPEC.  
FFSA009001  
REV. 2  
SHEET 1 OF 2