



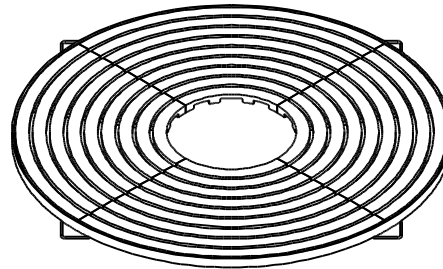
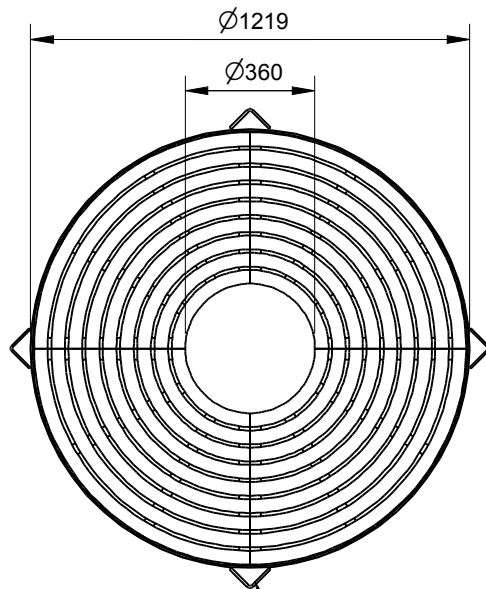
Quality
ISO 9001
SAI GLOBAL

SPECIFICATION:

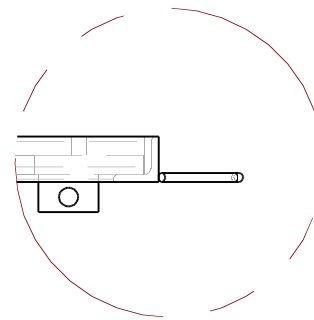
MATERIALS:
Grate - Recycled Aluminum
Frame - Mild Steel

DIMENSIONS:
All in mm unless otherwise stated

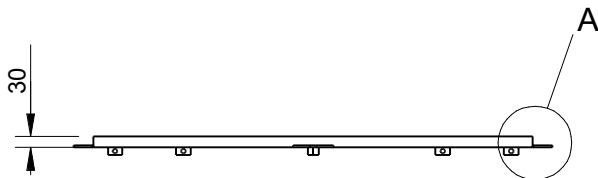
FINISH:
Frame - Galvanised & Optional Powder Coat
Grate - Mill or Optional Powder Coat



CONCRETE FIXING



Detail A
LUG PLACEMENT
HIDDEN LINES SHOWN



© copyright

CONFIDENTIAL

REVISION	#	DESCRIPTION	BY	DATE	DRAWN	DRAWN DATE	CHECKED	CHECKED DATE	SCALE	A4
	1		ORIGINAL DRAWING			R.CRIGTON	26.3.14			
2							1219 CIRCULAR TREE GRATE SPEC.			
3										
4							FFSA006007		REV. 1	SHEET 1 OF 2
5										

