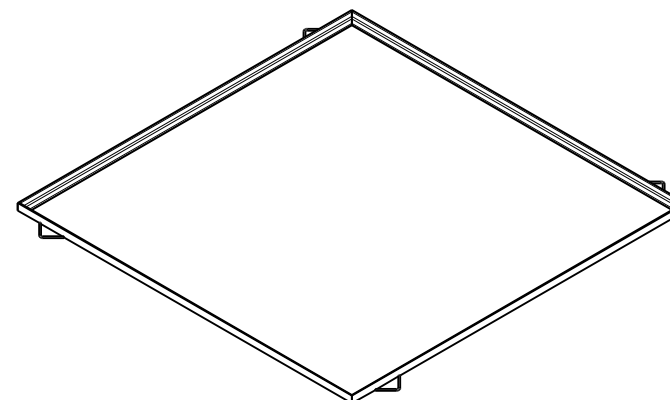
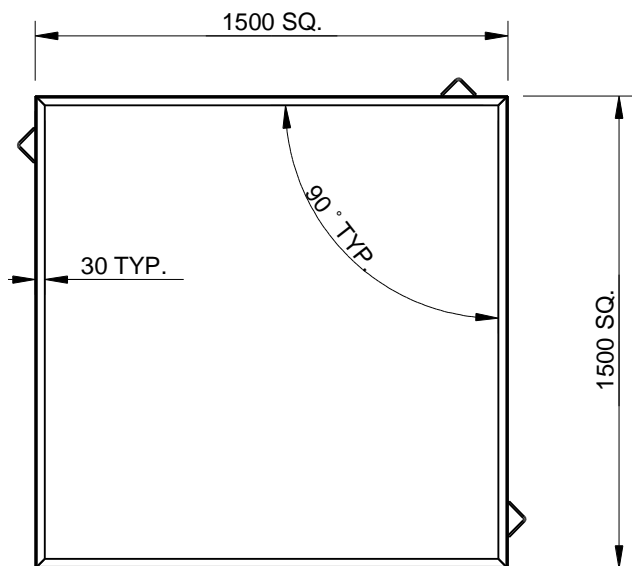
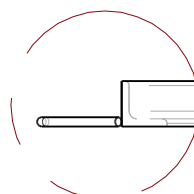




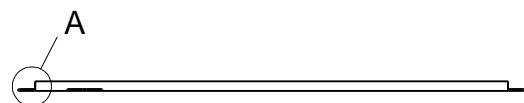
Quality
ISO 9001
SAI GLOBAL



CONCRETE FIXING



Detail A
LUG PLACEMENT
HIDDEN LINES SHOWN



SPECIFICATION:

MATERIALS:

Grate - 100% Recycled Aluminum
Frame - Mild Steel

DIMENSIONS:

All in mm unless otherwise stated

FINISH:

Frame - Galvanised & Optional Powder Coat
Grate - Mill or Optional Powder Coat



copyright

CONFIDENTIAL

REVISION #	DESCRIPTION	BY	DATE	DRAWN	DRAWN DATE	CHECKED	CHECKED DATE	SCALE	A4
2	FULL PRODUCT REVIEW	RBC	10.12.13						
3									
4									
5									

TREE GRATE 1500x1500
SPEC.

FFSA006004

REV. 2

SHEET 1 OF 2