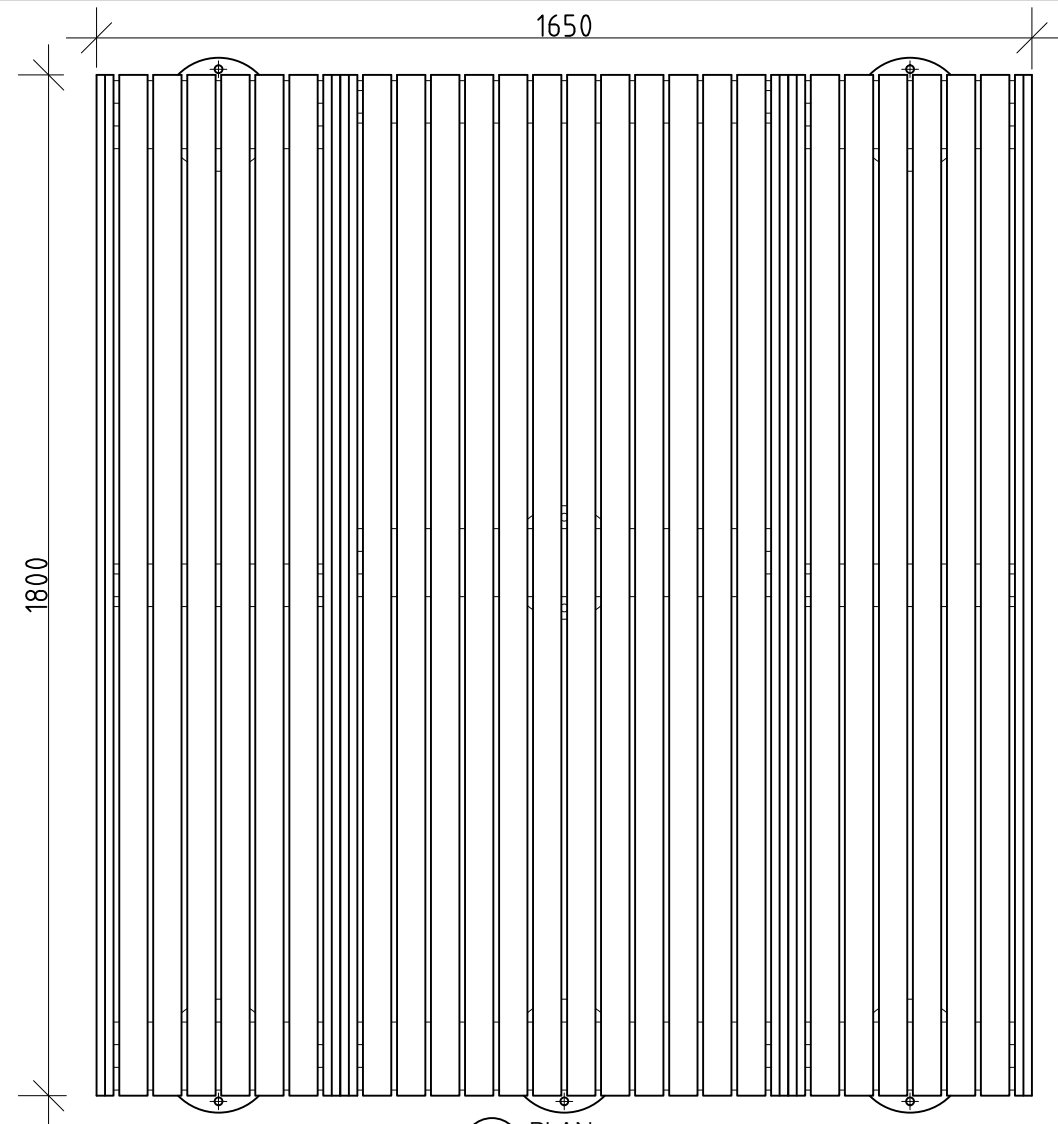


ALL DIMENSIONS IN MILLIMETRES - DO NOT SCALE

PROMENADE RANGE

FFSB004011 1800mm PICNIC SETTING - BOLT DOWN (WCA ONE END)

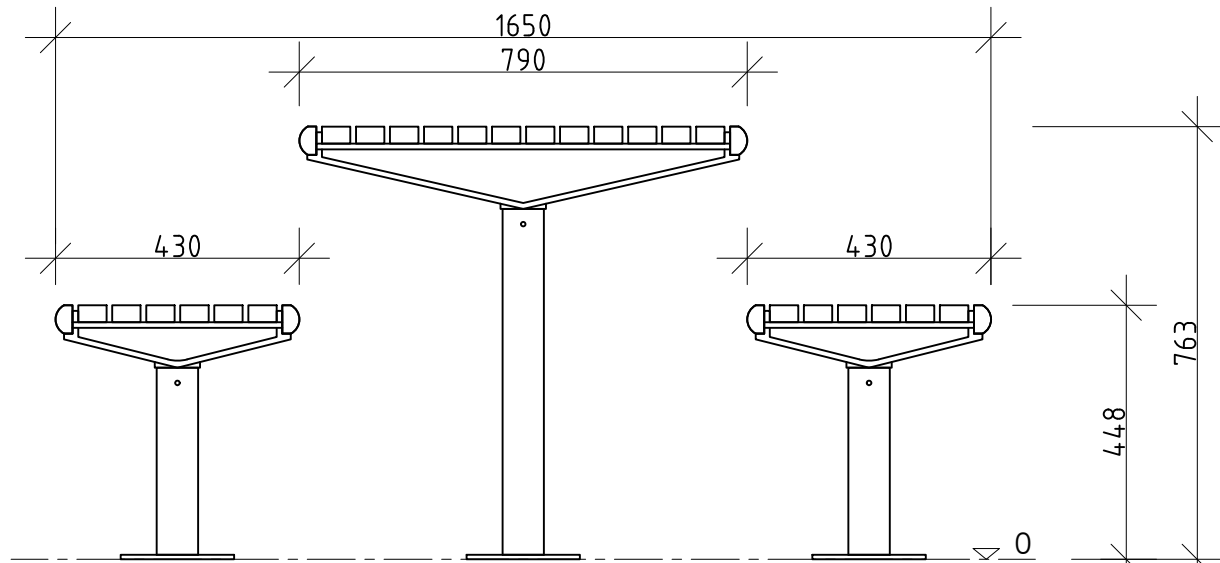


1 PLAN
1:15 @ A3

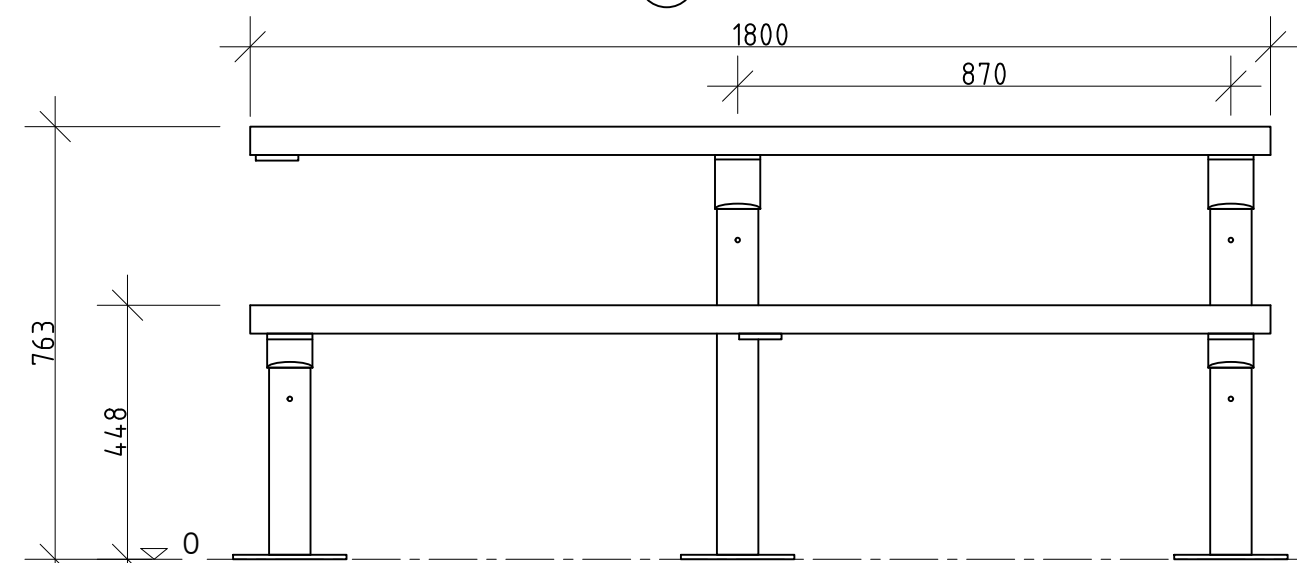


Slats available in:
Hardwood Timber (FFSA004011)
Aluminium (FFSA004011A)

4 PERSPECTIVE
N.T.S.



2 END ELEVATION
1:15 @ A3



3 FRONT ELEVATION
1:15 @ A3

REVISION	DATE:	DRAWN BY:
6		
5		
4		
3		
2		
1		

FURPHY FOUNDRY PTY LTD
 THIS DOCUMENT IS AND SHALL REMAIN THE PROPERTY OF FURPHY FOUNDRY. UNAUTHORISED USE OF THIS DOCUMENT IN ANY FORM IS PROHIBITED.

Furphy Foundry Pty Ltd PH: (03) 5831 2777
 A.B.N. 24 007 195 913 FAX: (03) 5831 2681
 21 Drummond Rd, www.furphyfoundry.com.au
 Shepparton VIC 3630 sales@furphyfoundry.com.au

CLIENT NAME FURPHY FOUNDRY	PROJECT No. FFSA004011	PAGE A3
PROJECT PROMENADE PICNIC SETTING - BOLT DOWN (WCA ONE END)	DATE: 17-04-19	DRAWN PS
DRAWING TITLE PRELIMINARY	DRAWING No. 037	SCALE NOTED
	SHEET No. 001	REV. 1

PROJECT No. FFSA004011	PAGE A3
DATE: 17-04-19	DRAWN PS
DRAWING No. 037	SCALE NOTED
SHEET No. 001	REV. 1