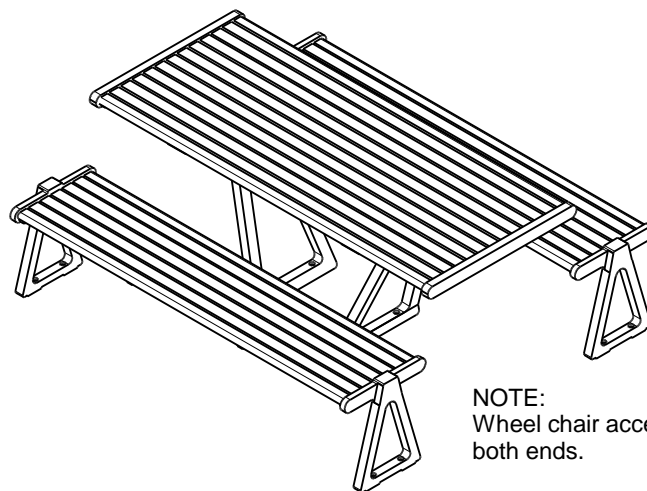
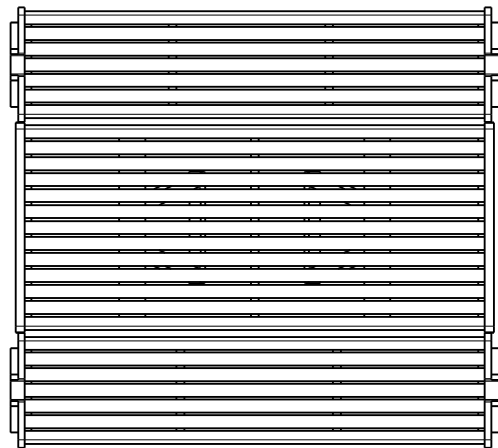




Quality
ISO 9001
SAI GLOBAL



NOTE:
Wheel chair access
both ends.

SPECIFICATION:

MATERIALS:

Main construction - Cast Aluminium
Slats - Harwood Timber
Strap - Stainless Steel

DIMENSIONS:

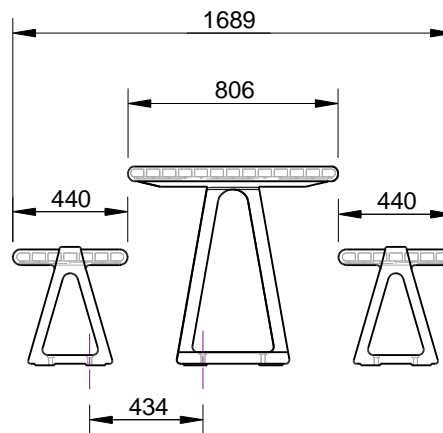
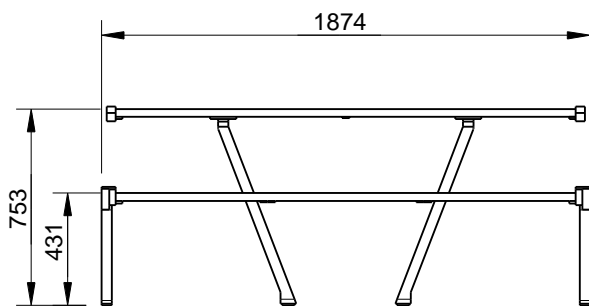
mm unless otherwise stated

FINISH:

Castings - Milled or Powder coat (optional)
Timbers - Oil Based

GROUND FIXINGS:

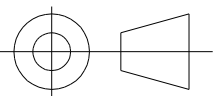
Bolt down



© copyright

CONFIDENTIAL

| REVISION # | DESCRIPTION | BY | DATE | DRAWN | DRAWN DATE | CHECKED | CHECKED DATE | SCALE | A4 |
|------------|---------------------|-----|---------|-------|------------|---------|--------------|-------|----|
| | | | | | | | | | |
| 2 | FULL PRODUCT REVIEW | RBC | 26.6.14 | | | | | | |
| 3 | | | | | | | | | |
| 4 | | | | | | | | | |
| 5 | | | | | | | | | |



DELTA SETTING SPEC
FFSA004004
REV. 2
SHEET 1 OF 2